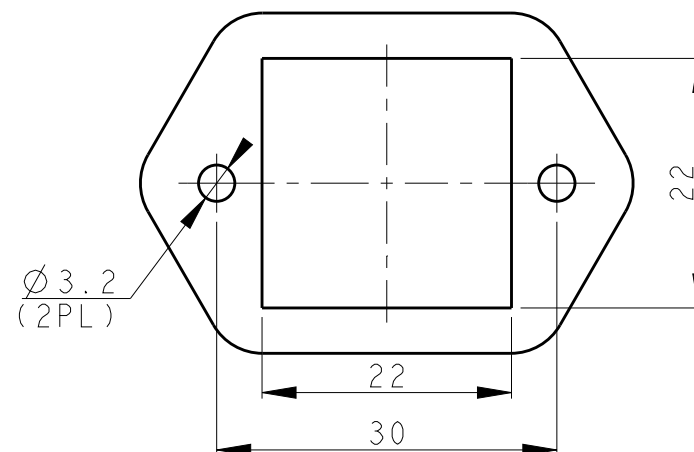
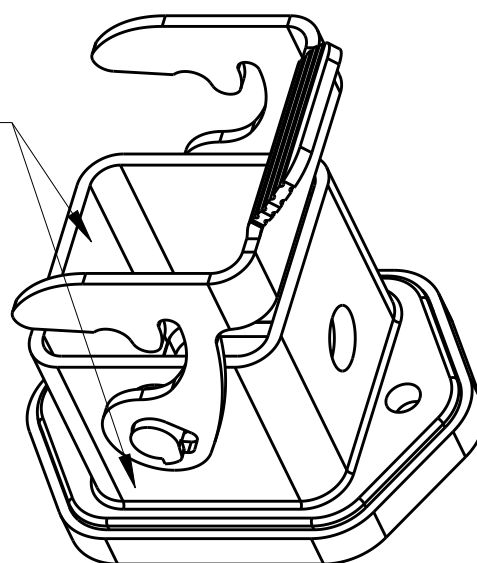
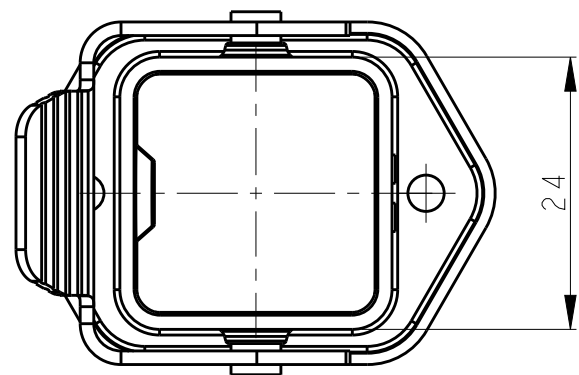


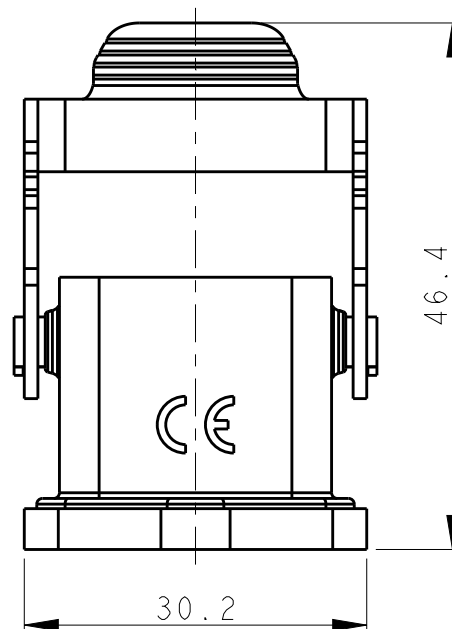
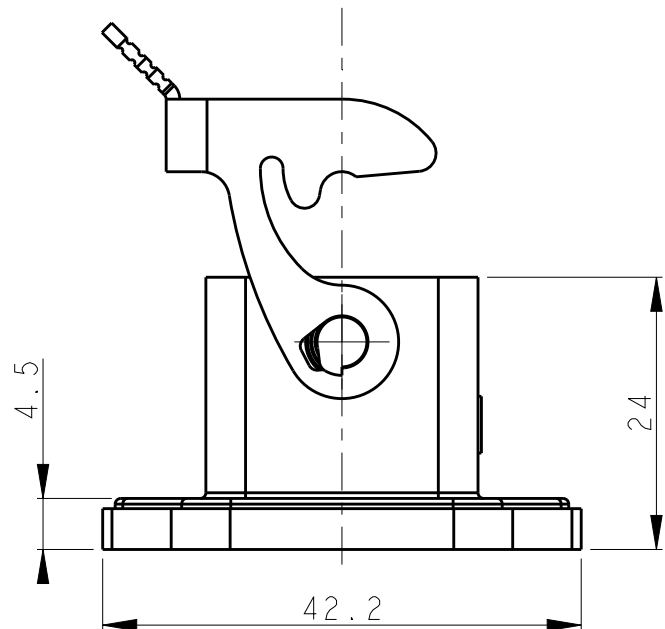
THIS DRAWING IS UNPUBLISHED. RELEASED FOR PUBLICATION 20
 © COPYRIGHT 20 BY - ALL RIGHTS RESERVED.

REVISIONS					
P	LTR	DESCRIPTION	DATE	DWN	APVD
	A	INITIAL RELEASE	22APR2015	DL	CW
	B	ECR-20-007782	24NOV2020	BS	CW

壳体内外均喷涂
 COATING INSIDE AND OUTSIDE



PANNEL CUT OUT

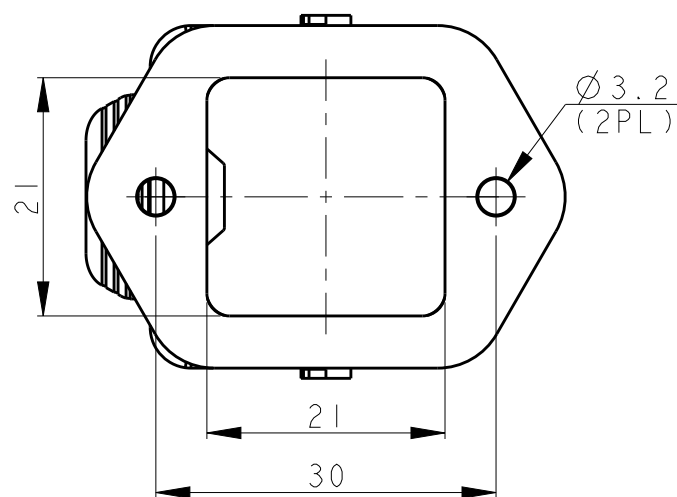


NOTES:


- 1. TECHNICAL CHARACTERISTICS:
 BODY MATERIAL: DIE CAST ZINC ALLOY
 SURFACE TREATMENT: POWDER-COATED, GRAY
 DEGREE OF PROTECTION: IP65 (MATED)

注释:

- 1. 技术参数:
 主体材料: 锌合金
 表面处理: 粉末喷涂, 灰色
 防护等级: IP65(配合)



T1509031000-000	H3A-MAG-S
ASSEMBLY PART NUMBER	ASSEMBLY PART DESCRIPTION

THIS DRAWING IS A CONTROLLED DOCUMENT.		DWN 22APR2015 DAVID LI	 TE Connectivity NAME H3A-MAG-S			
DIMENSIONS: mm		CHK 22APR2015 CHRIS WANG				
TOLERANCES UNLESS OTHERWISE SPECIFIED:		APVD 22APR2015 XU XIANG				
0 PLC ±- 1 PLC ±- 2 PLC ±- 3 PLC ±- 4 PLC ±- ANGLES ±-		PRODUCT SPEC 108-137012				
MATERIAL	FINISH	APPLICATION SPEC 114-137012	SIZE A3	CAGE CODE -	DRAWING NO. ©-T1509031000000	RESTRICTED TO -
CUSTOMER DRAWING			SCALE 3:2	SHEET 1 OF 1	REV B	