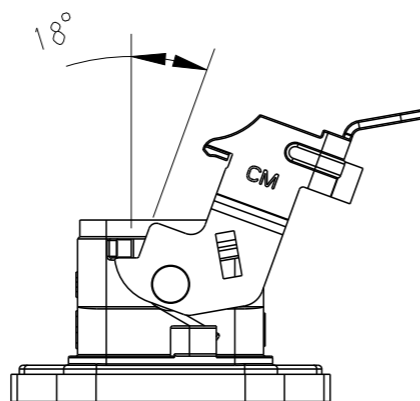
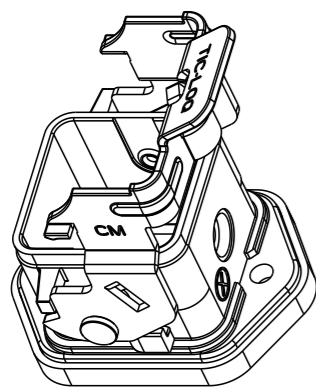


REVISIONS

P	LTR	DESCRIPTION	DATE	DWN	APVD
	A	INITIAL RELEASE	20DEC2021	AD	CW
	A1	ECR-22-160918	12DEC2022	AD	CW
	B	ECR-23-193205	22FEB2024	AD	GY



TIC-LOQ LOCKING LEVER OPENING 18° MAX.  
TIC-LOQ锁扣最大打开角度为18°

NOTES:

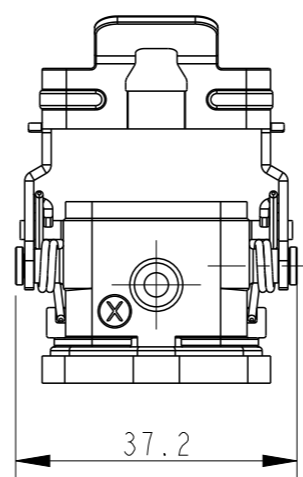
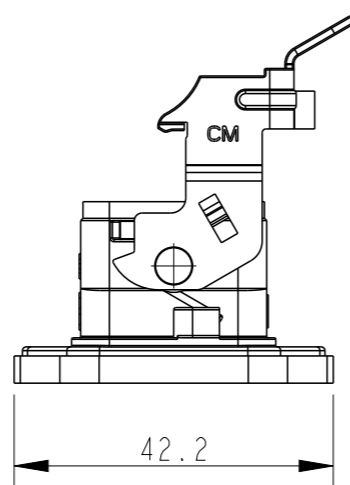
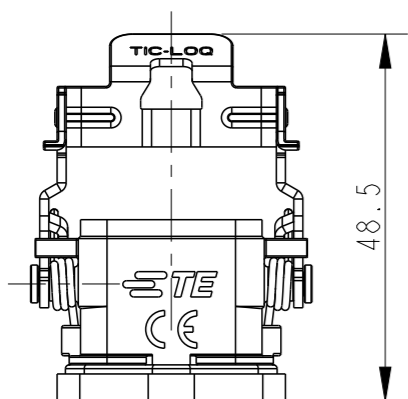
1. TECHNICAL CHARACTERISTICS:  
HOUSING MATERIAL: DIE CAST ZINC ALLOY  
SURFACE: HOUSING POWDER COATED, GREY AND TIC-LOQ LOCKING LEVER WITH BLACK ZINC PLATED  
SEAL MATERIAL: RUBBER  
DEGREE OF PROTECTION: IP65 (MATED)

2. RESTRICTED MATING HOOD:  
SIDE ENTRY: T1319032111-000, T1319032120-000  
TOP ENTRY: T1329032111-000, T1329032120-000, T1329030125-000.

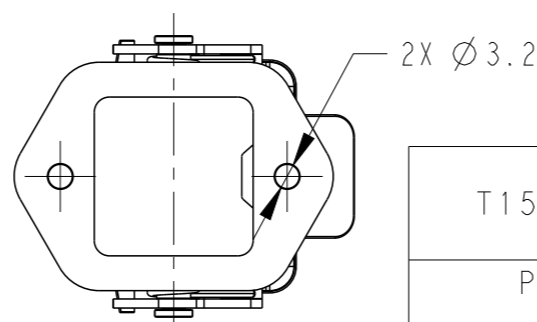
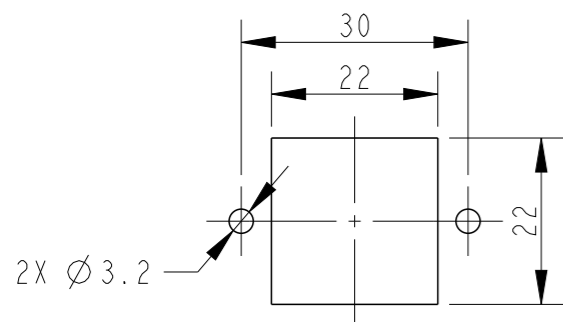
注释:

1. 技术参数:  
下壳材料: 锌合金;  
表面处理: 下壳灰色粉末涂层, 电镀黑锌锁扣;  
密封材料: 橡胶;  
防护等级: IP65(配合).

2. 限定互配上壳:  
侧出上壳: T1319032111-000, T1319032120-000;  
顶出上壳: T1329032111-000, T1329032120-000, T1329030125-000.



PANNEL CUT OUT



T1509034500-000	H3A-MAG-TL-CM	H3A HOUSING, BULKHEAD MOUNTED, CROSS MATING METAL TIC-LOQ LOCKING, SEALING, POWDER COATED, GRAY H3A下壳, 开孔安装, 交叉互配金属锁扣, 带密封垫, 灰色粉末喷涂			
PART NUMBER 料号	DESCRIPTION 描述				
THIS DRAWING IS A CONTROLLED DOCUMENT.		DWN Alan Dong 20DEC2021	 TE Connectivity NAME H3A-MAG-TL CROSS MATING		
DIMENSIONS: mm		CHK Gino Yao 20DEC2021			
TOLERANCES UNLESS OTHERWISE SPECIFIED:		APVD Chris Wang 20DEC2021			
0 PLC ±- 1 PLC ±- 2 PLC ±- 3 PLC ±- 4 PLC ±- ANGLES ±-		PRODUCT SPEC 108-137605			
MATERIAL	FINISH	APPLICATION SPEC 114-137605	WEIGHT	SIZE A3	CAGE CODE 00779
-	-	CUSTOMER DRAWING	SCALE 1:1	DRAWING NO C-T1509034500000	RESTRICTED TO -
			SHEET 1 OF 1	REV B	