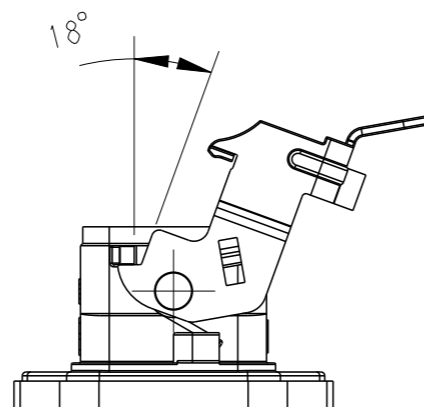
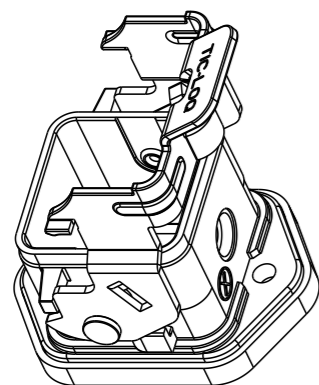


REVISIONS

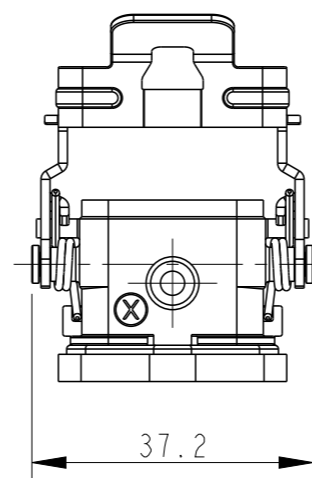
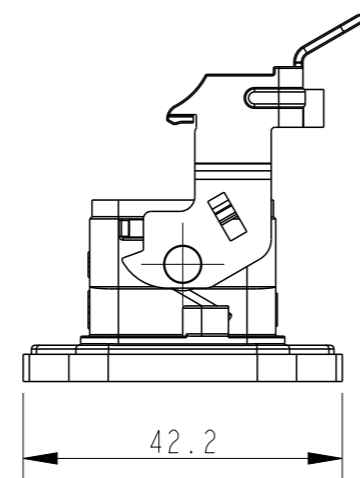
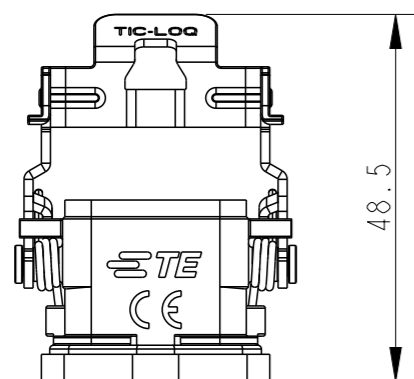
P	LTR	DESCRIPTION	DATE	DWN	APVD
	A	INITIAL RELEASE	21DEC2021	AD	CW
	A1	ECR-22-160918	12DEC2022	AD	CW
	B	ECR-23-193205	22FEB2024	AD	GY



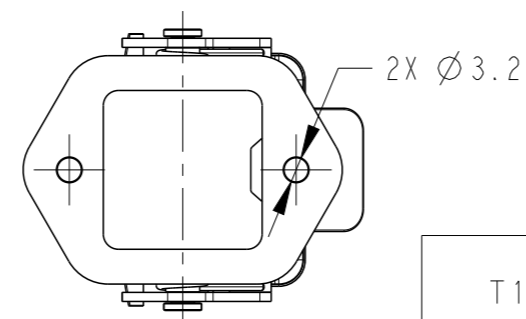
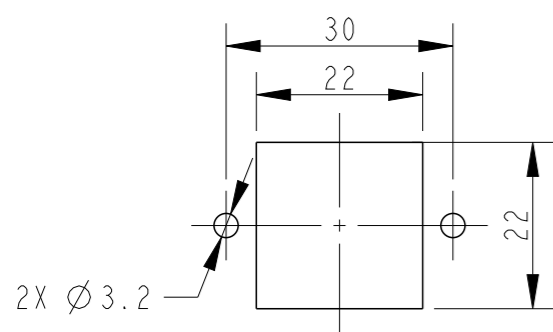
TIC-LOQ LOCKING LEVER OPENING 18° MAX.  
TIC-LOQ锁扣最大打开角度为18°


NOTES:  
1. TECHNICAL CHARACTERISTICS:  
HOUSING MATERIAL: DIE CAST ZINC ALLOY  
SURFACE: HOUSING POWDER COATED, GREY AND TIC-LOQ LOCKING LEVER WITH COLOR ZINC PLATED  
SEAL MATERIAL: RUBBER  
DEGREE OF PROTECTION: IP65 (MATED)

注释:  
1. 技术参数:  
下壳材料: 锌合金;  
表面处理: 下壳灰色粉末涂层, 电镀彩锌锁扣;  
密封材料: 橡胶;  
防护等级: IP65(配合)



PANNEL CUT OUT



T1509034600-000	H3A-MAG-TL-ST	H3A HOUSING, BULKHEAD MOUNTED, STANDARD VERSION METAL TIC-LOQ LOCKING, SEALING, POWDER COATED, GRAY H3A下壳, 开孔安装, 标准版本金属锁扣, 带密封垫, 灰色粉末喷涂			
PART NUMBER 料号	DESCRIPTION 描述				
THIS DRAWING IS A CONTROLLED DOCUMENT.		DWN Alan Dong 21DEC2021	 TE Connectivity NAME H3A-MAG-TL STANDARD VERSION		
DIMENSIONS: mm		CHK Gino Yao 21DEC2021			
TOLERANCES UNLESS OTHERWISE SPECIFIED:		APVD Chris Wang 21DEC2021			
0 PLC ±- 1 PLC ±- 2 PLC ±- 3 PLC ±- 4 PLC ±- ANGLES ±-		PRODUCT SPEC 108-137605			
MATERIAL	FINISH	APPLICATION SPEC 114-137605	WEIGHT	SIZE A3	CAGE CODE 00779
-	-	CUSTOMER DRAWING	SCALE 1:1	DRAWING NO T1509034600000	RESTRICTED TO -
			SHEET 1 OF 1	REV B	