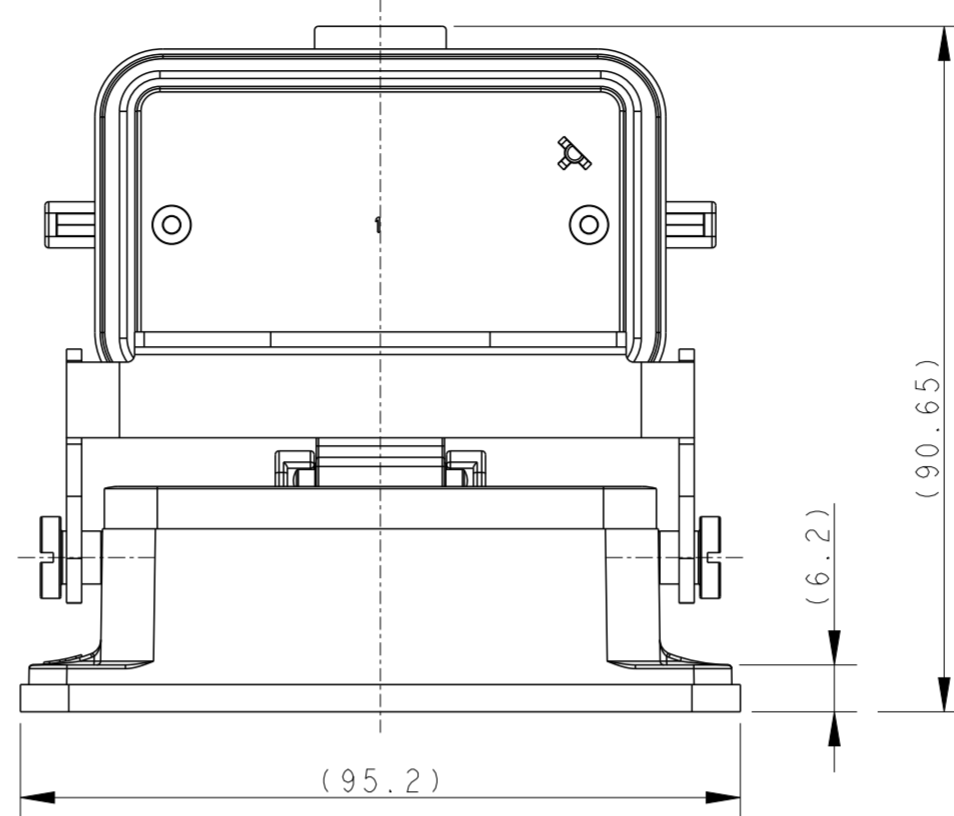
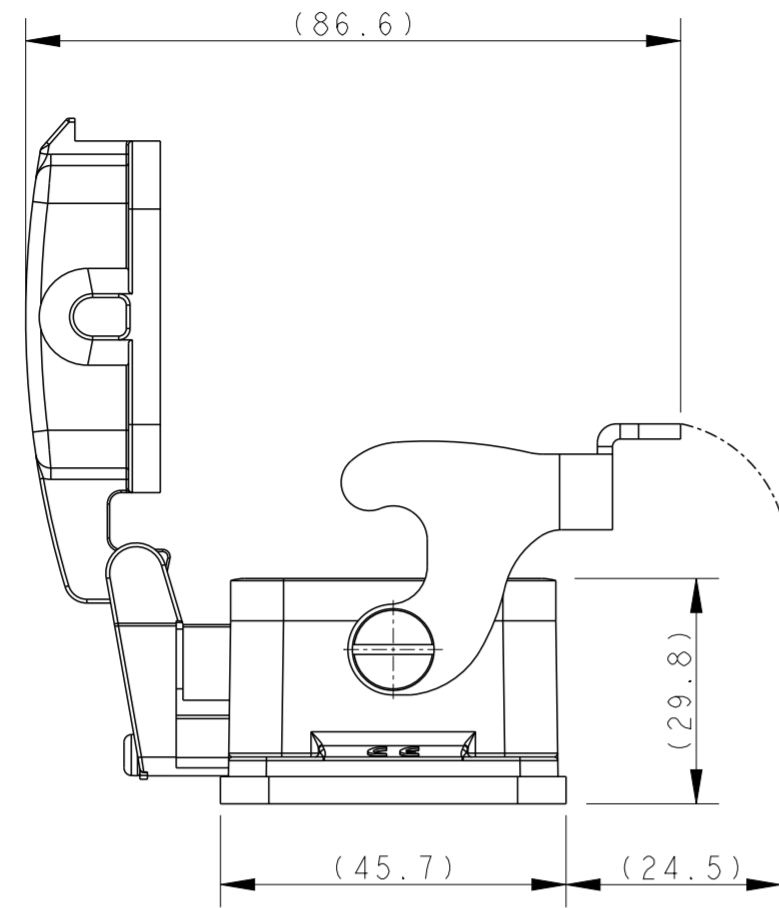


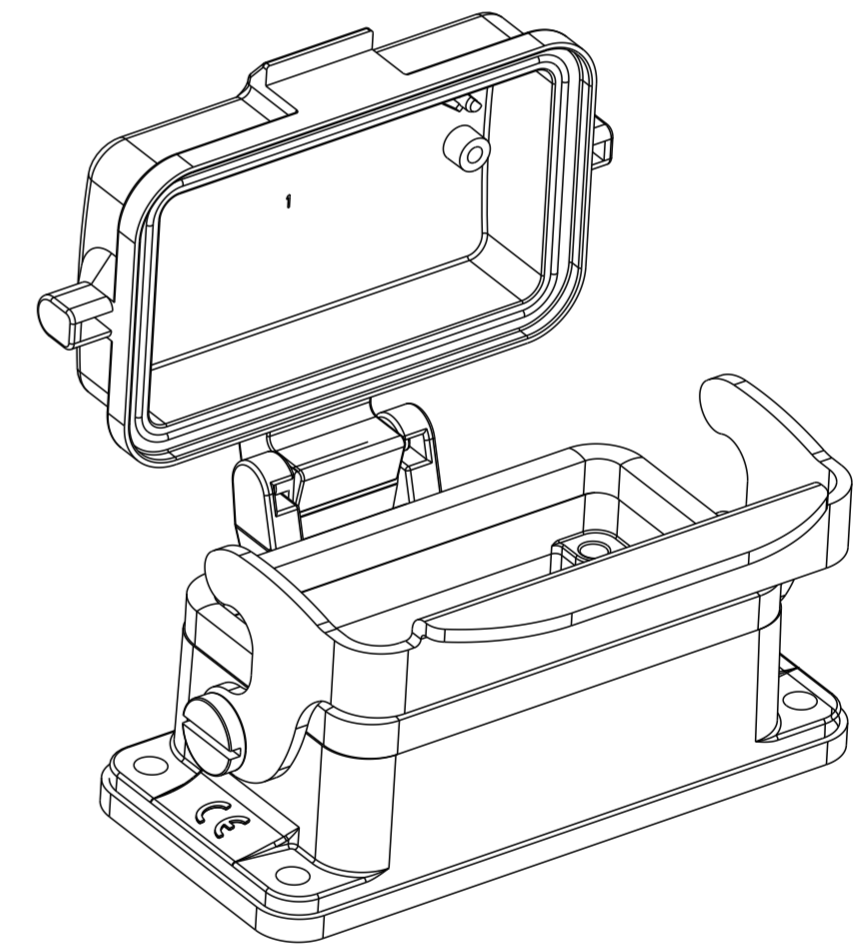
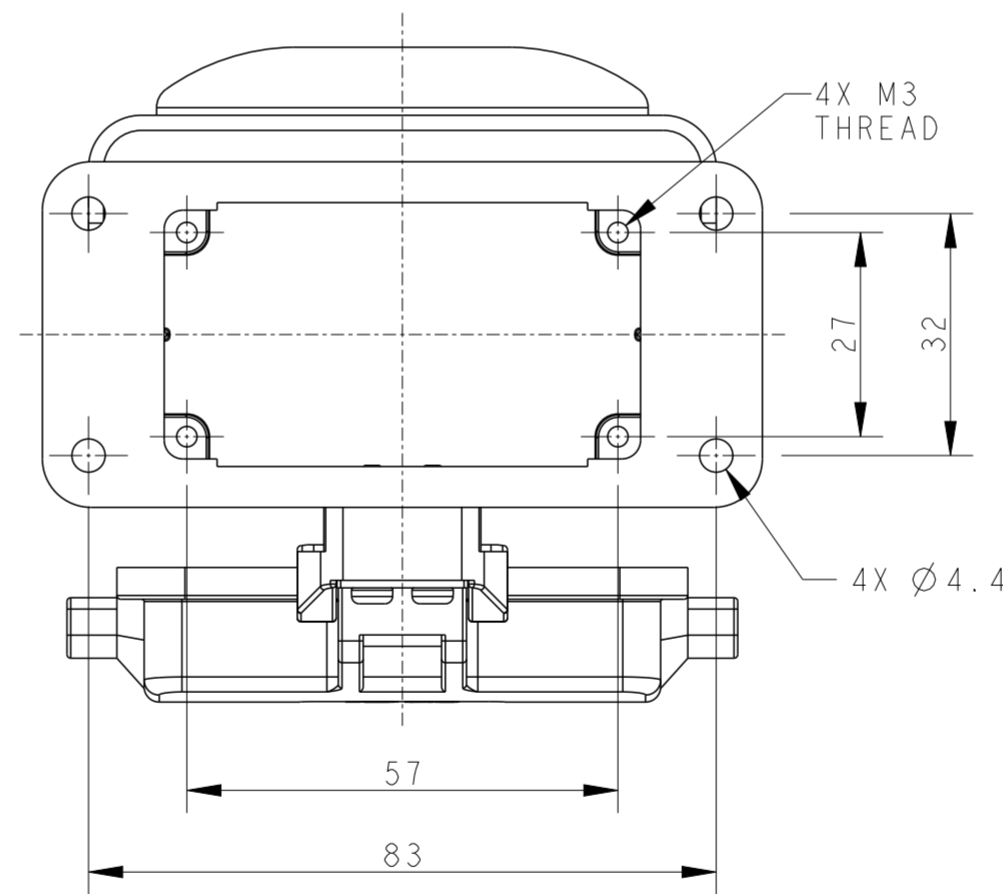
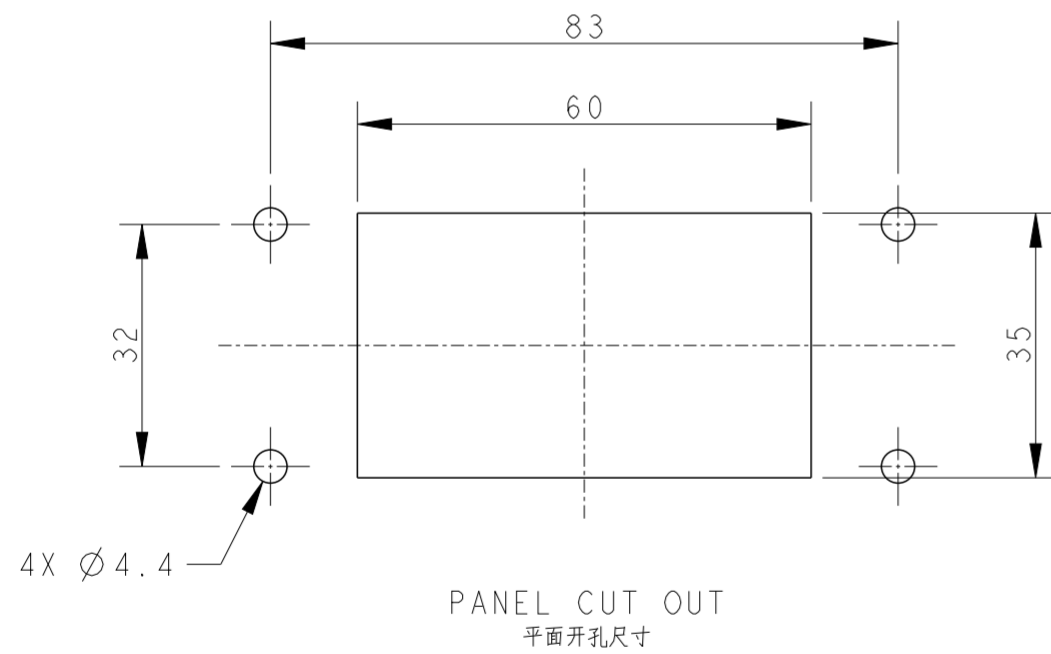
THIS DRAWING IS UNPUBLISHED. RELEASED FOR PUBLICATION 20  
 © COPYRIGHT 20 BY - ALL RIGHTS RESERVED.

REVISIONS					
P	LTR	DESCRIPTION	DATE	DWN	APVD
A		INITIAL	28OCT2017	YC	CW
B		ECR-20-008181	11JAN2021	WOR	CW
C		ECR-23-195672	23MAY2024	BS	CW



NOTES:  
 1. TECHNICAL CHARACTERISTICS:  
 HOUSING MATERIAL: DIE CAST ALUMINIUM ALLOY  
 SURFACE: POWDER COATED, GREY  
 DEGREE OF PROTECTION: IP65 (MATED)

注释:  
 1. 技术参数:  
 下壳材料: 铝合金  
 表面处理: 灰色粉末喷涂  
 防护等级: IP65(配合)



T1510103003-000	H10B-AD-LB	H10B HOUSING, BULKHEAD MOUNTED, METAL SINGLE LOCKING SHORT TYPE, PLASTIC PROTECTION COVER, POWDER COATED, GREY H10B下壳, 开孔安装, 彩锌单扣短款, 带塑料保护盖, 灰色粉末喷涂
PART NUMBER 料号	PART DESCRIPTION 产品描述	

THIS DRAWING IS A CONTROLLED DOCUMENT.		DWN YORK CHEN 28OCT2017	TE Connectivity	
DIMENSIONS: mm		CHK GINO YAO 28OCT2017		
TOLERANCES UNLESS OTHERWISE SPECIFIED:		APVD CHRIS WANG 28OCT2017	NAME H10B-AD-LB	
0 PLC ±	1 PLC ±	PRODUCT SPEC 108-137013	SIZE CAGE CODE DRAWING NO RESTRICTED TO	
2 PLC ±	3 PLC ±	APPLICATION SPEC 114-137013	A200779 C-T1510103003000	
4 PLC ±	ANGLES ±	WEIGHT -	SCALE 1:1 SHEET 1 OF 1 REV C	
MATERIAL -	FINISH -	CUSTOMER DRAWING		