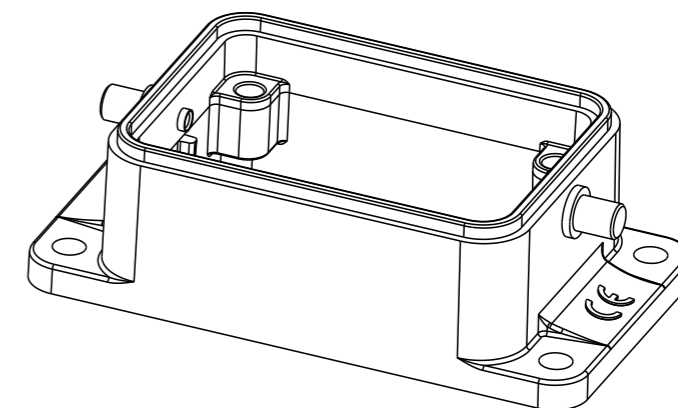
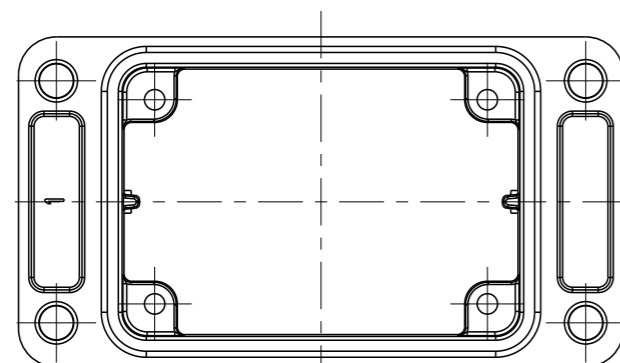
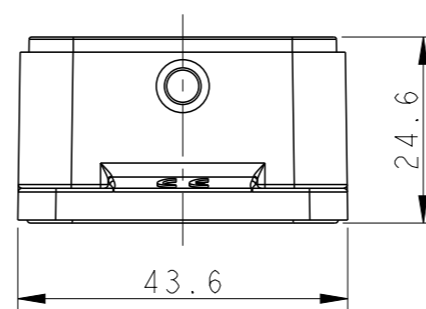
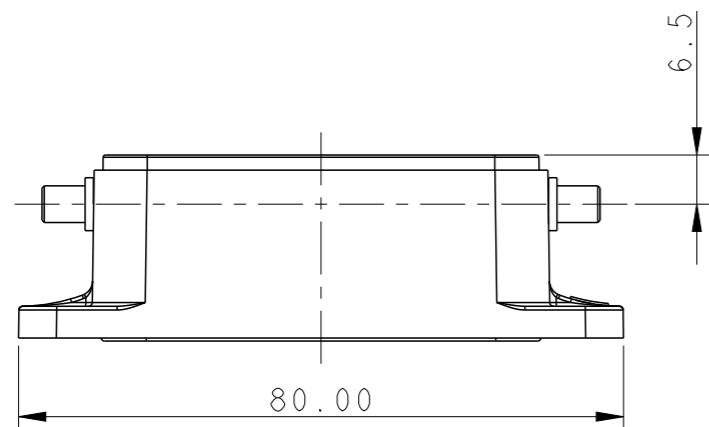
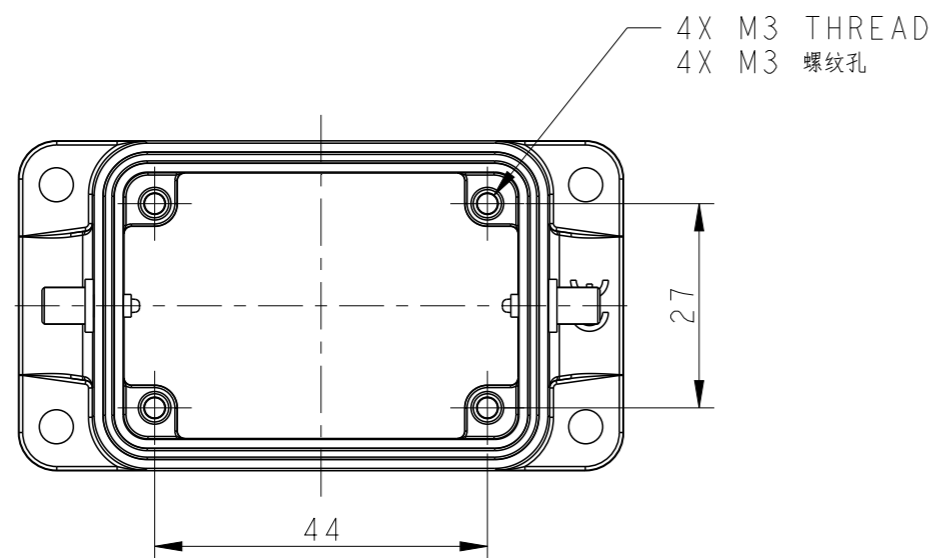


P	LTR	DESCRIPTION	DATE	DWN	APVD
A		INITIAL RELEASE	09APR2020	DL	CW
B		ECR-20-007968	27SEP2020	WQR	CW



NOTES:
1. TECHNICAL CHARACTERISTICS:
HOUSING MATERIAL: DIE CAST ALUMINIUM ALLOY
SURFACE: POWDER COATED, GREY

注释:
1. 技术参数:
壳体材料: 铝合金
表面处理: 灰色粉末喷涂

T1520060000-001	H6B-AG-RO	H6B HOUSING, BULKHEAD MOUNTED, 2 EAR, POWDER COATED, GREY, WITHOUT SEAL AND GASKET H6B下壳, 开孔安装, 2耳, 灰色粉末喷涂, 无密封件
PART NUMBER 成品料号	DESCRIPTION 描述	

THIS DRAWING IS A CONTROLLED DOCUMENT.		DWN 09APR2020 DAVID LI														
DIMENSIONS: mm		CHK 09APR2020 GINO YAO														
TOLERANCES UNLESS OTHERWISE SPECIFIED:		APVD 09APR2020 CHRIS WANG	NAME H6B-AG-RO													
<table border="1"> <tr> <td>0 PLC</td> <td>±-</td> </tr> <tr> <td>1 PLC</td> <td>±-</td> </tr> <tr> <td>2 PLC</td> <td>±-</td> </tr> <tr> <td>3 PLC</td> <td>±-</td> </tr> <tr> <td>4 PLC</td> <td>±-</td> </tr> <tr> <td>ANGLES</td> <td>±-</td> </tr> </table>		0 PLC	±-	1 PLC	±-	2 PLC	±-	3 PLC	±-	4 PLC	±-	ANGLES	±-	PRODUCT SPEC -	RESTRICTED TO -	
0 PLC	±-															
1 PLC	±-															
2 PLC	±-															
3 PLC	±-															
4 PLC	±-															
ANGLES	±-															
MATERIAL -		FINISH -	APPLICATION SPEC -	SIZE A3												
		WEIGHT -	CAGE CODE 00779	DRAWING NO T1520060000001												
CUSTOMER DRAWING			SCALE 1:1	SHEET 1 OF 1												
			REV B													