

THIS DRAWING IS UNPUBLISHED.

RELEASED FOR PUBLICATION

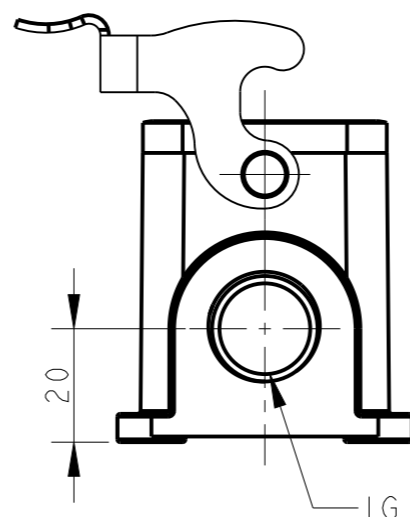
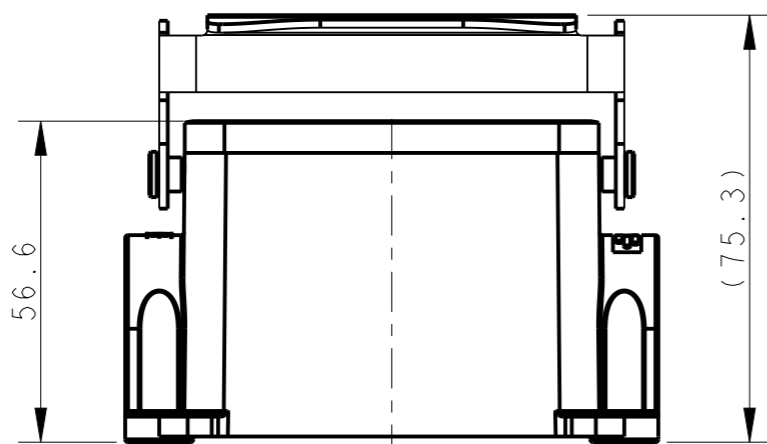
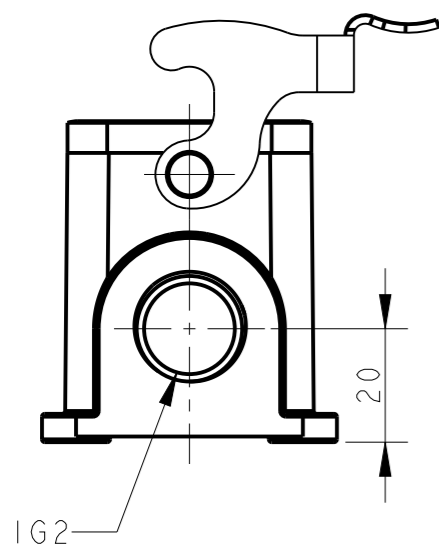
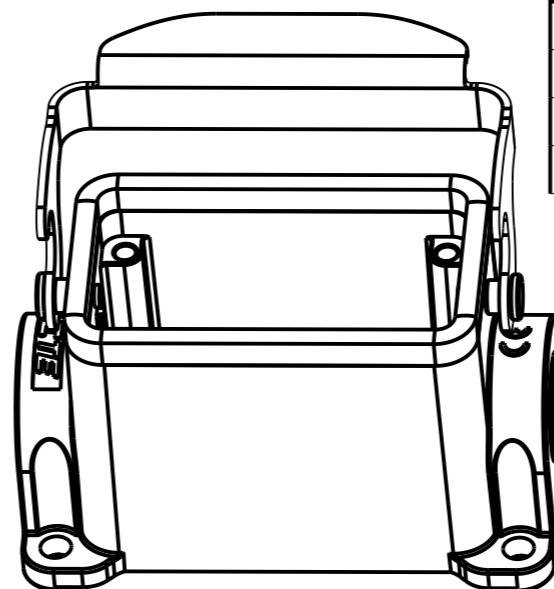
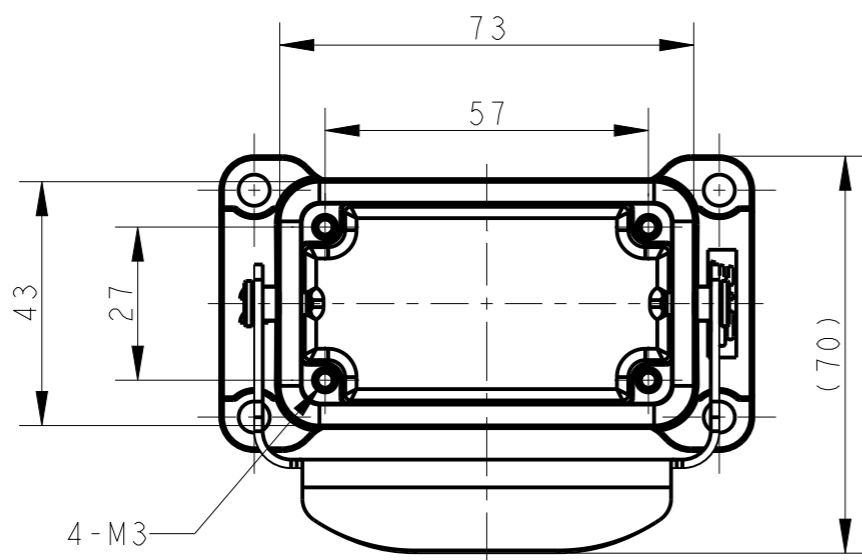
20

© COPYRIGHT 20 BY -

ALL RIGHTS RESERVED.

REVISIONS

P	LTR	DESCRIPTION	DATE	DWN	APVD
A		INITIAL RELEASE	08JUL2015	DL	CW
B		ECR-20-008181	14JUL2020	WQR	CW

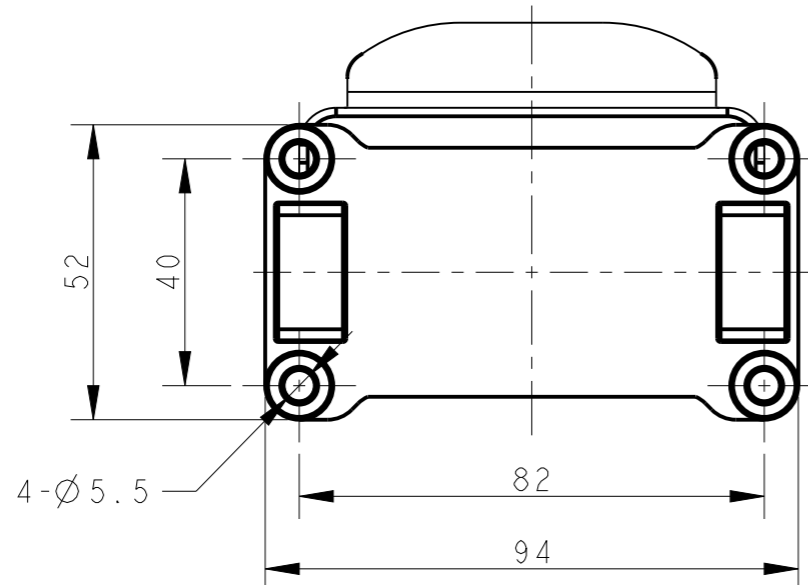


NOTES:

- 1. TECHNICAL CHARACTERISTICS:  
 BODY MATERIAL: DIE CAST ALUMINIUM ALLOY  
 SURFACE TREATMENT: POWDER-COATED, GRAY  
 DEGREE OF PROTECTION: IP65 (MATED)

注释:

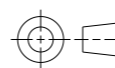
- 1. 技术参数:  
 主体材料: 铝合金  
 表面处理: 粉末喷涂, 灰色  
 防护等级: IP65(配合)



TI610102116-000	H10B-SGRS-LB-PG16	PG16	-
TI610102120-000	H10B-SGRS-LB-M20	M20	-
TI610102121-000	H10B-SGRS-LB-PG21	PG21	-
TI610102125-000	H10B-SGRS-LB-M25	M25	-
TI610102216-000	H10B-SGRS-LB-2PG16	PG16	PG16
TI610102220-000	H10B-SGRS-LB-2M20	M20	M20
TI610102221-000	H10B-SGRS-LB-2PG21	PG21	PG21
ASSEMBLY PART NUMBER	ASSEMBLY PART DESCRIPTION	IG1	IG2

THIS DRAWING IS A CONTROLLED DOCUMENT.

DIMENSIONS: mm



TOLERANCES UNLESS OTHERWISE SPECIFIED:

0 PLC	±
1 PLC	±
2 PLC	±
3 PLC	±
4 PLC	±
ANGLES	±

MATERIAL TBD

FINISH -

DWN 08JUL2015

DAVID LI

CHK 08JUL2015

CHRIS WANG

APVD 08JUL2015

XU XIANG

PRODUCT SPEC

108-137013

APPLICATION SPEC

114-137013

WEIGHT -

CUSTOMER DRAWING

**STE** TE Connectivity

NAME H10B-SGRS-LB-PG/M

SIZE	CAGE CODE	DRAWING NO	RESTRICTED TO
A3	-	©-TI610102XXX000	

SCALE 3:4 SHEET 1 OF 1 REV B