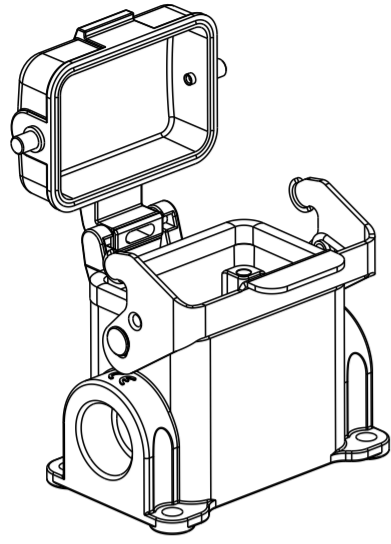
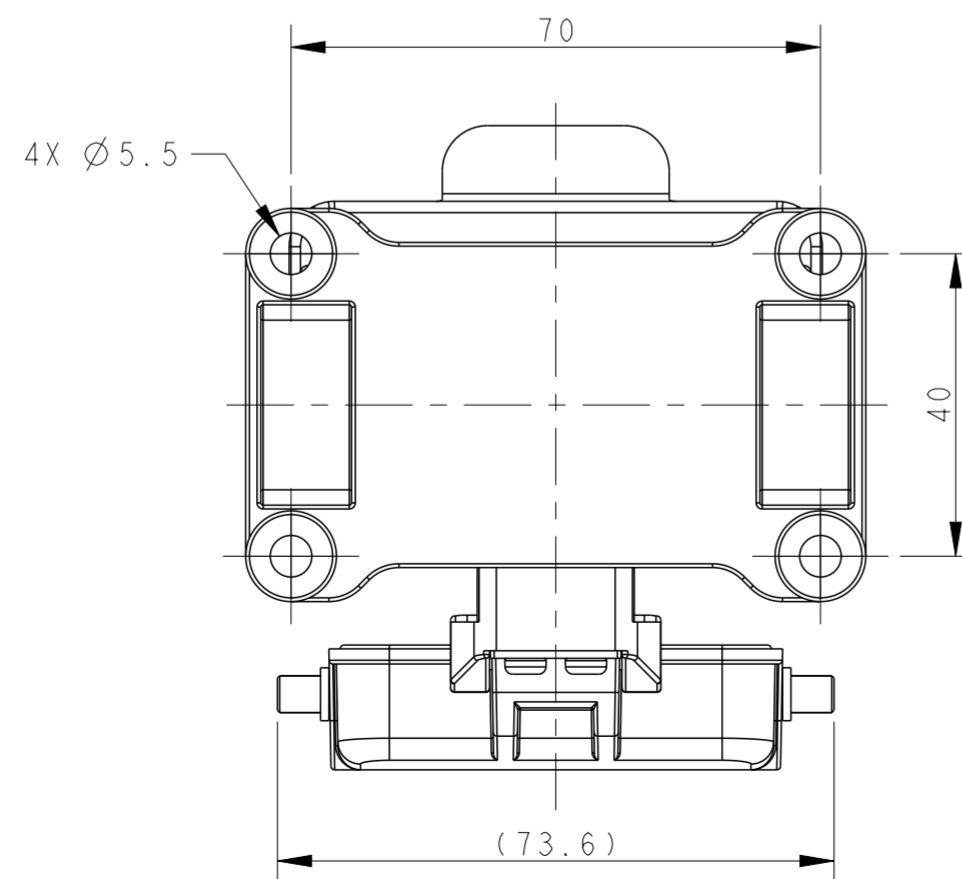
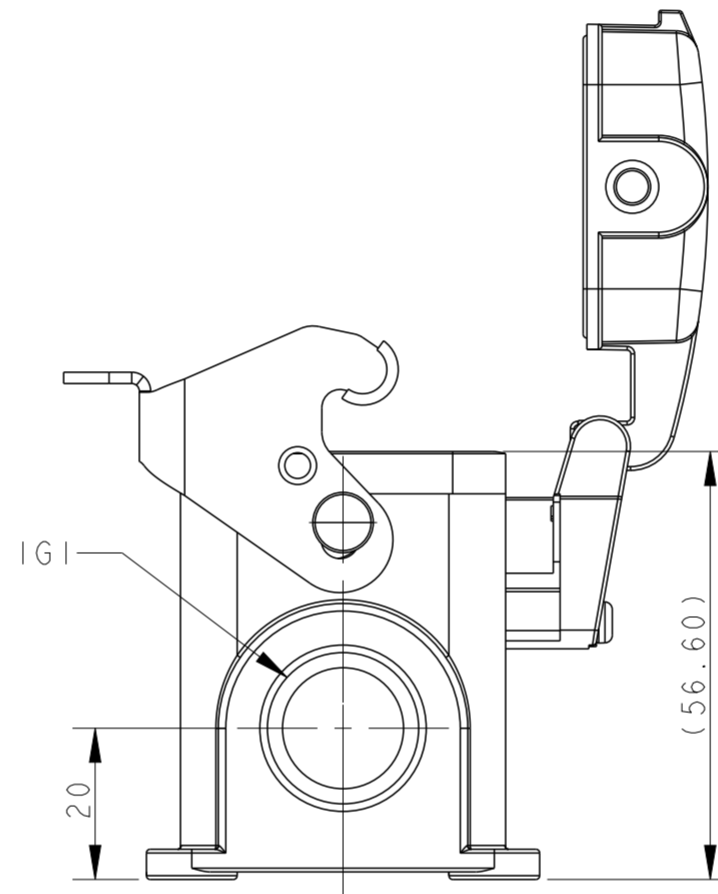
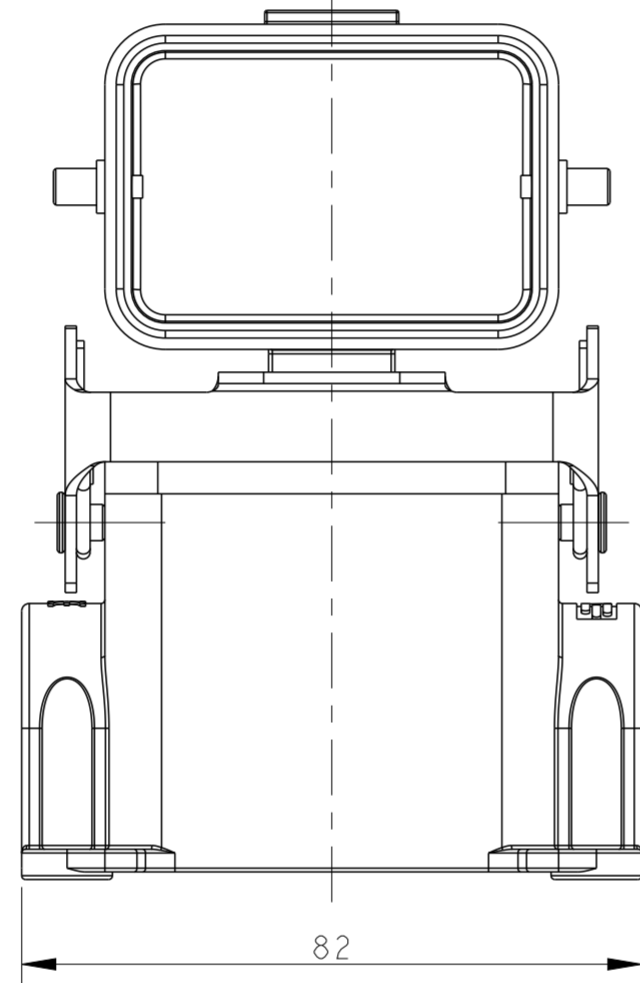
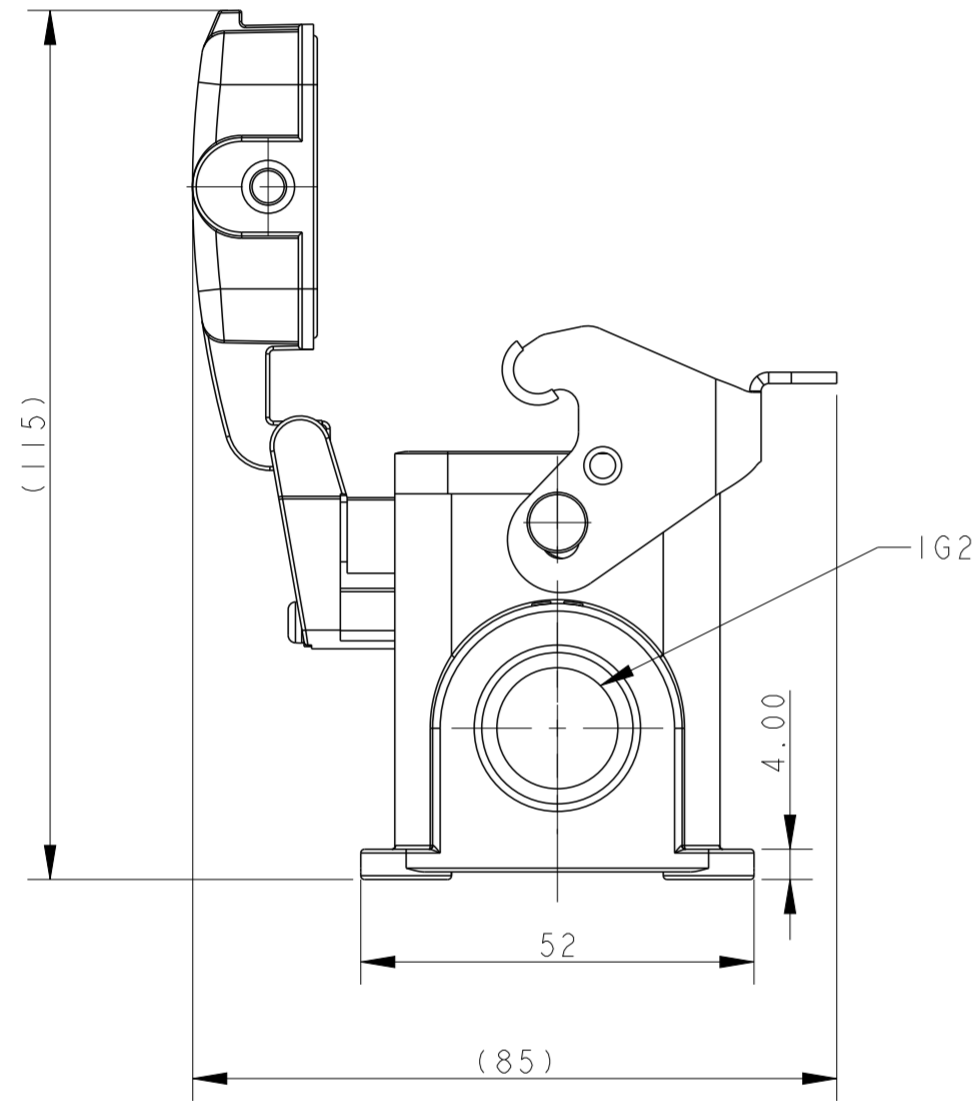
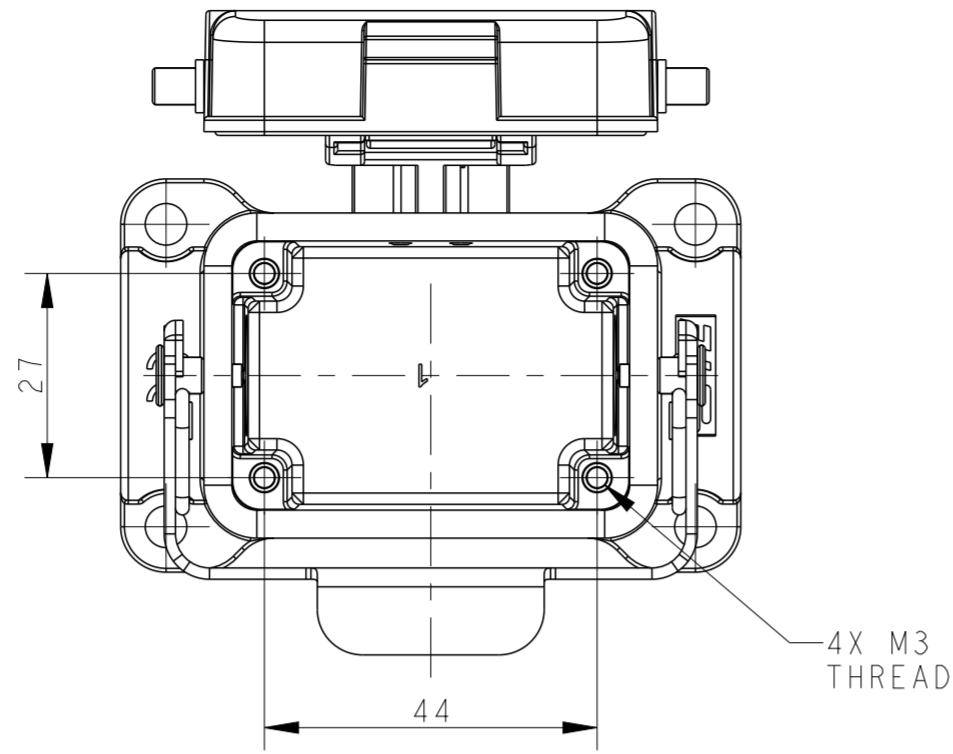


THIS DRAWING IS UNPUBLISHED. RELEASED FOR PUBLICATION 20  
 © COPYRIGHT 20 BY - ALL RIGHTS RESERVED.

REVISIONS				
P	LTR	DESCRIPTION	DATE	APVD
A		INITIAL RELEASE	25MAR2019	AL CW
B		ECR-20-007968	27SEP2020	WOR CW



SCALE 1:2



NOTES:  
 1. TECHNICAL CHARACTERISTICS:  
 HOUSING MATERIAL: DIE CAST ALUMINIUM ALLOY  
 SURFACE: POWDER COATED, GREY  
 DEGREE OF PROTECTION: IP65 (MATED)

注释:  
 1. 技术参数:  
 表面安装下壳材料: 铝合金  
 表面处理: 粉末涂层, 灰色  
 防护等级: IP65(配合)

T1620064120-000	H6B-SDRM-M20	H6B HOUSING, SURFACE MOUNTED, METAL SINGLE LOCKING, M20, METAL PROTECTION COVER, POWDER COATED, GREY H6B下壳, 表面安装, 彩锌单扣, M20, 带金属保护盖, 灰色粉末喷涂	M20	-
PART NUMBER 零件料号		PART DESCRIPTION 零件描述		1G1 1G2 螺纹孔 1 螺纹孔 2

THIS DRAWING IS A CONTROLLED DOCUMENT.		DWN ANDY LIN 25MAR2019	<b>STE</b> TE Connectivity	
DIMENSIONS: mm		CHK GINO YAO 25MAR2019		
TOLERANCES UNLESS OTHERWISE SPECIFIED:		APVD CHRIS WANG 25MAR2019	NAME H6B-SDRM-M/PG	
0 PLC ±-		PRODUCT SPEC 108-137013	SIZE A200779	
1 PLC ±-		APPLICATION SPEC 114-137013	CAGE CODE C-T162X06XXXX000	
2 PLC ±-		WEIGHT -	DRAWING NO -	
3 PLC ±-		RESTRICTED TO -		
4 PLC ±-		SCALE 1:1		
ANGLES ±-		SHEET OF		
FINISH -		REV B		
MATERIAL -		Customer Drawing		