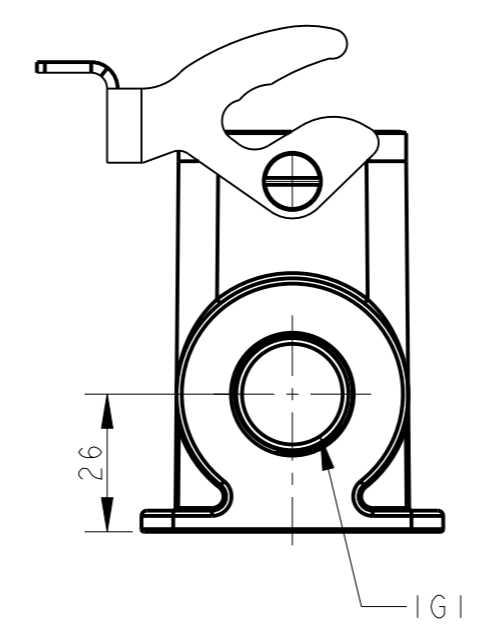
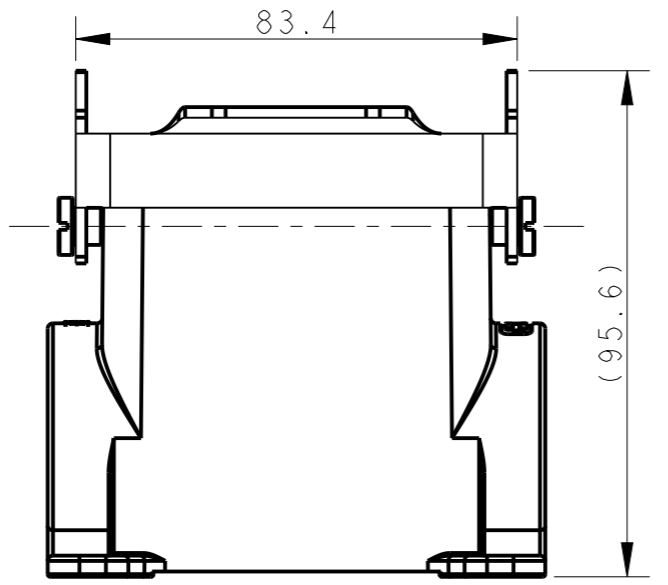
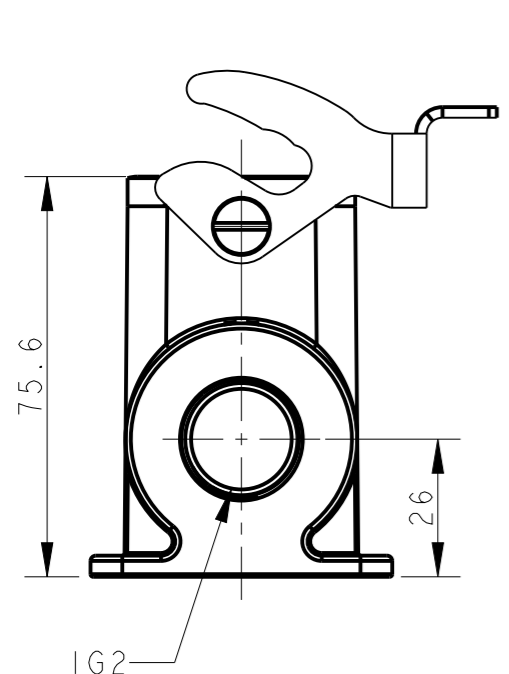
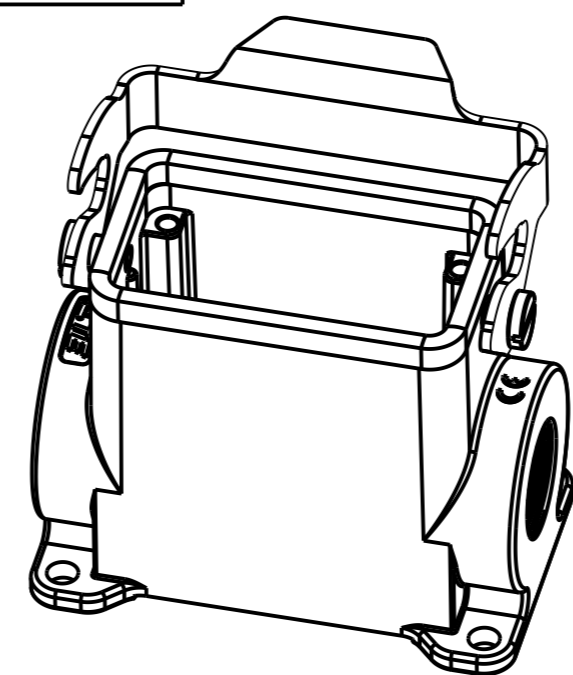
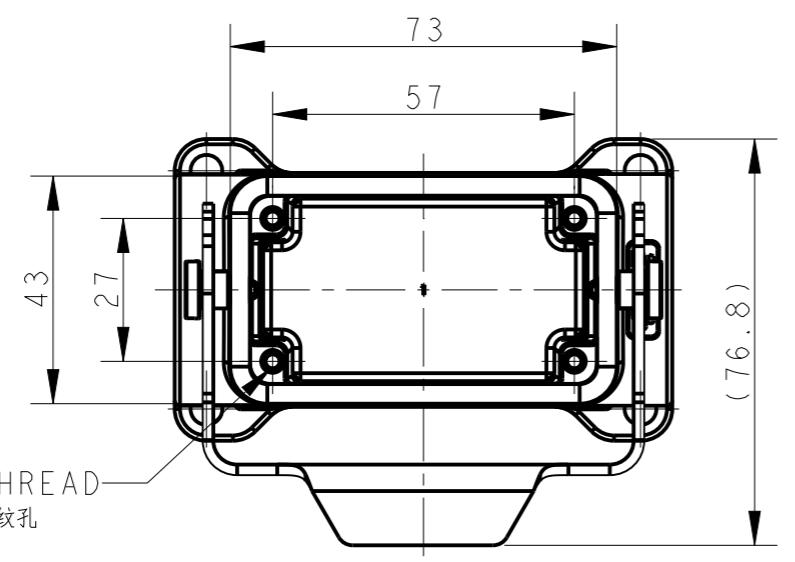


THIS DRAWING IS UNPUBLISHED. RELEASED FOR PUBLICATION 20  
 © COPYRIGHT 20 BY - ALL RIGHTS RESERVED.

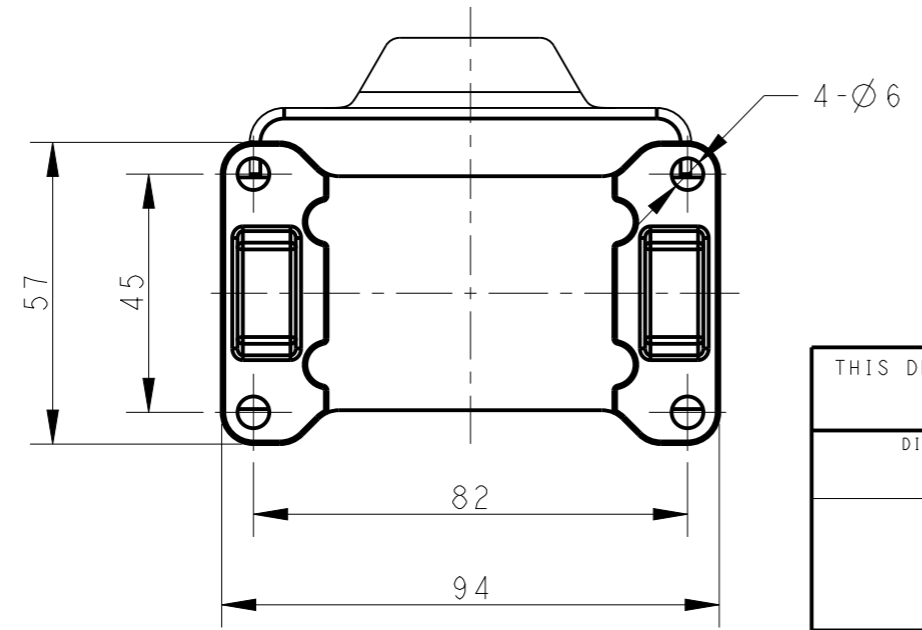
REVISIONS

P	LTR	DESCRIPTION	DATE	DWN	APVD
A		INITIAL RELEASE	08JUL2015	DL	CW
B		ECR-20-008181	16JUL2020	WQR	CW




NOTES:  
 1. TECHNICAL CHARACTERISTICS:  
 BODY MATERIAL: DIE CAST ALUMINIUM ALLOY  
 SURFACE TREATMENT: POWDER-COATED, GRAY  
 DEGREE OF PROTECTION: IP65 (MATED)

注释:  
 1. 技术参数:  
 主体材料: 铝合金  
 表面处理: 粉末喷涂, 灰色  
 防护等级: IP65(配合)



TI650103121-000	H10B-SGRH-LB-PG21	PG21	-
TI650103129-000	H10B-SGRH-LB-PG29	PG29	-
TI650103132-000	H10B-SGRH-LB-M32	M32	-
TI650103221-000	H10B-SGRH-LB-2PG21	PG21	PG21
TI650103225-000	H10B-SGRH-LB-2M25	M25	M25
TI650103229-000	H10B-SGRH-LB-2PG29	PG29	PG29
TI650103232-000	H10B-SGRH-LB-2M32	M32	M32
TI650102532-000	H10B-SGRH-LB-M25/M32	M25	M32
ASSEMBLY PART NUMBER	ASSEMBLY PART DESCRIPTION	IG1	IG2

THIS DRAWING IS A CONTROLLED DOCUMENT.		DWN 08JUL2015 DAVID LI	 TE Connectivity NAME H10B-SGRH-LB-PG/M			
DIMENSIONS: mm		CHK 08JUL2015 CHRIS WANG				
TOLERANCES UNLESS OTHERWISE SPECIFIED:		APVD 08JUL2015 XU XIANG				
0 PLC ±- 1 PLC ±- 2 PLC ±- 3 PLC ±- 4 PLC ±- ANGLES ±-		PRODUCT SPEC 108-137013				
MATERIAL TBD	FINISH -	APPLICATION SPEC 114-137013	SIZE A3	CAGE CODE -	DRAWING NO C-TI65010XXXX000	RESTRICTED TO
CUSTOMER DRAWING		WEIGHT -	SCALE 7:10		SHEET 1 OF 1	REV B