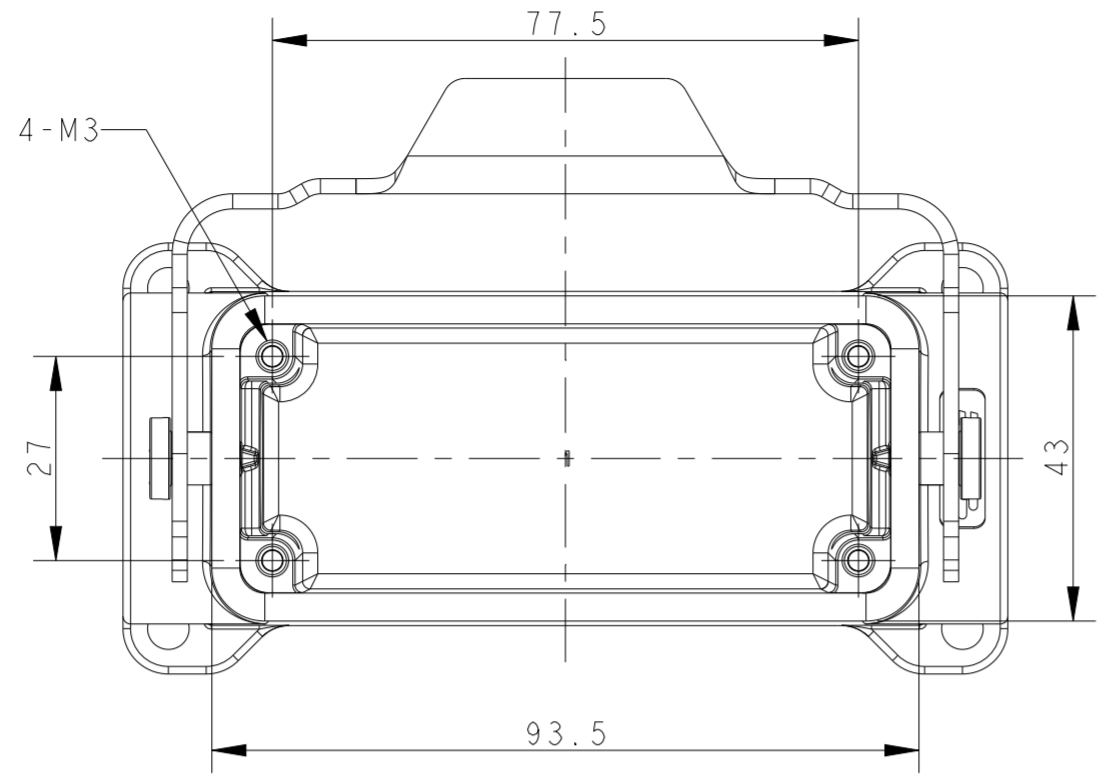


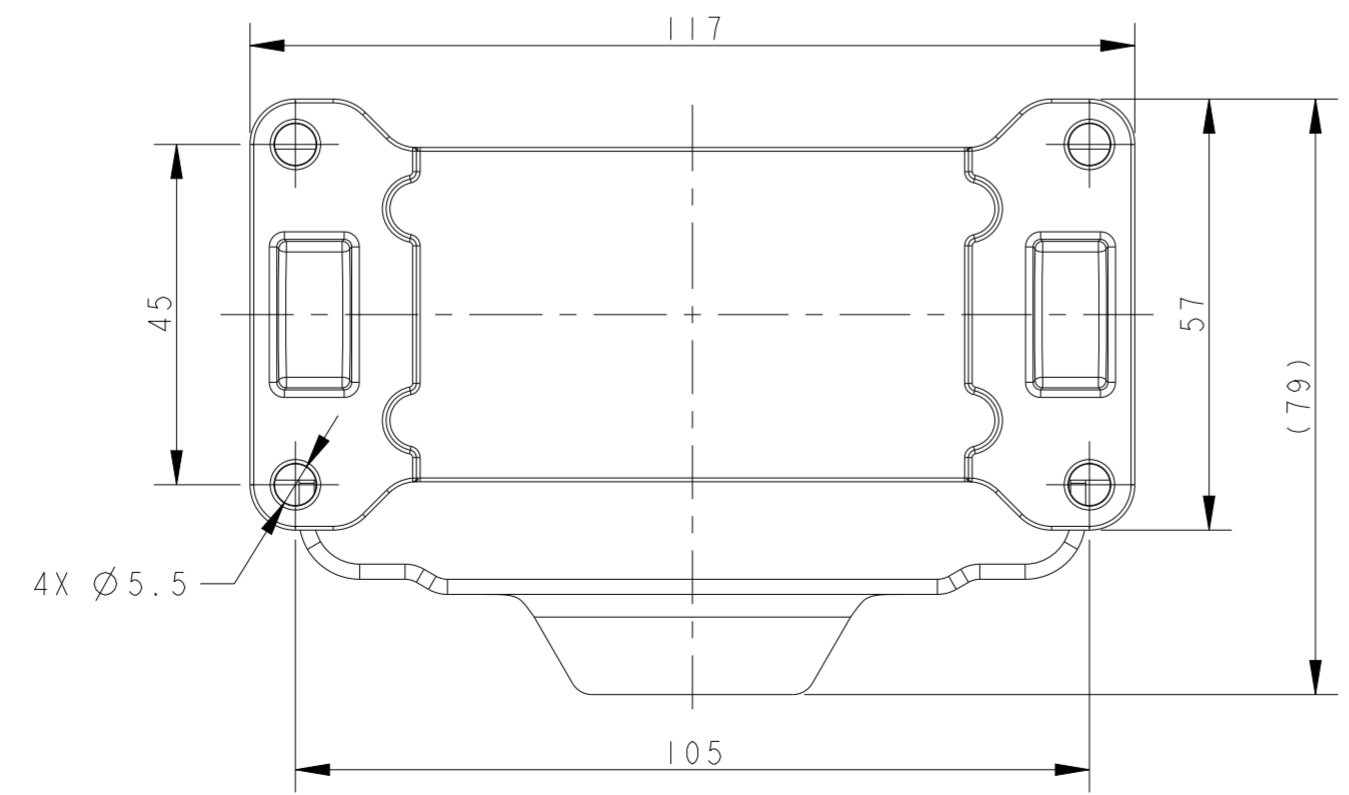
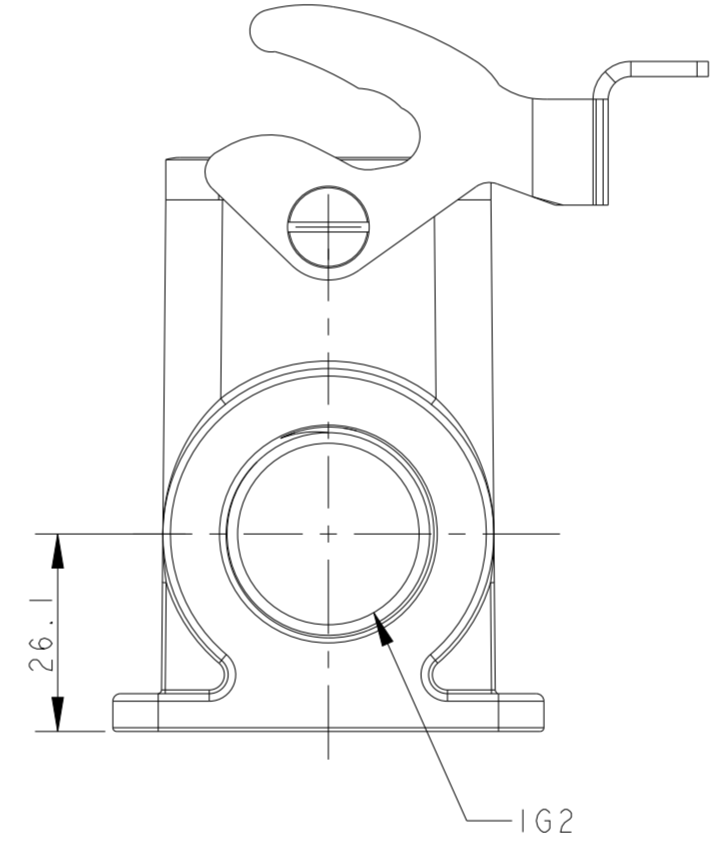
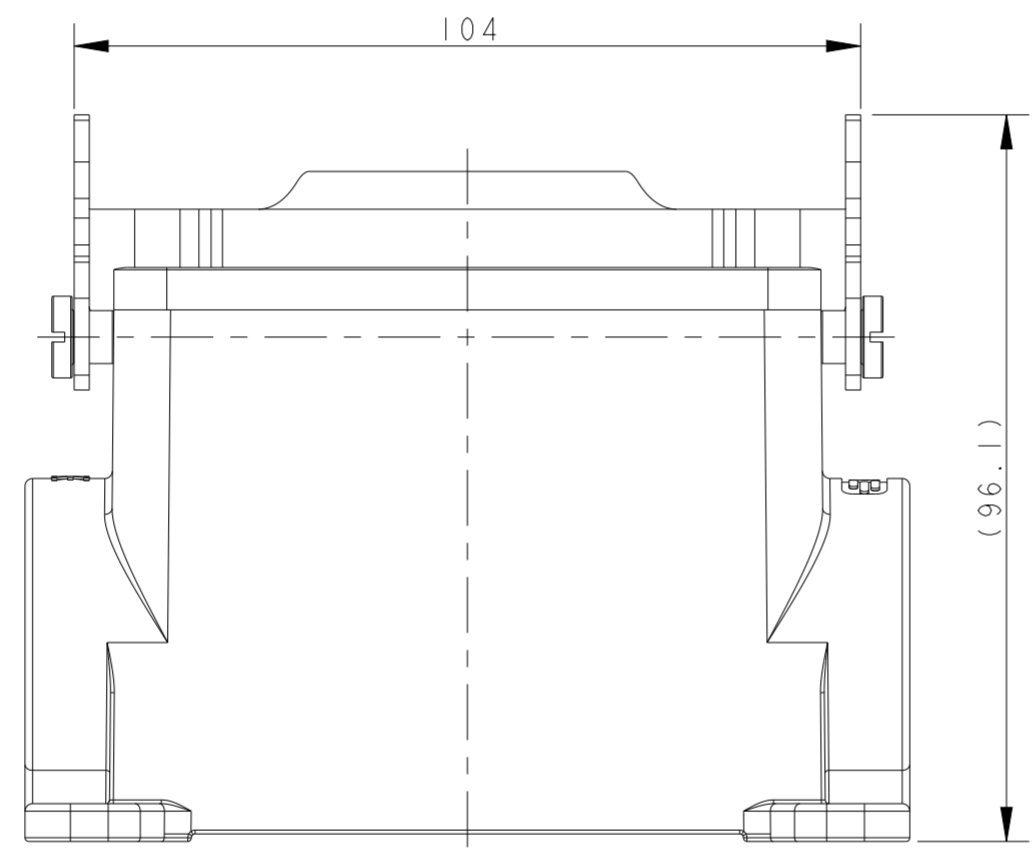
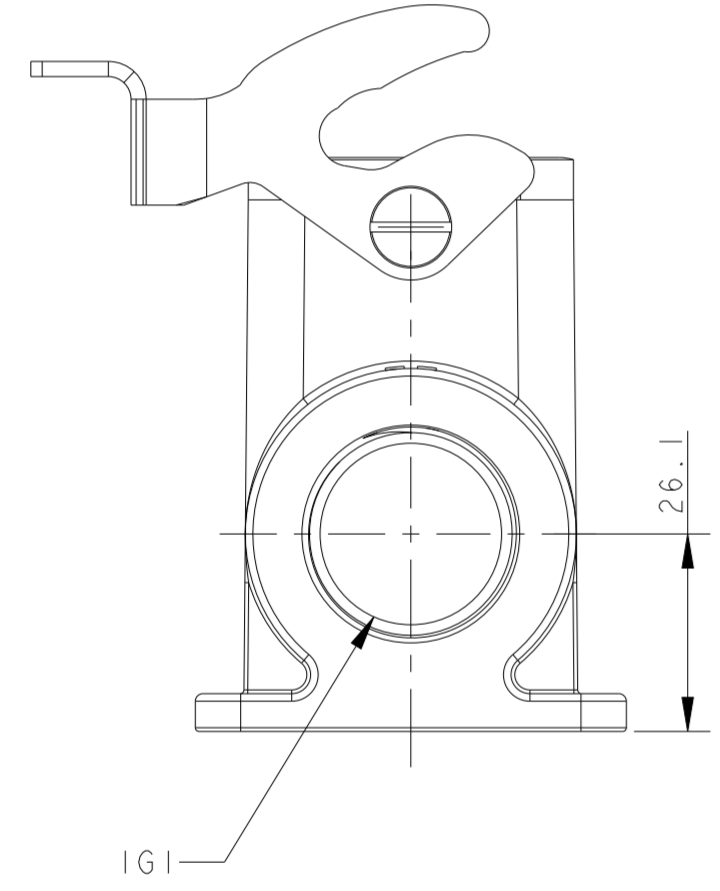
THIS DRAWING IS UNPUBLISHED. RELEASED FOR PUBLICATION 20
 © COPYRIGHT 20 BY - ALL RIGHTS RESERVED.

REVISIONS					
P	LTR	DESCRIPTION	DATE	DWN	APVD
A		INITIAL RELEASE	23JUN2015	DL	CW
AI		ECR-18-018974	09NOV2018	WOR	CW
B		ECR-20-008190	28SEP2020	WOR	CW



NOTES:
 1. TECHNICAL CHARACTERISTICS:
 BODY MATERIAL: DIE CAST ALUMINIUM ALLOY
 SURFACE TREATMENT: POWDER-COATED, GRAY
 DEGREE OF PROTECTION: IP65 (MATED)

注释:
 1. 技术参数:
 主体材料: 铝合金
 表面处理: 粉末喷涂, 灰色
 防护等级: IP65(配合)



PART NUMBER	料号	DESCRIPTION	描述	IG1	IG2
TI650163125-000	H16B-SGRH-LB-M25	H16B HOUSING, SURFACE MOUNTED, METAL SINGLE LOCKING, M25, HIGH CONSTRUCTION, POWDER COATED, GREY H16B下壳, 表面安装, 彩钢单扣, M25, 高结构, 灰色粉末喷涂	M25	-	-
TI650163121-000	H16B-SGRH-LB-PG21	H16B HOUSING, SURFACE MOUNTED, METAL SINGLE LOCKING, PG21, HIGH CONSTRUCTION, POWDER COATED, GREY H16B下壳, 表面安装, 彩钢单扣, PG21, 高结构, 灰色粉末喷涂	PG21	-	-
TI650163129-000	H16B-SGRH-LB-PG29	H16B HOUSING, SURFACE MOUNTED, METAL SINGLE LOCKING, PG29, HIGH CONSTRUCTION, POWDER COATED, GREY H16B下壳, 表面安装, 彩钢单扣, PG29, 高结构, 灰色粉末喷涂	PG29	-	-
TI650163132-000	H16B-SGRH-LB-M32	H16B HOUSING, SURFACE MOUNTED, METAL SINGLE LOCKING, M32, HIGH CONSTRUCTION, POWDER COATED, GREY H16B下壳, 表面安装, 彩钢单扣, M32, 高结构, 灰色粉末喷涂	M32	-	-
TI650163221-000	H16B-SGRH-LB-2PG21	H16B HOUSING, SURFACE MOUNTED, METAL SINGLE LOCKING, 2PG21, HIGH CONSTRUCTION, POWDER COATED, GREY H16B下壳, 表面安装, 彩钢单扣, 2PG21, 高结构, 灰色粉末喷涂	PG21	PG21	-
TI650163229-000	H16B-SGRH-LB-2PG29	H16B HOUSING, SURFACE MOUNTED, METAL SINGLE LOCKING, 2PG29, HIGH CONSTRUCTION, POWDER COATED, GREY H16B下壳, 表面安装, 彩钢单扣, 2PG29, 高结构, 灰色粉末喷涂	PG29	PG29	-
TI650163232-000	H16B-SGRH-LB-2M32	H16B HOUSING, SURFACE MOUNTED, METAL SINGLE LOCKING, 2M32, HIGH CONSTRUCTION, POWDER COATED, GREY H16B下壳, 表面安装, 彩钢单扣, 2M32, 高结构, 灰色粉末喷涂	M32	M32	-
				IG1	IG2

THIS DRAWING IS A CONTROLLED DOCUMENT.

DWN	DAVID LI	23JUN2015
CHK	CHRIS WANG	23JUN2015
APVD	XU XIANG	23JUN2015
PRODUCT SPEC	108-137013	
APPLICATION SPEC	114-137013	
WEIGHT	-	
CUSTOMER DRAWING		

DAVID LI 23JUN2015
 CHRIS WANG 23JUN2015
 XU XIANG 23JUN2015

108-137013
 114-137013

TE Connectivity

NAME: H16B-SGRH-LB-PG/M

SIZE	CAGE CODE	DRAWING NO	RESTRICTED TO
A2	-	©-TI650163XXX000	
SCALE	1:2	SHEET	OF
			REV B