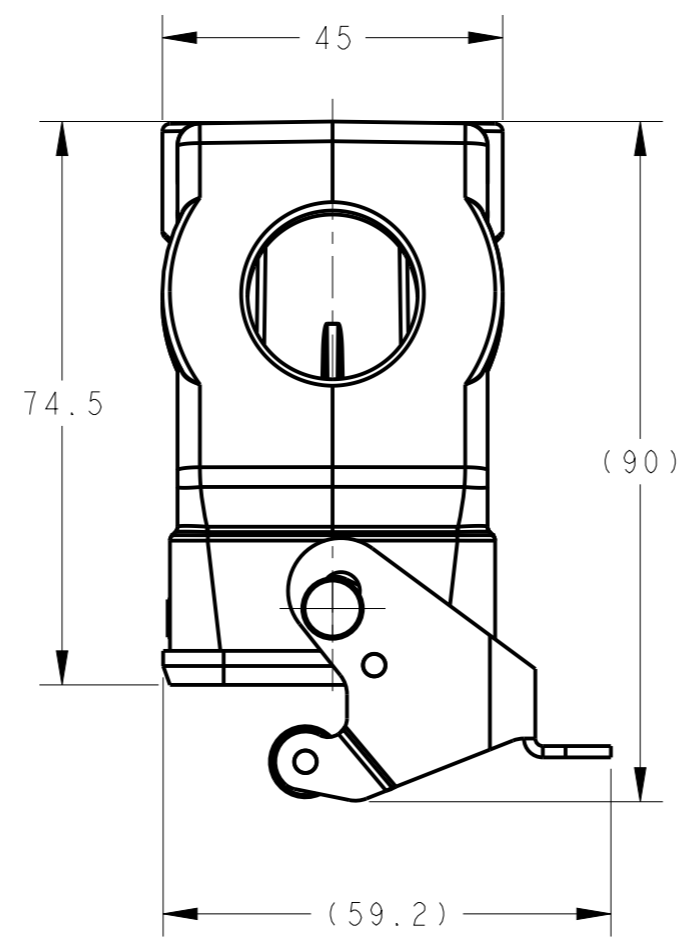
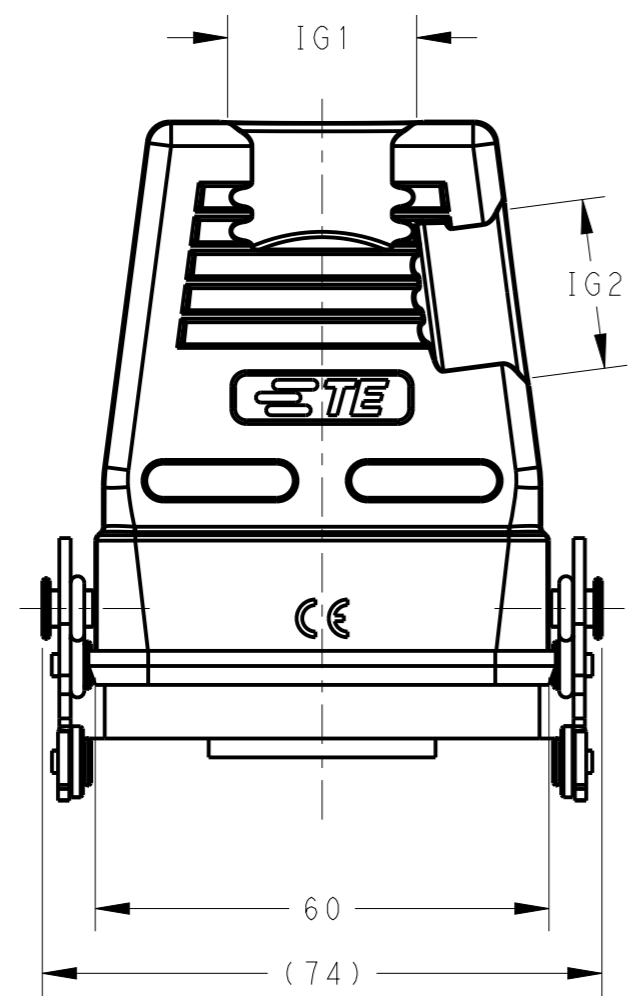


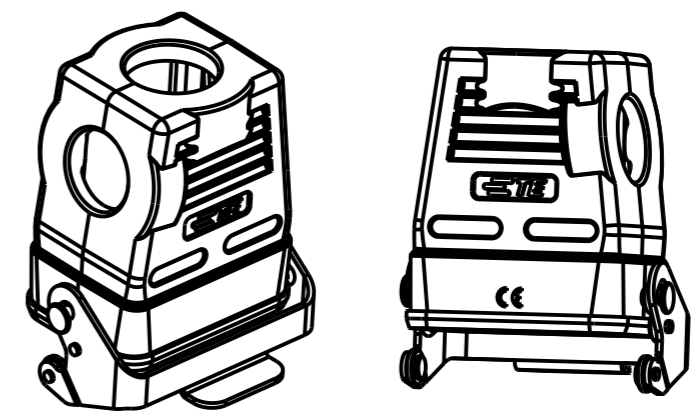
THIS DRAWING IS UNPUBLISHED. RELEASED FOR PUBLICATION 20
 © COPYRIGHT 20 BY - ALL RIGHTS RESERVED.

REVISIONS					
P	LTR	DESCRIPTION	DATE	DWN	APVD
	A	INITIAL	23JUN2015	DW	CW
	A1	ECR-15-012067	10AUG2015	DW	CW
	B	ECR-20-007968	22JUN2020	WQR	CW

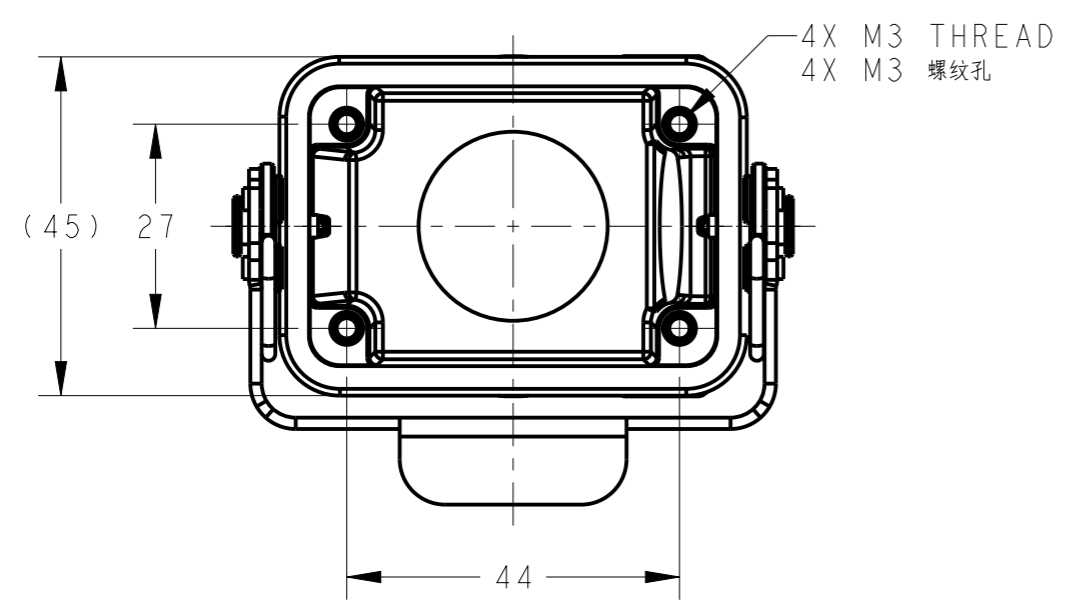


NOTES:
 1. TECHNICAL CHARACTERISTICS:
 HOOD MATERIAL: DIE CAST ALUMINIUM ALLOY
 SURFACE: POWDER COATED, INSIDE AND OUTSIDE
 GREY COATING
 DEGREE OF PROTECTION: IP65 (MATED)

注释:
 1. 技术参数:
 电缆对接下壳材料: 铝合金
 表面处理: 粉末涂层, 里外喷漆, 灰色
 防护等级: IP65(配合)



SCALE 1:2



T1770062520-000	H6B-TBFHS-M25/M20 INSIDE AND OUTSIDE COATING	M25	M20
T1770062516-000	H6B-TBFHS-M25/PG16 INSIDE AND OUTSIDE COATING	M25	PG16
PART NUMBER	DESCRIPTION	IG1	IG2

THIS DRAWING IS A CONTROLLED DOCUMENT.		DWN 23JUN2015 David Wang	TE Connectivity	
DIMENSIONS: mm		CHK 23JUN2015 Chris Wang		
TOLERANCES UNLESS OTHERWISE SPECIFIED:		APVD 23JUN2015 Xiang Xu	NAME H6B-TBFHS-2 M/PG INSIDE AND OUTSIDE COATING	
0 PLC ±-		PRODUCT SPEC 108-137013	SIZE CAGE CODE DRAWING NO RESTRICTED TO	
1 PLC ±-		APPLICATION SPEC 114-137013	A300779 © T17700625XX000 -	
2 PLC ±-		WEIGHT -	SCALE 1:1 SHEET 1 OF 1 REV B	
3 PLC ±-				
4 PLC ±-				
ANGLES ±-				
MATERIAL -				
FINISH -				
-				