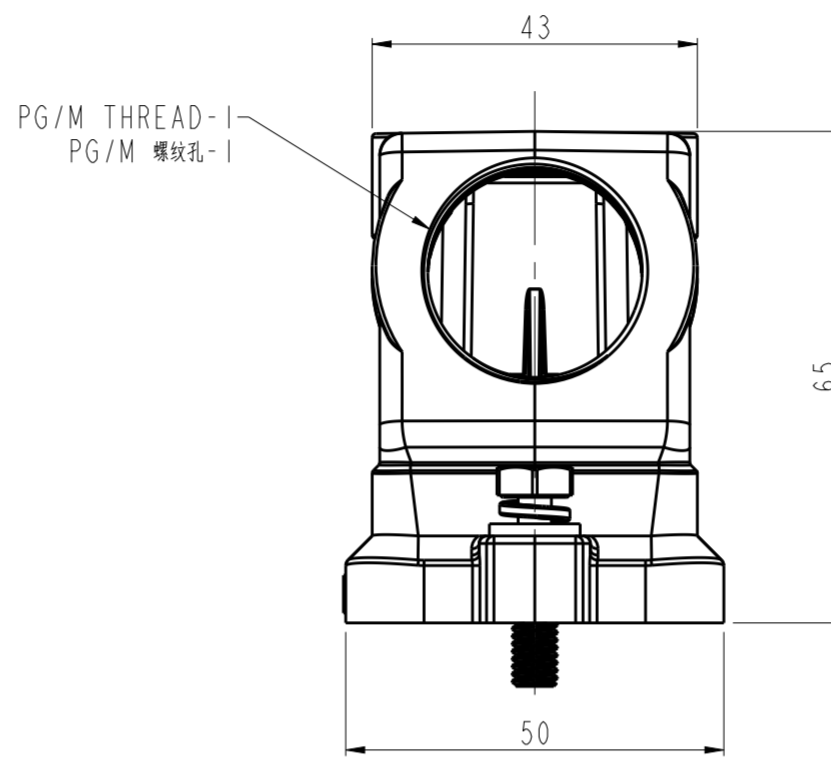
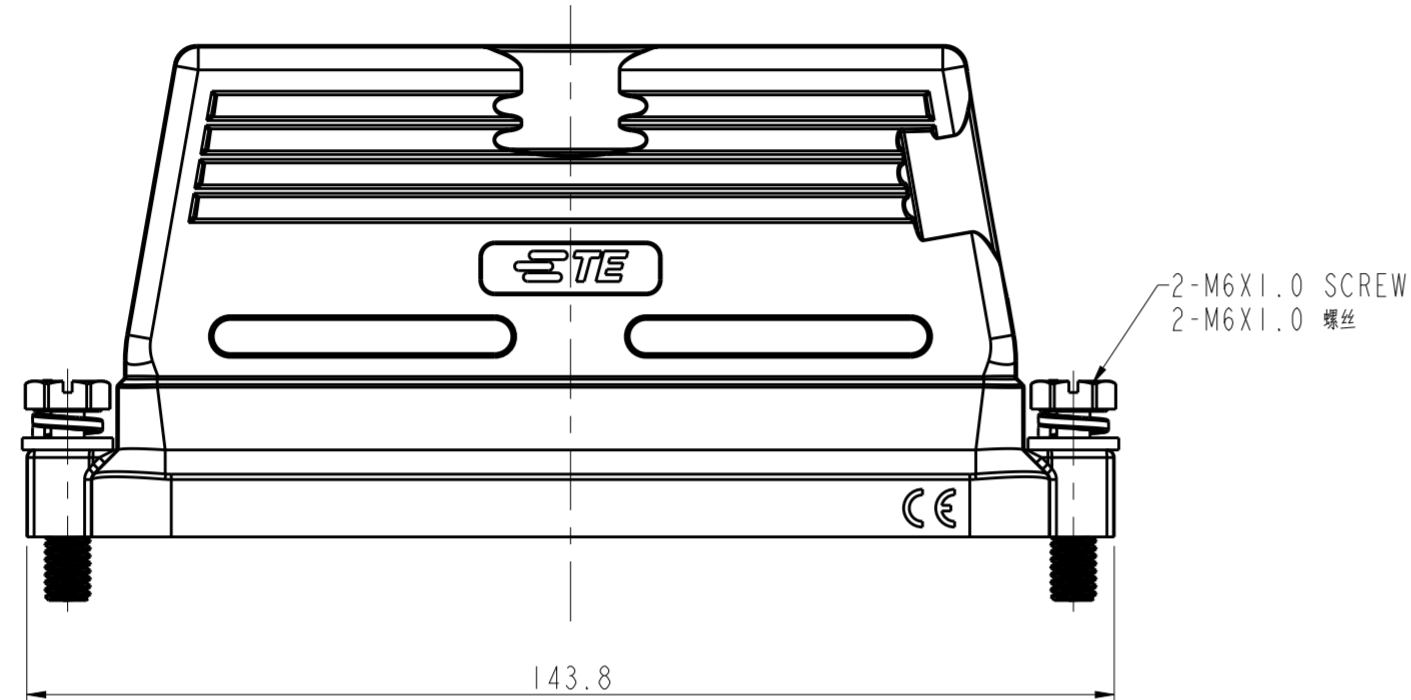


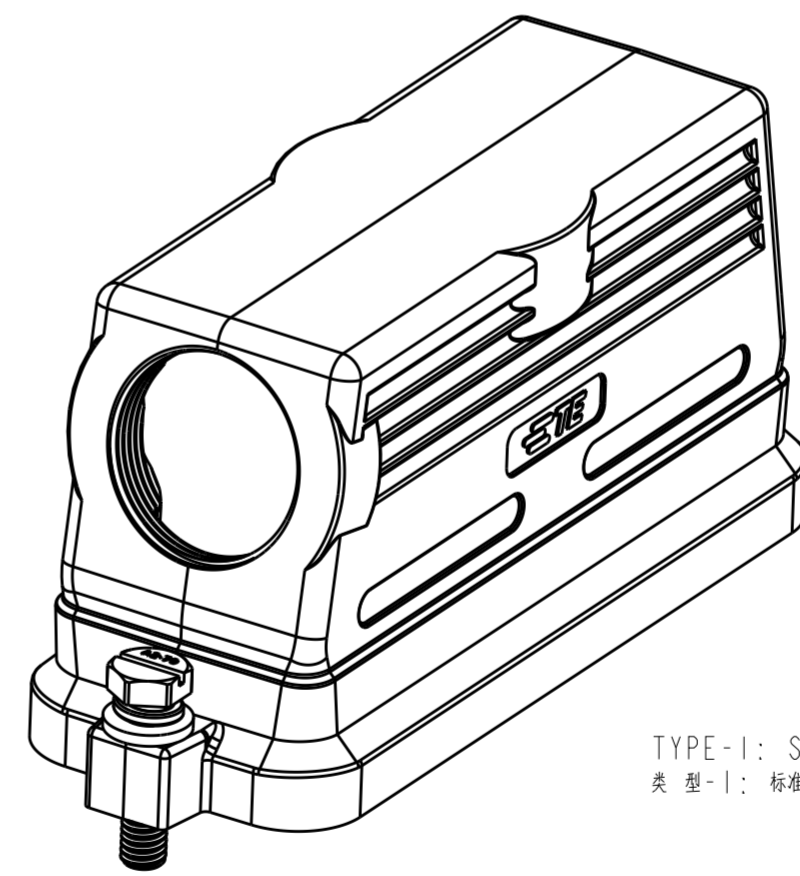
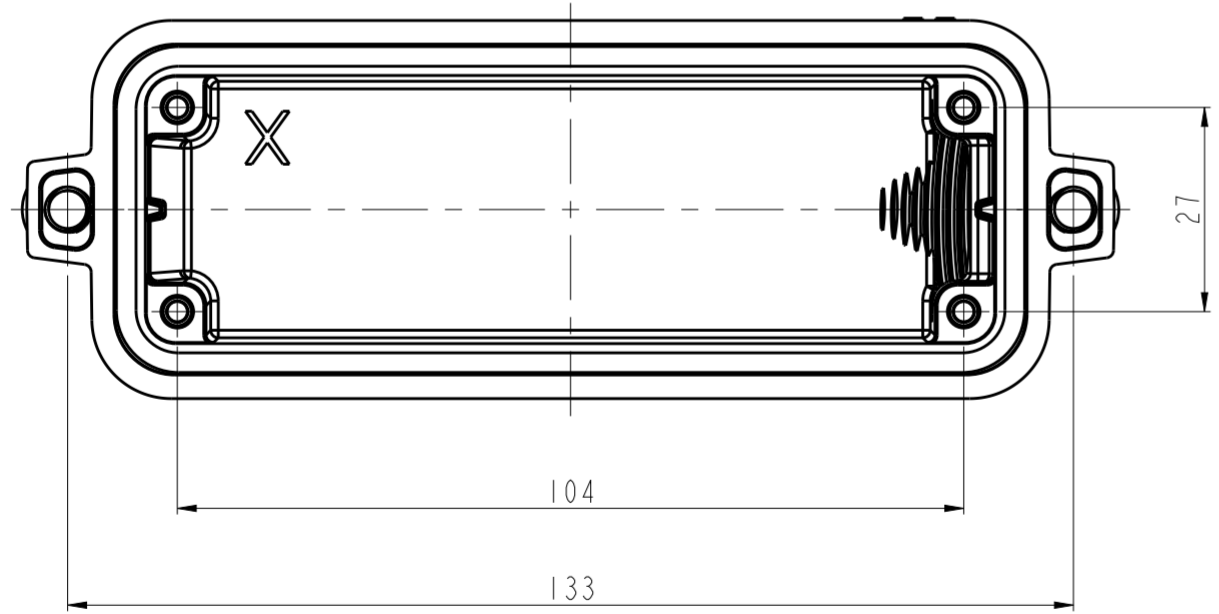
THIS DRAWING IS UNPUBLISHED. RELEASED FOR PUBLICATION 20
 © COPYRIGHT 20 BY - ALL RIGHTS RESERVED.

REVISIONS					
P	LTR	DESCRIPTION	DATE	DWN	APVD
	A	INITIAL	27FEB2017	QY	CW
	AI	ECR-18-003490	14MAR2018	TF	CW
	B	ECR-20-007688	16NOV2020	BS	CW



NOTES:
 1. TECHNICAL CHARACTERISTICS:
 HOOD MATERIAL: DIE CAST ALUMINIUM ALLOY
 SURFACE: POWDER COATED
 DEGREE OF PROTECTION: IP67 (MATED)

注释:
 1. 技术参数:
 上壳材料: 铝合金
 表面处理: 粉末喷涂
 防护等级: IP67(配合)



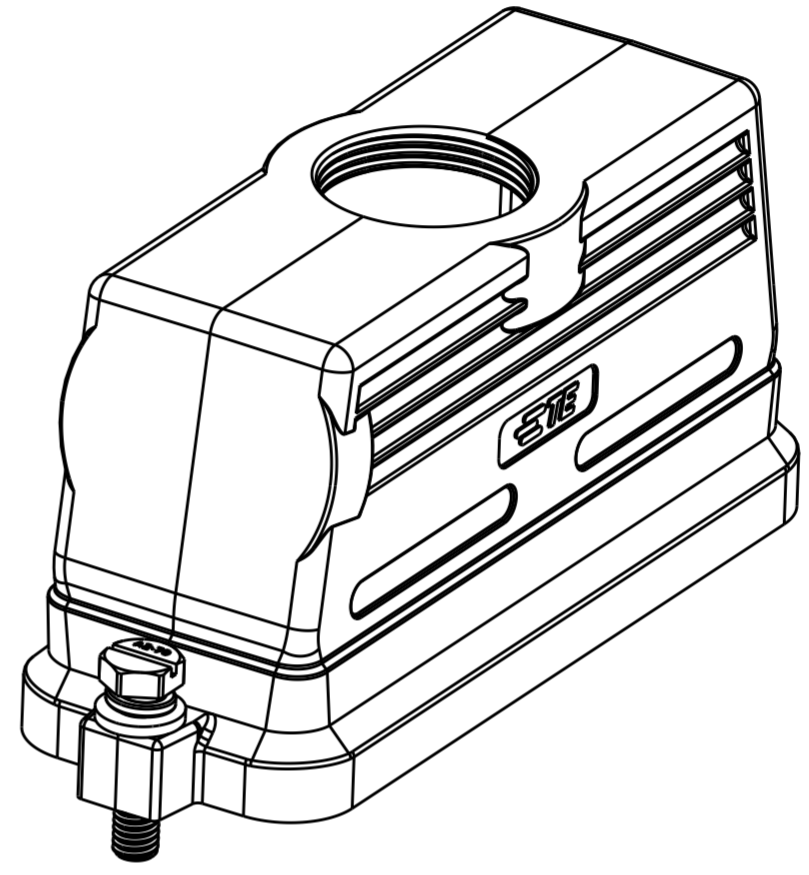
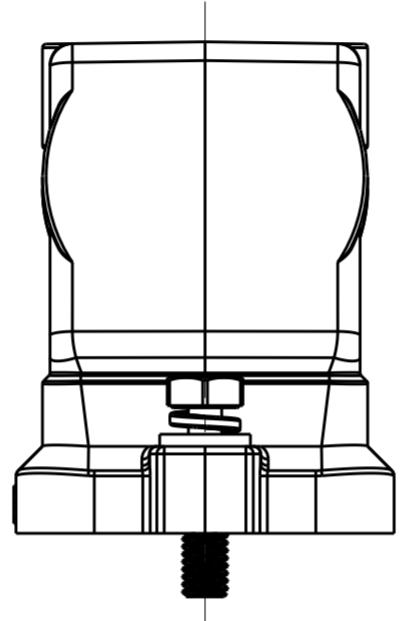
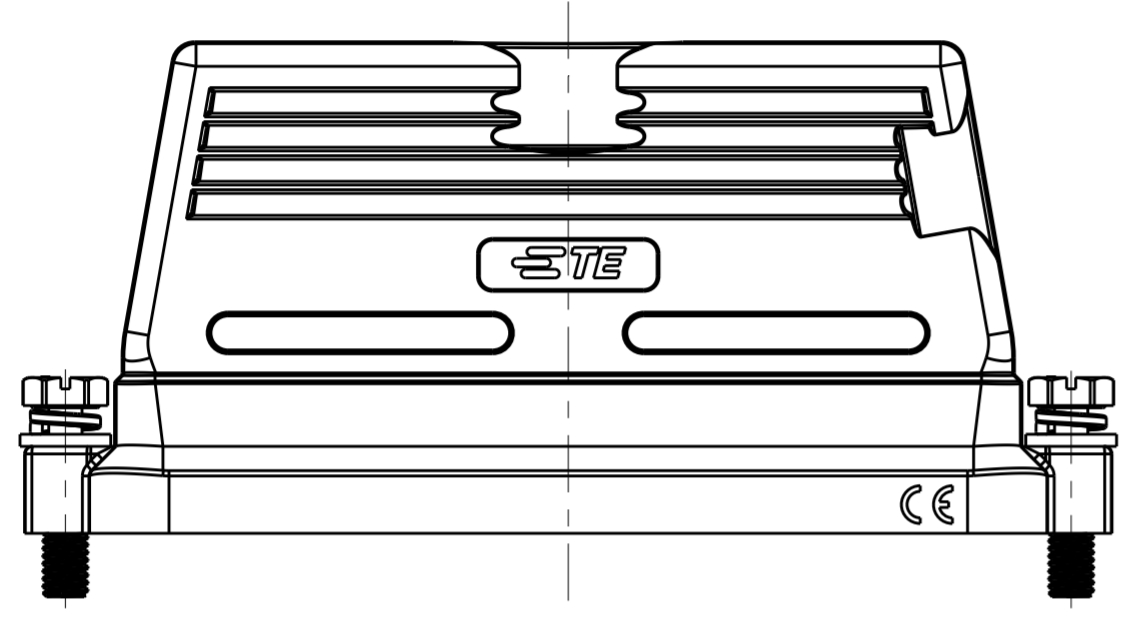
TYPE-1: STANDARD SIDE ENTRY
 类型-1: 标准侧出

THIS DRAWING IS A CONTROLLED DOCUMENT.		DWN QIANG YUAN 27FEB2017	STE TE Connectivity	
		CHK KYLE ZENG 27FEB2017		
		APVD CHRIS WANG 27FEB2017	NAME H24BK-TSHC/TGHC-PG/M	
DIMENSIONS: mm		PRODUCT SPEC 108-137276	SIZE A2	
TOLERANCES UNLESS OTHERWISE SPECIFIED: 0 PLC ± 1 PLC ± 2 PLC ± 3 PLC ± 4 PLC ± ANGLES ± FINISH		APPLICATION SPEC 114-137276	CAGE CODE 00779	DRAWING NO G-T18X224XXXX000
MATERIAL -		WEIGHT -	RESTRICTED TO	
		CUSTOMER DRAWING	SCALE 1:1	SHEET 1 OF 3
			REV B	

THIS DRAWING IS UNPUBLISHED. RELEASED FOR PUBLICATION 20
 © COPYRIGHT 20 BY - ALL RIGHTS RESERVED.

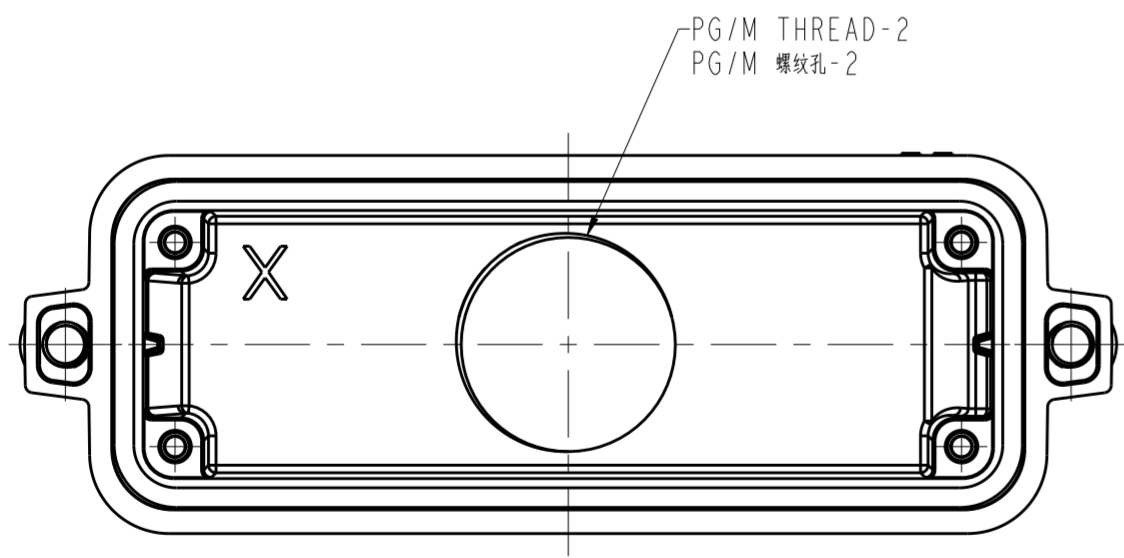
REVISIONS				
P	LTR	DESCRIPTION	DATE	APVD
-		SEE SHEET 1	-	-

NOTES:
 SEE SHEET 1
 注释:
 见页 1



TYPE-2: STANDARD TOP ENTRY
 类型-2: 标准顶出

ALL DIMENSIONS ARE SAME AS TYPE 1,
 EXCEPT THOSE DEFINED IN THIS TYPE.
 除了在本类型中定义的尺寸外,其它尺寸同类型1

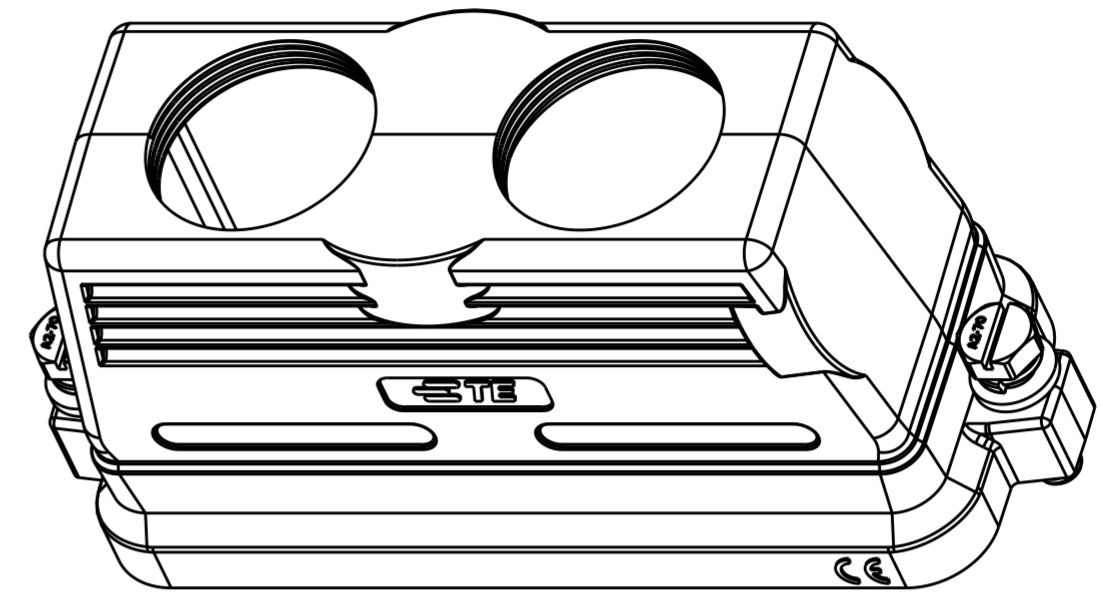
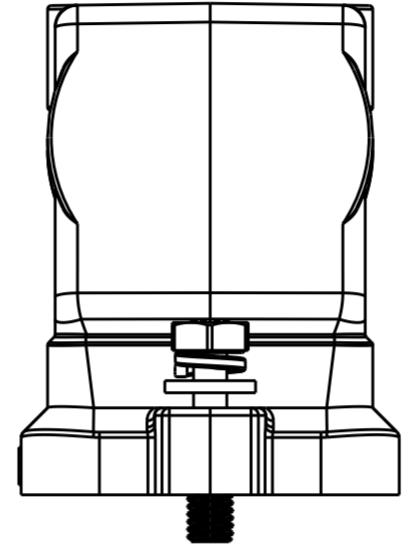
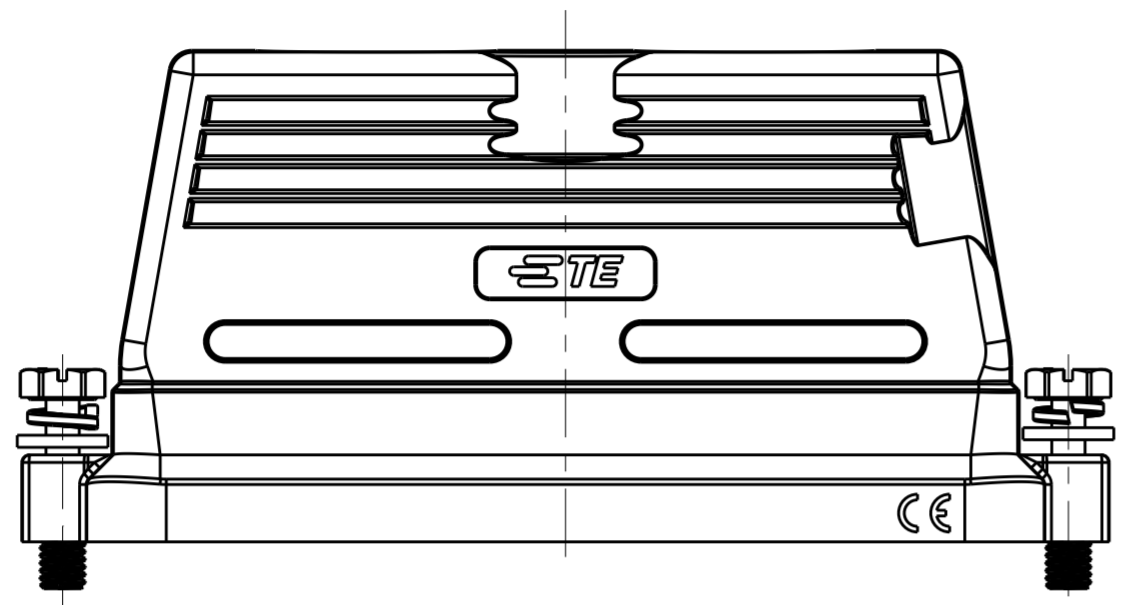


THIS DRAWING IS A CONTROLLED DOCUMENT.		DWN 27FEB2017 QIANG YUAN	STE TE Connectivity	
		CHK 27FEB2017 KYLE ZENG		
		APVD 27FEB2017 CHRIS WANG	NAME H24BK-TSHC/TGHC-PG/M	
DIMENSIONS: mm		PRODUCT SPEC 108-137276	SIZE A2	CAGE CODE 00779
TOLERANCES UNLESS OTHERWISE SPECIFIED: 0 PLC ± 1 PLC ± 2 PLC ± 3 PLC ± 4 PLC ± ANGLES ± FINISH -		APPLICATION SPEC 114-137276	DRAWING NO G-T18X224XXX000	RESTRICTED TO
MATERIAL -		WEIGHT -	SCALE 1:1	SHEET 2 OF 3
		CUSTOMER DRAWING	REV B	

THIS DRAWING IS UNPUBLISHED. RELEASED FOR PUBLICATION 20
 © COPYRIGHT 20 BY - ALL RIGHTS RESERVED.

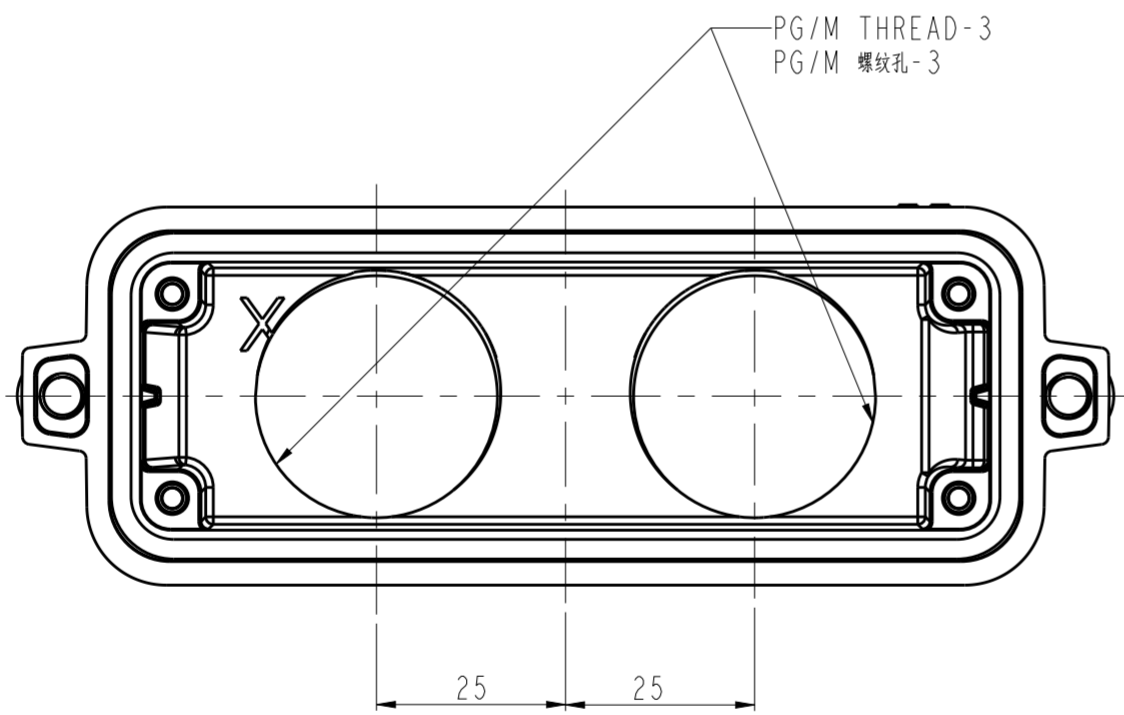
REVISIONS				
P	LTR	DESCRIPTION	DATE	APVD
-	-	SEE SHEET 1	-	-

NOTES:
 SEE SHEET 1
 注释:
 见页 1



TYPE-3: STANDARD TOP ENTRY
 类型-3: 标准顶出

ALL DIMENSIONS ARE SAME AS TYPE 1,
 EXCEPT THOSE DEFINED IN THIS TYPE.
 除了在本类型中定义的尺寸外,其它尺寸同类型1



T1822242232-000	H24BK-TGHC-2M32	H24BK HOOD,CENTER LOCKING, TOP ENTRY 2M32, POWDER COATED, GREY H24BK上壳, 中部锁定, 顶出2M32, 灰色粉末喷涂	-	-	2M32X1.5	TYPE-3 类型-3
T1822242132-000	H24BK-TGHC-M32	H24BK HOOD,CENTER LOCKING, TOP ENTRY M32, POWDER COATED, GREY H24BK上壳, 中部锁定, 顶出M32, 灰色粉末喷涂	-	M32X1.5		TYPE-2 类型-2
T1822242125-000	H24BK-TGHC-M25	H24BK HOOD,CENTER LOCKING, TOP ENTRY M25, POWDER COATED, GREY H24BK上壳, 中部锁定, 顶出M25, 灰色粉末喷涂	-	M25X1.5		
T1822242121-000	H24BK-TGHC-PG21	H24BK HOOD,CENTER LOCKING, TOP ENTRY PG21, POWDER COATED, GREY H24BK上壳, 中部锁定, 顶出PG21, 灰色粉末喷涂	-	PG21		TYPE-1 类型-1
T1812242132-000	H24BK-TSHC-M32	H24BK HOOD,CENTER LOCKING, SIDE ENTRY M32, POWDER COATED, GREY H24BK上壳, 中部锁定, 侧出M32, 灰色粉末喷涂	M32X1.5	-		
T1812242125-000	H24BK-TSHC-M25	H24BK HOOD,CENTER LOCKING, SIDE ENTRY M25, POWDER COATED, GREY H24BK上壳, 中部锁定, 侧出M25, 灰色粉末喷涂	M25X1.5	-		
T1812242121-000	H24BK-TSHC-PG21	H24BK HOOD,CENTER LOCKING, SIDE ENTRY PG21, POWDER COATED, GREY H24BK上壳, 中部锁定, 侧出PG21, 灰色粉末喷涂	PG21	-		
PART NUMBER 料号	PART DESCRIPTION 成品描述		PG/M THREAD-1 PG/M螺纹孔-1	PG/M THREAD-2 PG/M螺纹孔-2	PG/M THREAD-3 PG/M螺纹孔-3	TYPE 类型

THIS DRAWING IS A CONTROLLED DOCUMENT.

DIMENSIONS: mm

TOLERANCES UNLESS OTHERWISE SPECIFIED:

0 PLC	±	-
1 PLC	±	-
2 PLC	±	-
3 PLC	±	-
4 PLC	±	-
ANGLES	±	-
FINISH	-	-

MATERIAL: -

DWN: QIANG YUAN 27/FEB/2017
 CHK: KYLE ZENG 27/FEB/2017
 APVD: CHRIS WANG 27/FEB/2017

STE TE Connectivity

NAME: H24BK-TSHC/TGHC-PG/M

PRODUCT SPEC: 108-137276
 APPLICATION SPEC: 114-137276

SIZE: A2 CAGE CODE: 00779 DRAWING NO: T18X224XXXX000 RESTRICTED TO: B

CUSTOMER DRAWING SCALE: 1:1 SHEET: 3 OF 3 REV: B