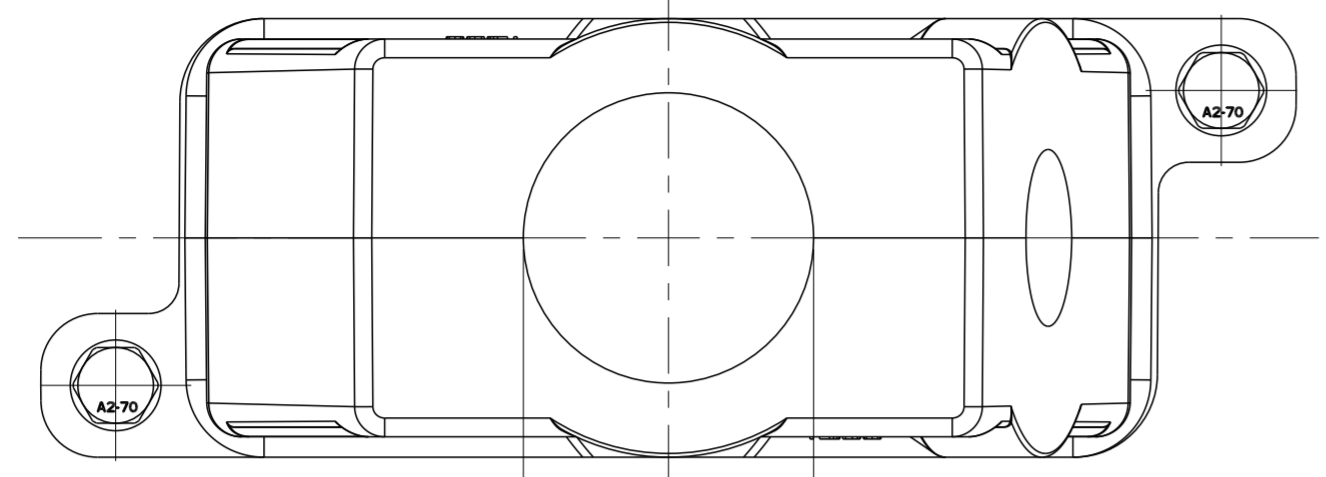


THIS DRAWING IS UNPUBLISHED. RELEASED FOR PUBLICATION 20
 © COPYRIGHT 20 BY - ALL RIGHTS RESERVED.

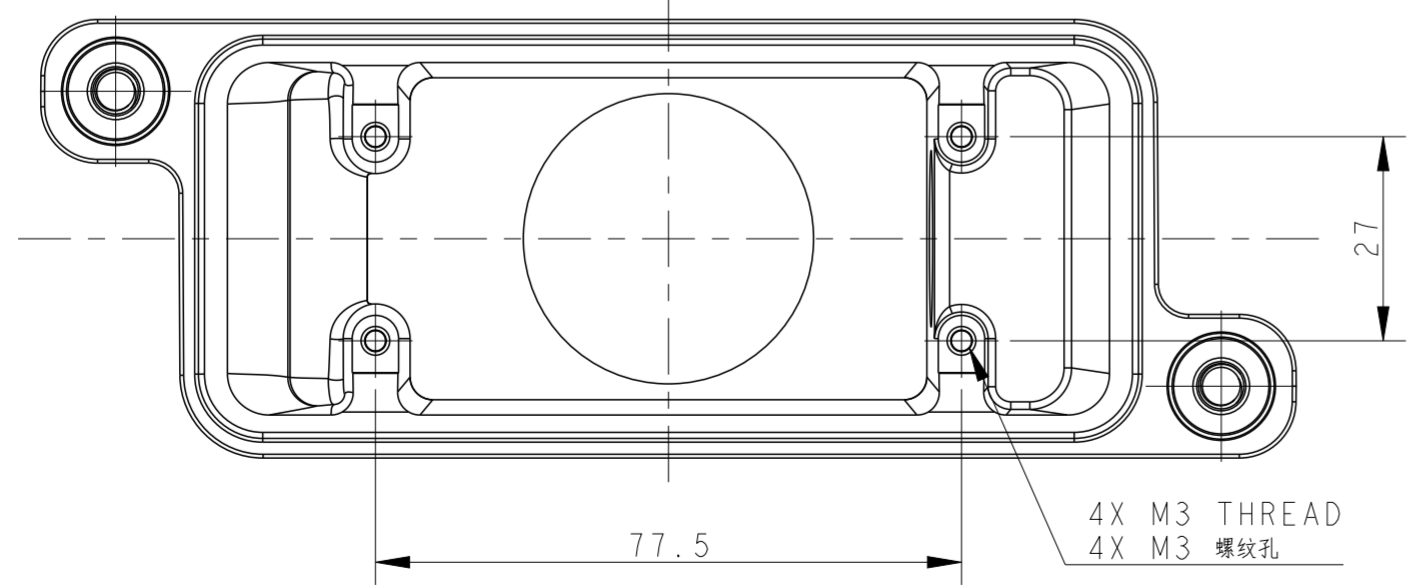
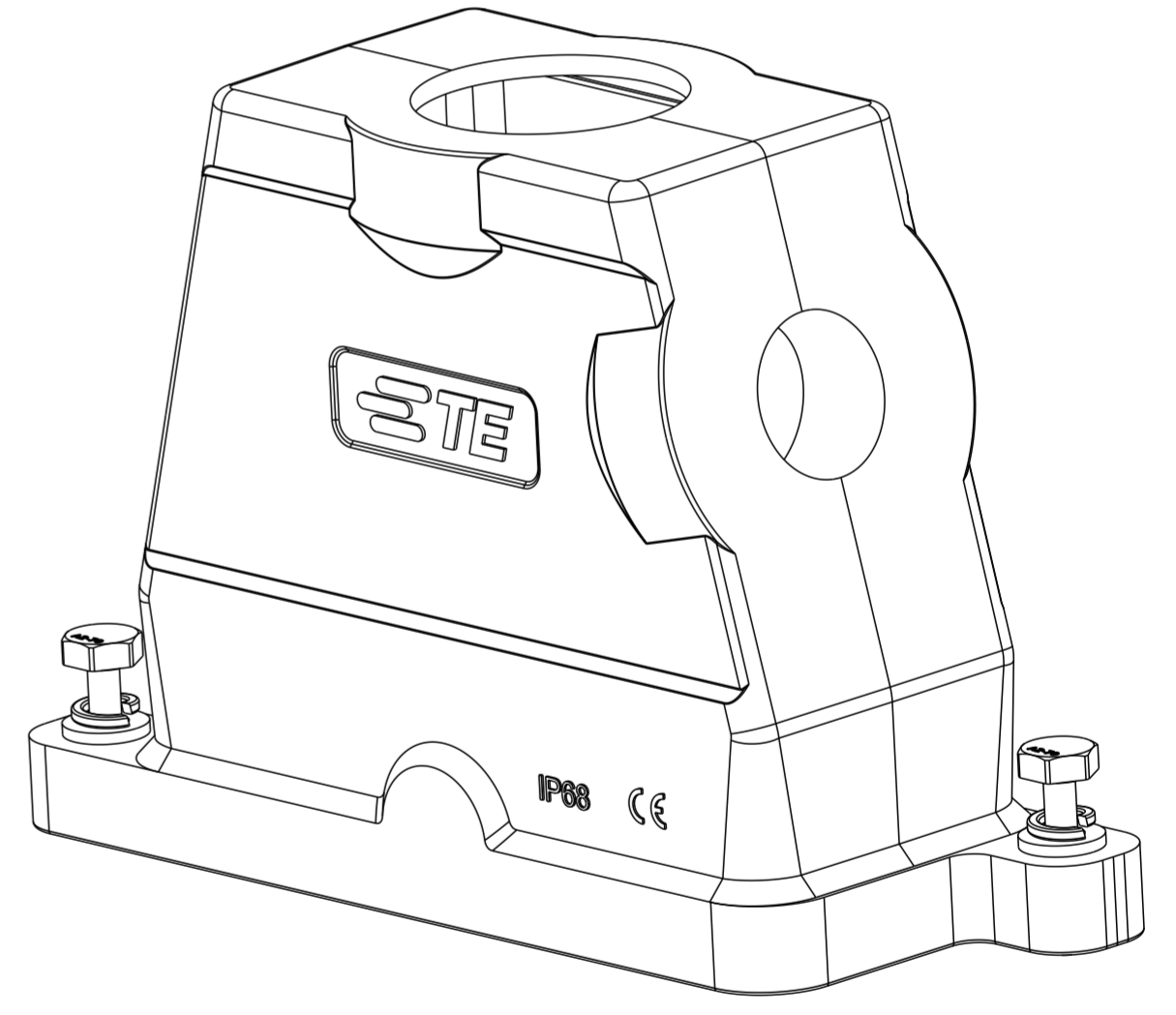
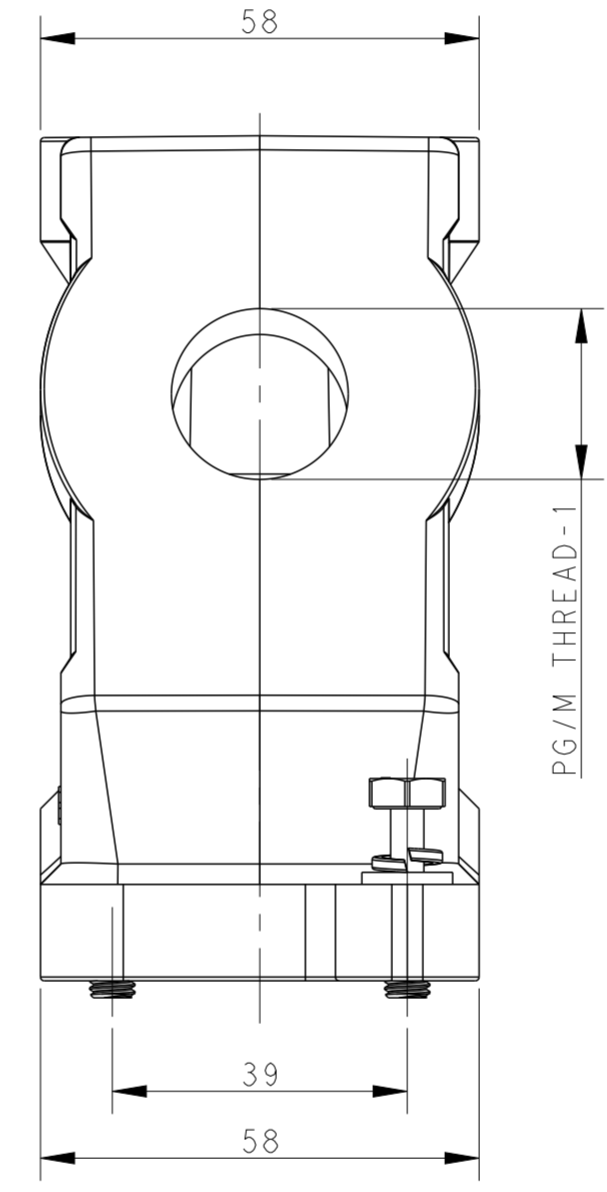
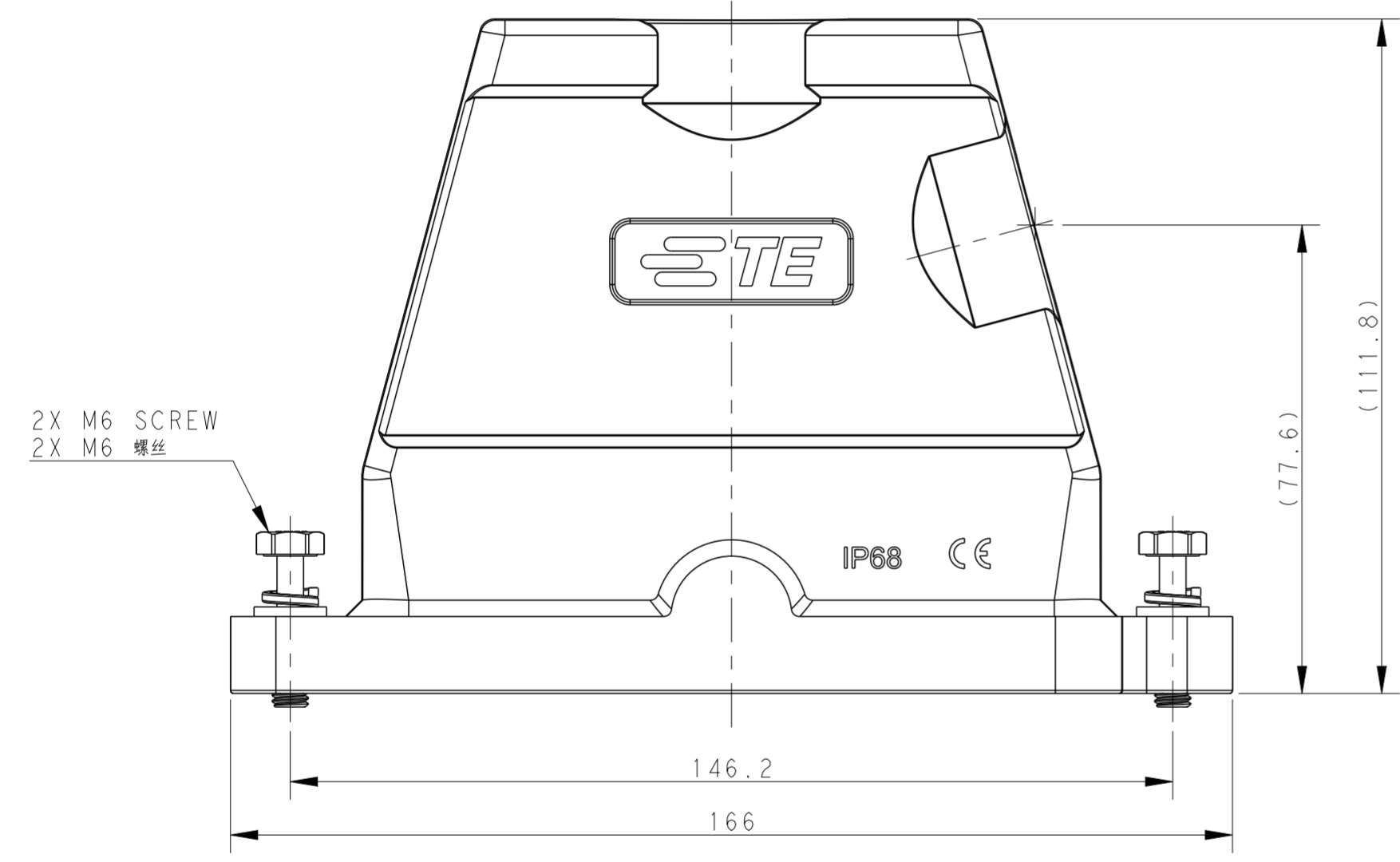
REVISIONS				
P	LTR	DESCRIPTION	DATE	APVD
A		INITIAL RELEASE	14SEP2016	DW CW
B		ECR-20-016312	03JUN2021	BS CW
B1		ECR-22-129750	17FEB2022	BS CW



PG/M THREAD-2

NOTES:
 1. TECHNICAL CHARACTERISTICS:
 HOOD MATERIAL: DIE CAST ALUMINIUM ALLOY
 SURFACE: SEE TABLE
 DEGREE OF PROTECTION: IP68 (MATED)

注释:
 1. 技术参数:
 壳体材料: 铝合金
 表面处理: 见表格
 防护等级: IP68 (配合)



T1900164025-009	H16BPR-TG/SH-M40/M25-EMC-C	H16BPR HOOD, DIAGONAL LOCKING LOCKING, TOP ENTRY M40 SIDE ENTRY M25, POWDER COATED, BLACK H16BPR对角锁定顶出M40侧出M25上壳 黑色	M40	M25
PART NUMBER 料号	PART DESCRIPTION 描述		PG/M THREAD-2 PG/M 螺纹-2	PG/M THREAD-1 PG/M 螺纹-1

THIS DRAWING IS A CONTROLLED DOCUMENT.		DWN DAVID WANG 14SEP2016	STE TE Connectivity	
DIMENSIONS: mm		CHK CHRIS WANG 14SEP2016		
TOLERANCES UNLESS OTHERWISE SPECIFIED:		APVD XIANG XU 14SEP2016	NAME H16BPR-TG/SH-PG/M-EMC-C	
0 PLC ±		PRODUCT SPEC 108-137191	SIZE A2	
1 PLC ±		APPLICATION SPEC 114-137191	CAGE CODE -	
2 PLC ±		WEIGHT -	DRAWING NO. G-T190016XXXXX09	
3 PLC ±		Customer Drawing	RESTRICTED TO -	
4 PLC ±			SCALE 1:1 SHEET 1 OF 1 REV B1	
ANGLES ±				
FINISH -				