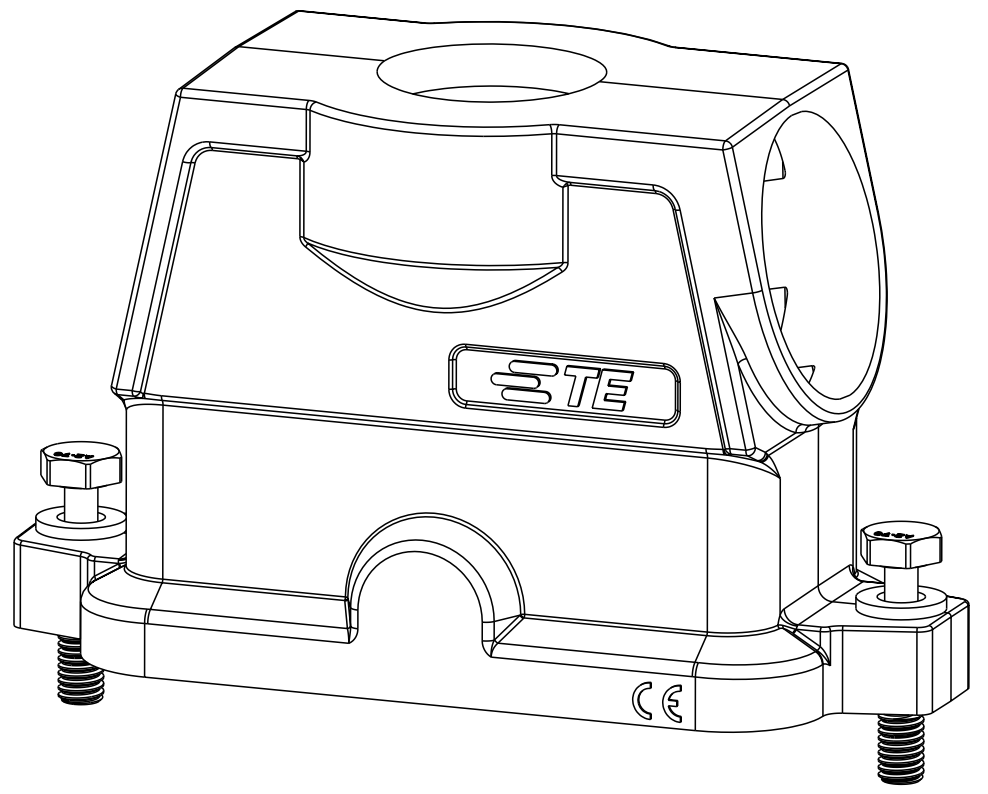
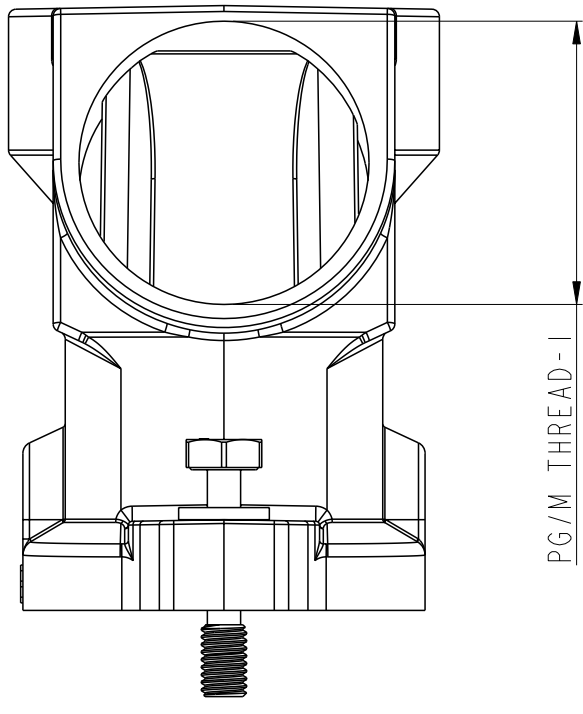
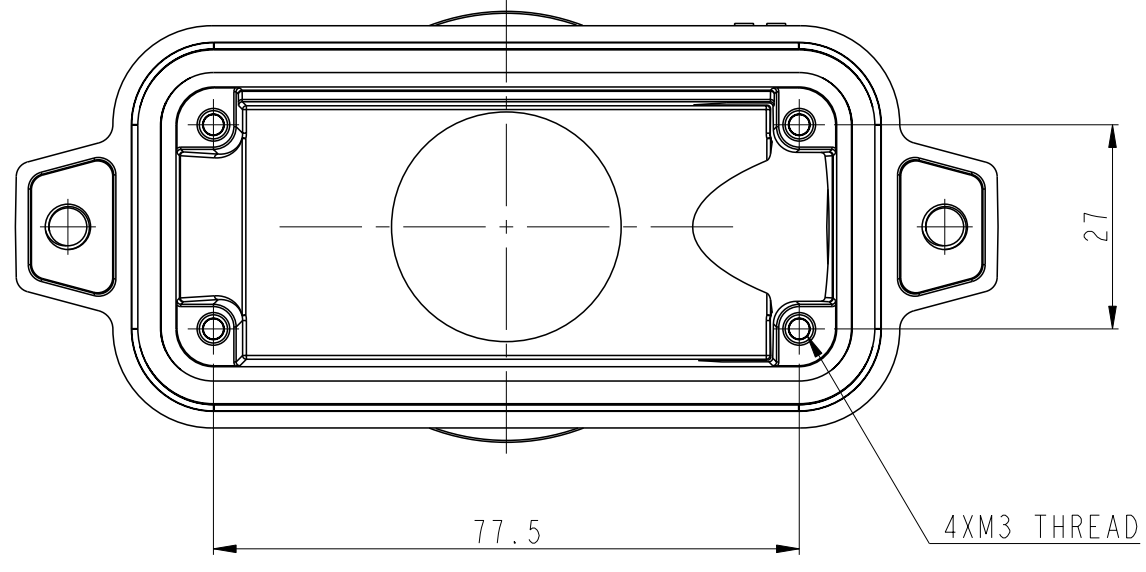
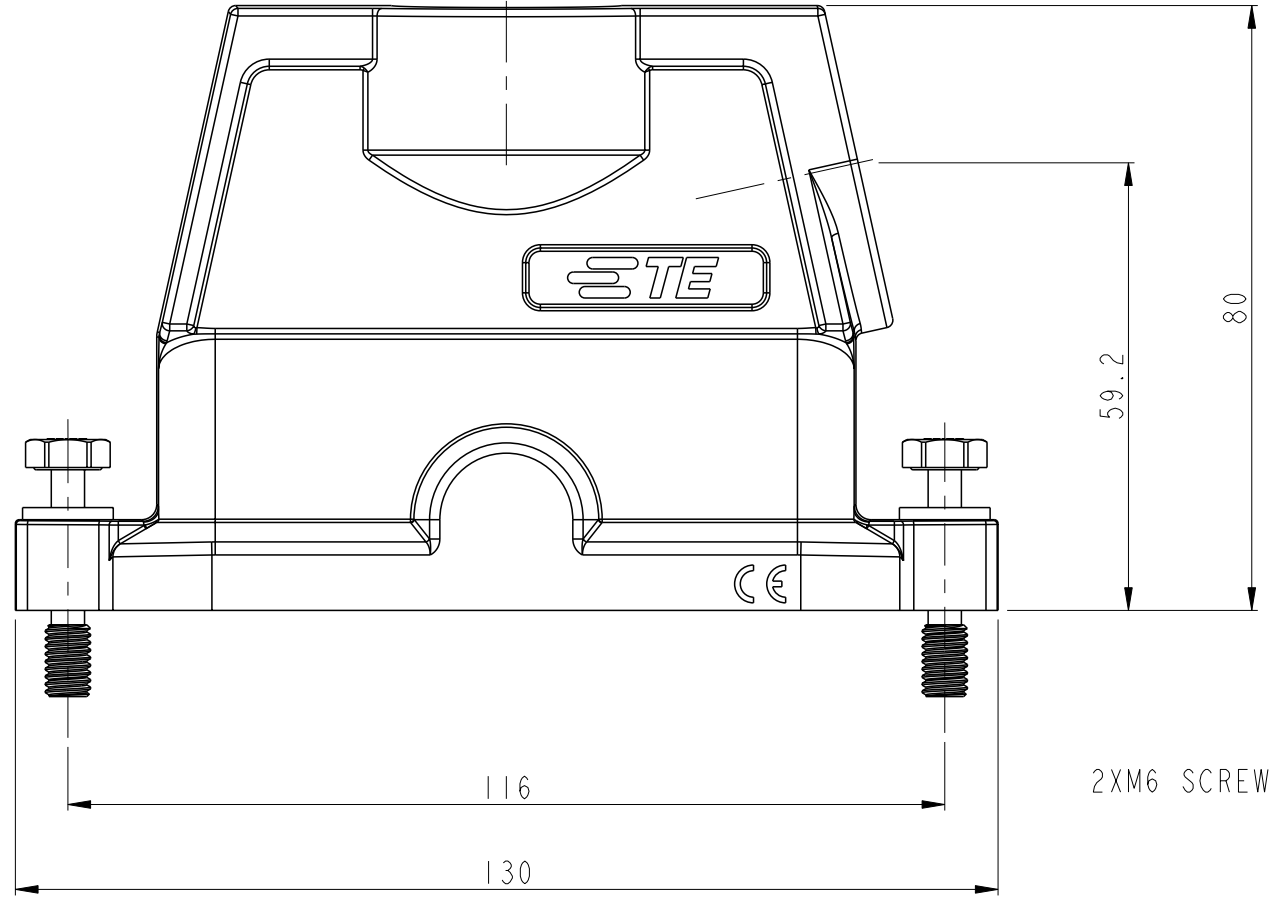
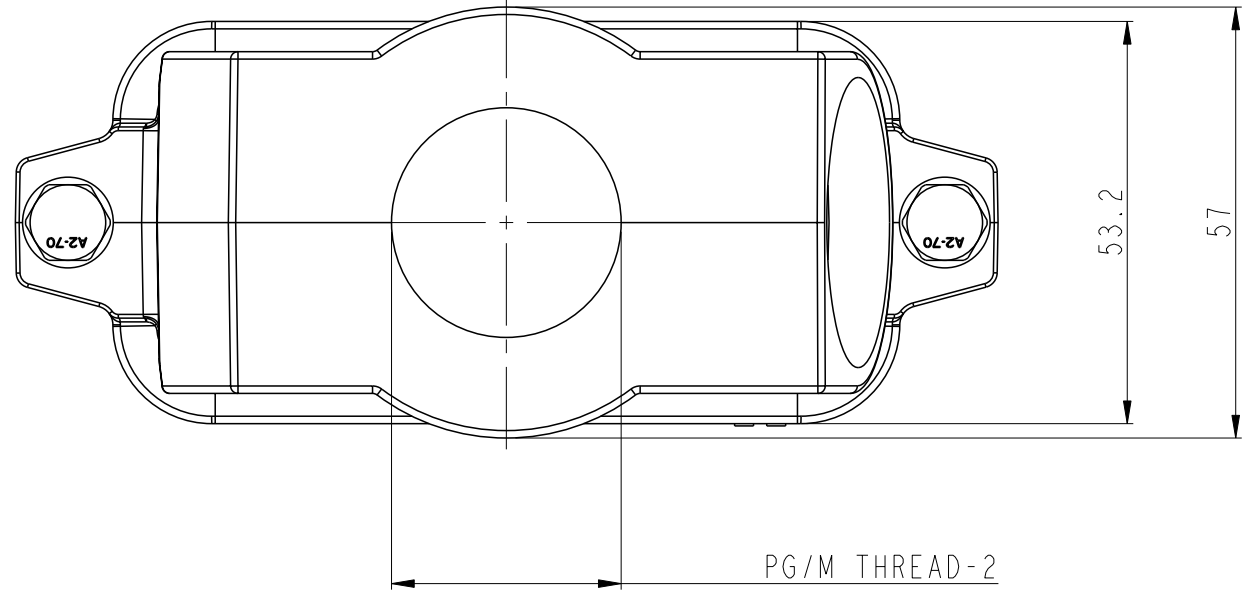


THIS DRAWING IS UNPUBLISHED. RELEASED FOR PUBLICATION 20
 © COPYRIGHT 20 BY - ALL RIGHTS RESERVED.

REVISIONS				
P	LTR	DESCRIPTION	DATE	APVD
A		INITIAL RELEASE	13JUN2015	GY CW
AI		ECR-16-010736	26JUL2016	CH CW
B		ECR-20-012892	19MAY2021	BS CW



NOTES:
 1. TECHNICAL CHARACTERISTICS:
 HOOD MATERIAL: DIE CAST ALUMINIUM ALLOY
 SURFACE TREATMENT: SEE TABLE
 DEGREE OF PROTECTION: IP68 (MATED)

注释
 1. 技术参数:
 壳体材料: 铝合金
 表面处理: 见表格
 防护等级: IP68 (配合)

T1902164020-000	H16BPR-TG/SHC-M20/M40	H16BPR HOOD, CENCER LOCKING, TOP ENTRY WITH M20, SIDE ENTRY WITH M40, POWDER COATED, SILVER WHITE H16BPR中部锁定顶出M20侧出M40上壳, 银白色粉末喷涂	M20	M40
T1902164025-000	H16BPR-TG/SHC-M40/M25	H16BPR HOOD, CENCER LOCKING, TOP ENTRY WITH M40, SIDE ENTRY WITH M25, POWDER COATED, SILVER WHITE H16BPR中部锁定顶出M40侧出M25上壳, 银白色粉末喷涂	M40	M25
T1902163240-000	H16BPR-TG/SHC-M32/M40	H16BPR HOOD, CENCER LOCKING, TOP ENTRY WITH M32, SIDE ENTRY WITH M40, POWDER COATED, SILVER WHITE H16BPR中部锁定顶出M32侧出M40上壳, 银白色粉末喷涂	M32	M40
PART NUMBER 料号	PART DESCRIPTION 描述	PG/M THREAD-2 PG/M 螺纹孔-2	PG/M THREAD-1 PG/M 螺纹孔-1	

THIS DRAWING IS A CONTROLLED DOCUMENT.		DWN GINO.YAO 13JUN2015	STE TE Connectivity	
		CHK CHRIS.WANG 13JUN2015		
DIMENSIONS: mm		APVD XIANG.XU 13JUN2015	NAME H16BPR-TG/SHC-PG/M	
TOLERANCES UNLESS OTHERWISE SPECIFIED:		PRODUCT SPEC 108-137014	RESTRICTED TO	
0 PLC ±		APPLICATION SPEC 114-137014	SIZE A2	CAGE CODE
1 PLC ±		WEIGHT	DRAWING NO G-T190216XXXXX00	REV B
2 PLC ±		Customer Drawing	SCALE 1:1	SHEET OF
3 PLC ±				
4 PLC ±				
ANGLES ±				
FINISH				

Printed on 24 May 2021 11:16 (China Standard Time) from IE236667