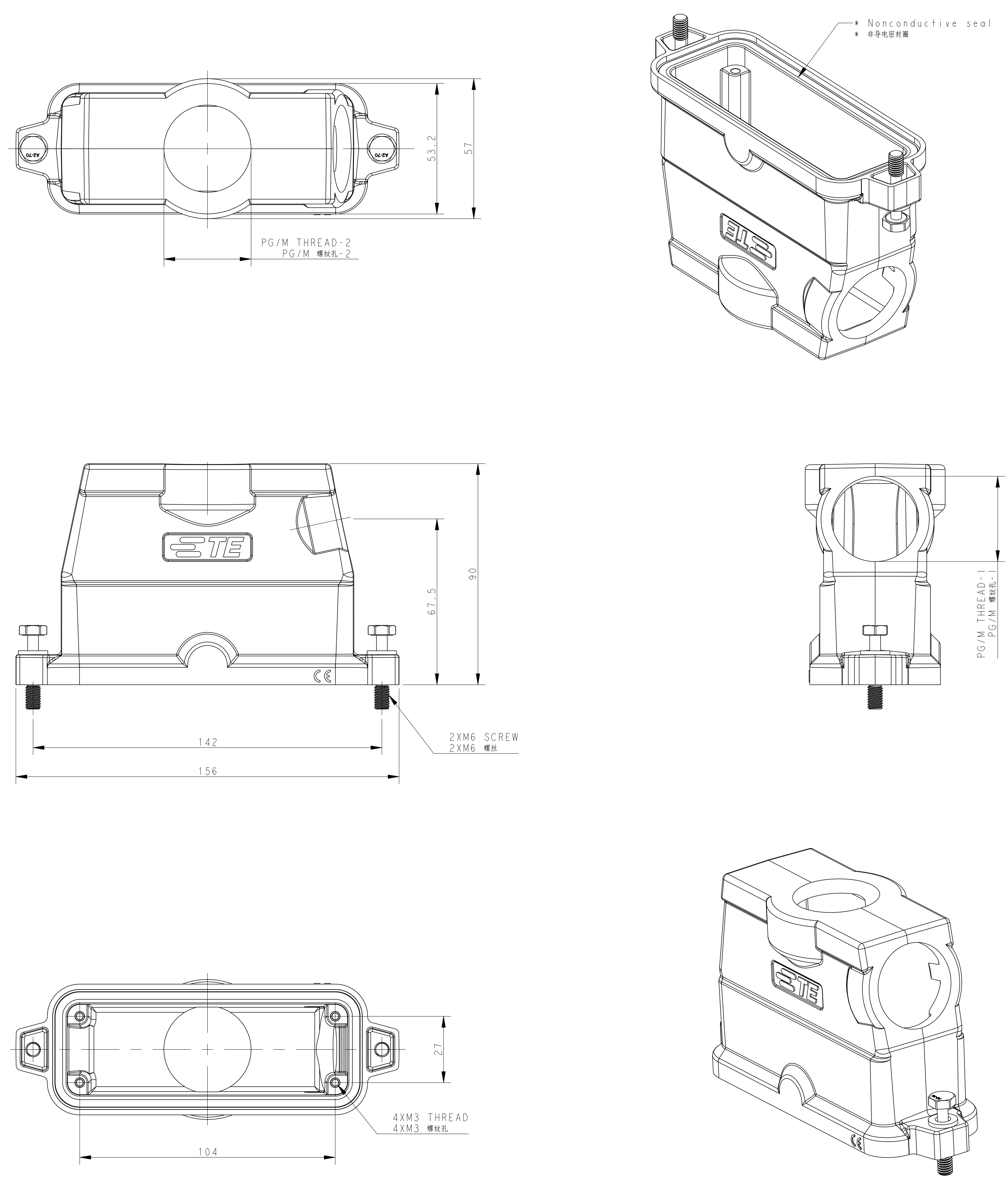


TYPE 1 类型1

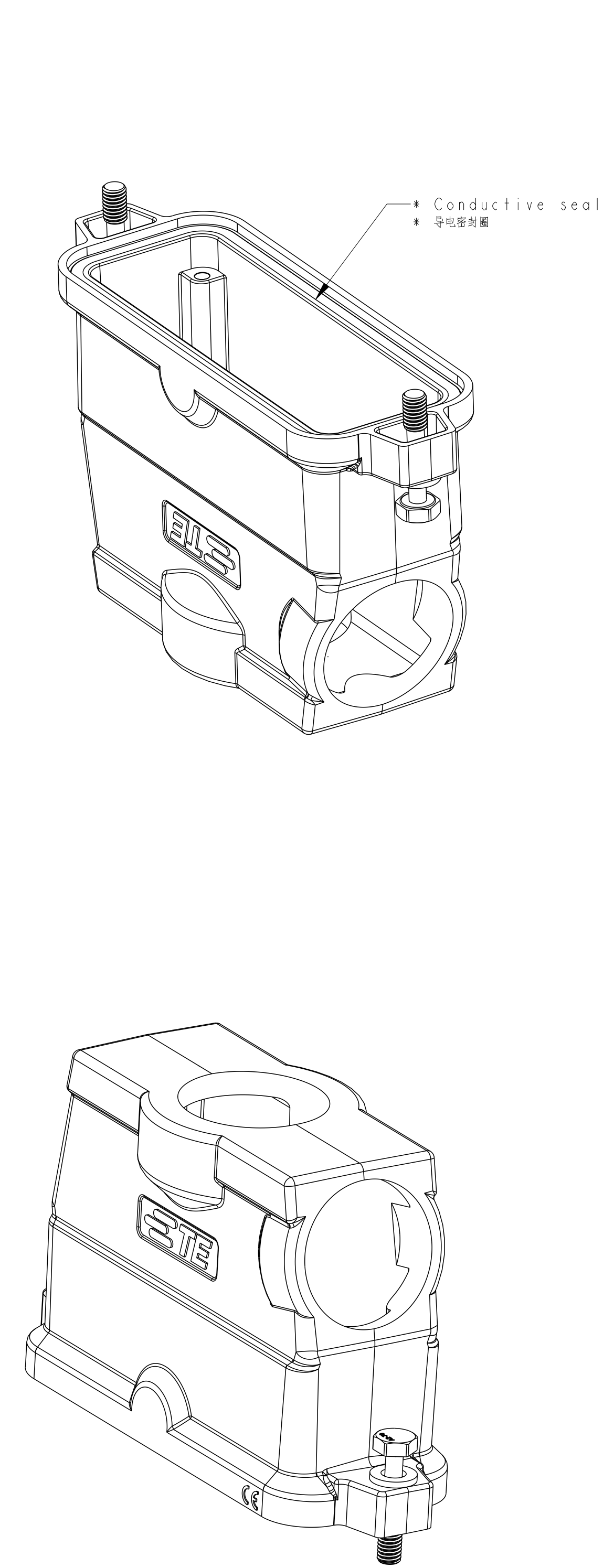
With nonconductive seal/带非导电密封胶



All dimension is same as TYPE 1, except those defined in this TYPE
 除了在本类型中定义的尺寸外, 其他尺寸同类型1

TYPE 2 类型2

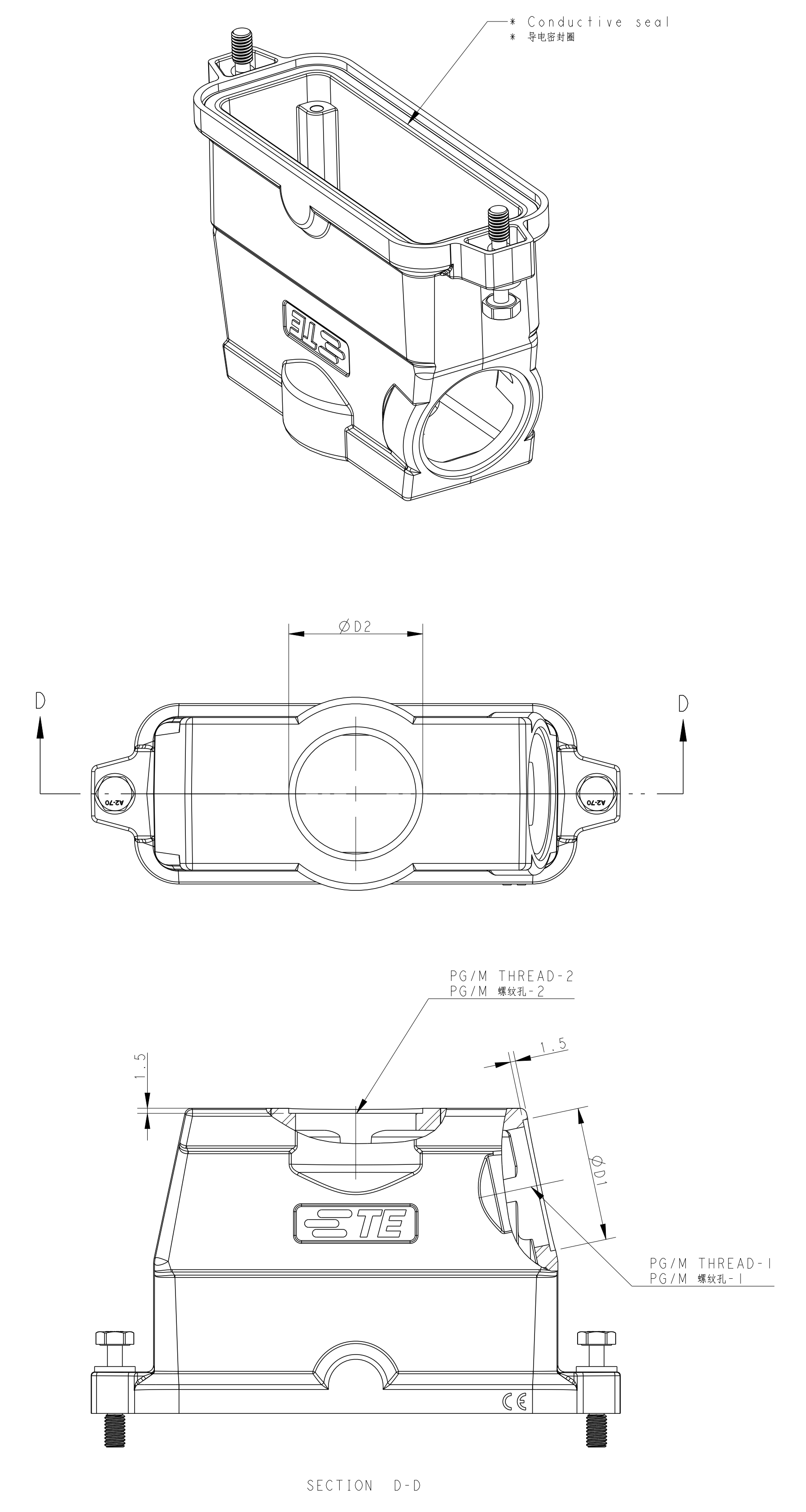
With conductive seal/带导电密封胶



All dimension is same as TYPE 1, except those defined in this TYPE
 除了在本类型中定义的尺寸外, 其他尺寸同类型1

TYPE 3 类型3

With conductive seal/带导电密封胶

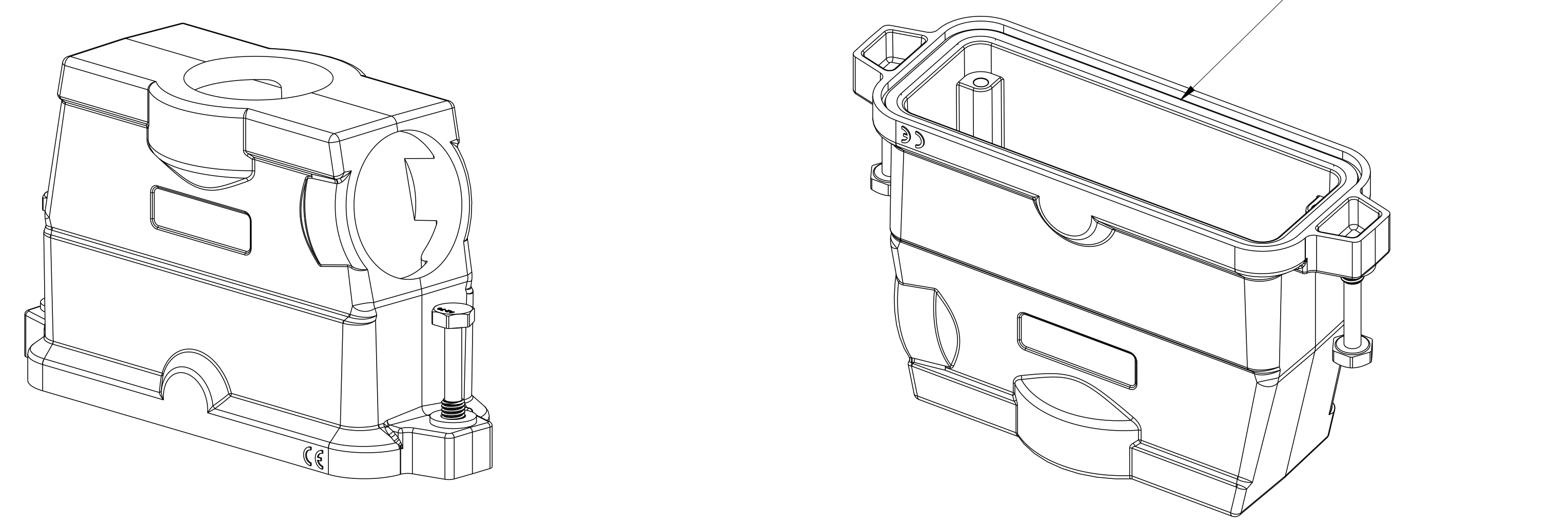


All dimension is same as TYPE 1, except those defined in this TYPE
 除了在本类型中定义的尺寸外, 其他尺寸同类型1

REVISIONS				
REV	DATE	DESCRIPTION	BY	APPD
B4	ECR-18-017123		2508C018	KW CW
B5	ECR-19-007133		1604F019	BS CW
C	ECR-20-014403		2004F021	BS CW
C1	ECR-24-210668		04JUN24	BW CW

TYPE 4 类型4

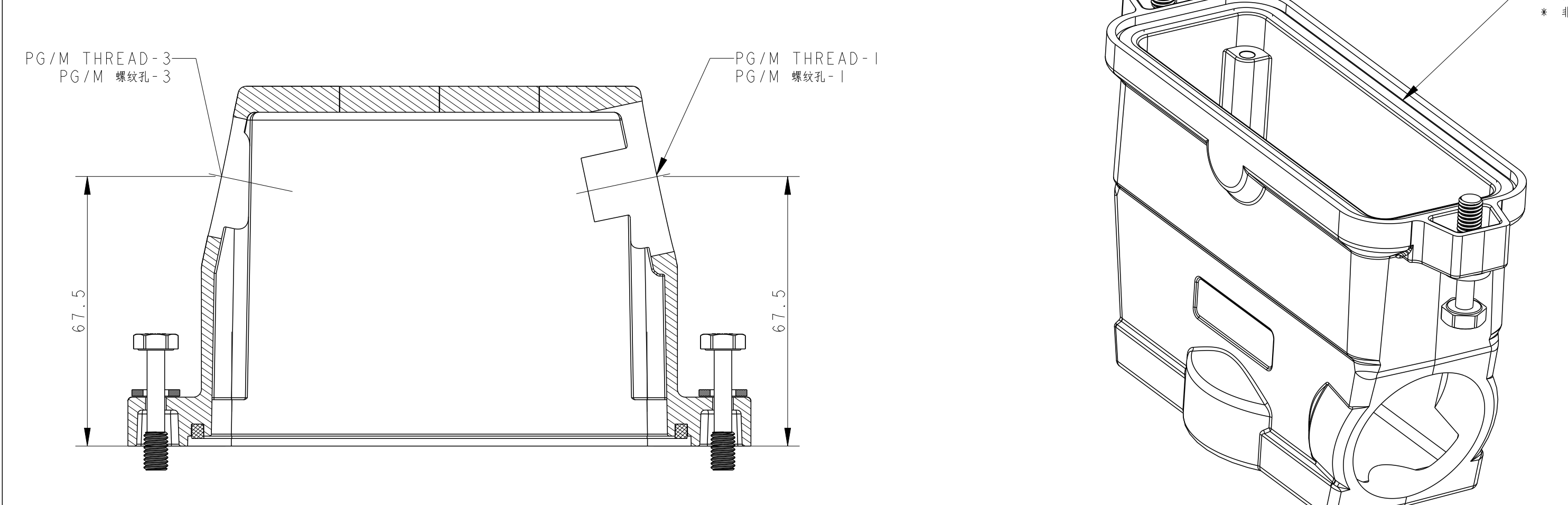
With nonconductive seal, No logo/带非导电密封胶, 无Logo



All dimension is same as TYPE 1, except those defined in this TYPE
 除了在本类型中定义的尺寸外, 其他尺寸同类型1

TYPE 5 类型5

With nonconductive seal, Two side entry, No logo/带非导电密封胶, 双侧进, 无Logo



All dimension is same as TYPE 1, except those defined in this TYPE
 除了在本类型中定义的尺寸外, 其他尺寸同类型1

THIS DRAWING IS A CONTROLLED DOCUMENT.		DATE: 16 JUN 2015	BY: G.Luo_Yao	APPROVED: 16 JUN 2015	BY: C.Li.J.Wang
DIMENSIONS:		0 P/LC	1 P/LC	2 P/LC	3 P/LC
MATERIAL:		FINISH:	WEIGHT:	ANGLE:	FINISH:
CUSTOMER DRAWING		SCALE: 1:1	SHEET: 1 of 2	REV: C1	



H24BPR-TS/GHC-PG/M AND
 H24BPR-TG/SHC-PG/M

