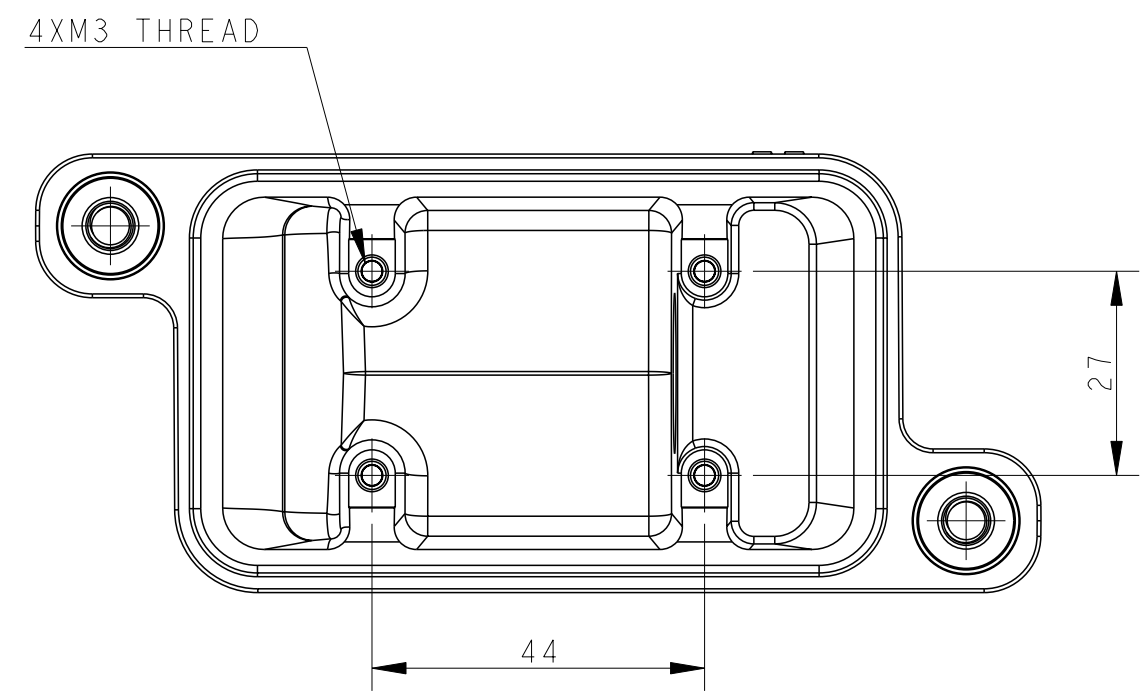
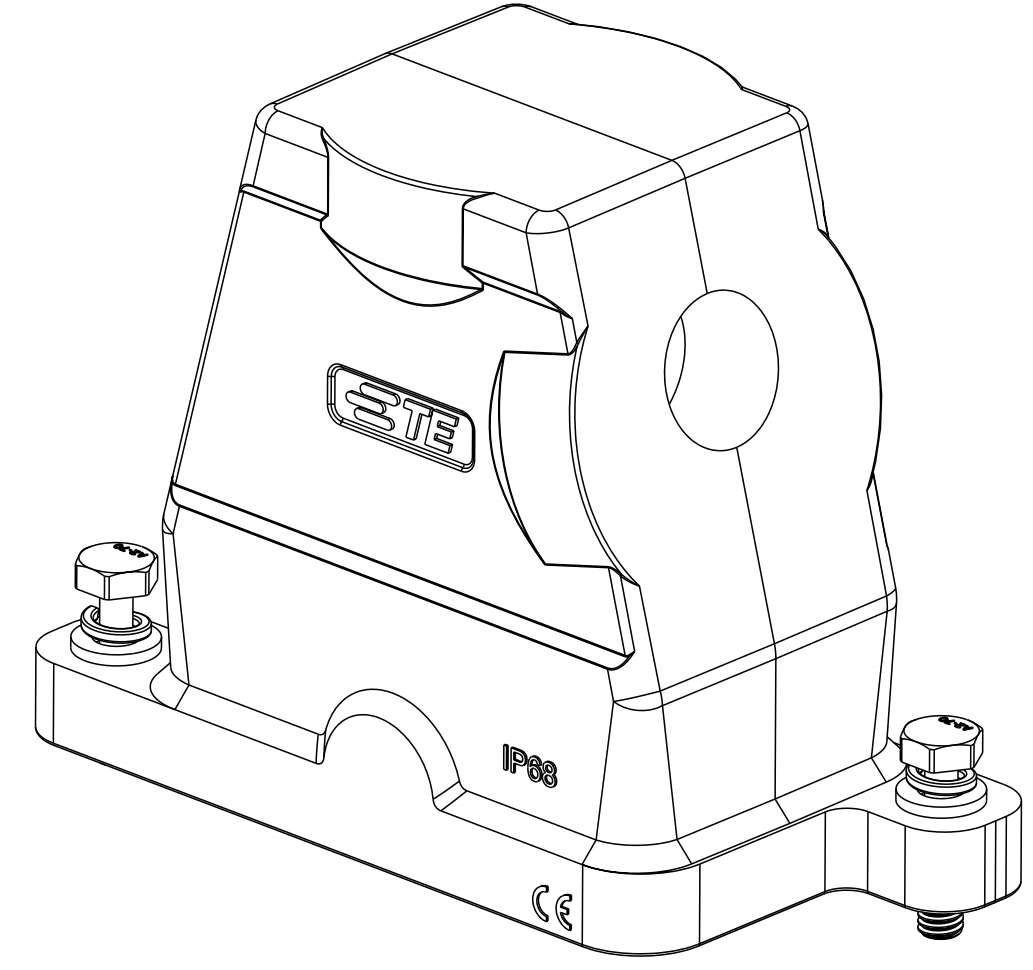
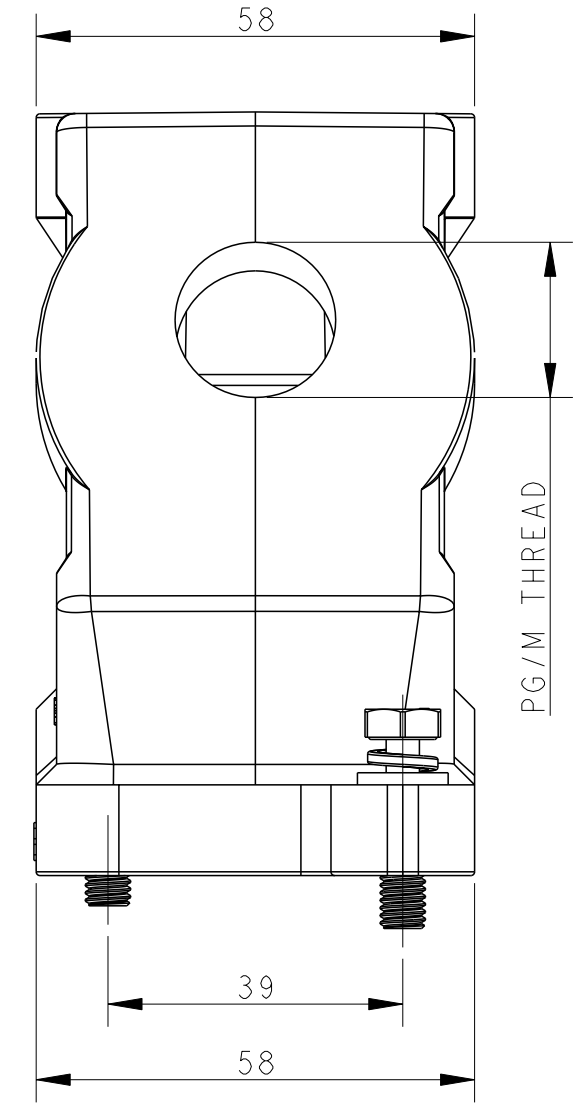
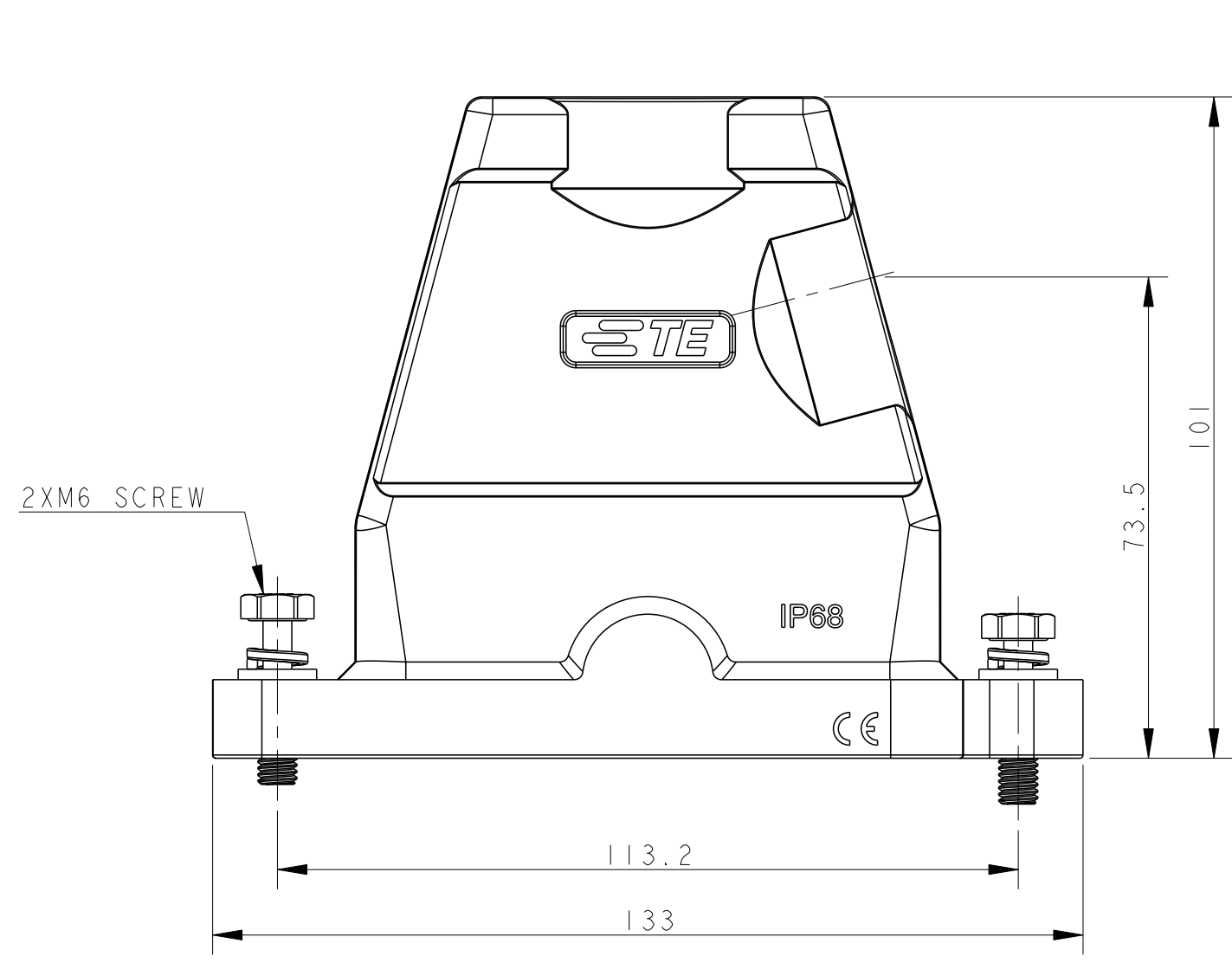


THIS DRAWING IS UNPUBLISHED. RELEASED FOR PUBLICATION 20
 © COPYRIGHT 20 BY - ALL RIGHTS RESERVED.

REVISIONS				
P	LTR	DESCRIPTION	DATE	DWN APVD
A		INITIAL RELEASE	20MAY2015	GY CW
A1		ECR-20-007914, ADD NEW PN	13JUL2020	DL CW
B		ECR-20-011774	30APR2021	BS CW



PART NUMBER	SURFACE TREATMENT	DESCRIPTION	PG/M THREAD
T1910062140-000	POWDER COATED, GREY 表面喷涂, 灰色	H6BPR-TSH-M40 H6BPR上壳, 对角锁定, 侧出M40, 灰色粉末喷涂	M40
T1910062132-000		H6BPR-TSH-M32 H6BPR上壳, 对角锁定, 侧出M32, 灰色粉末喷涂	M32
T1910062129-000		H6BPR-TSH-PG29 H6BPR上壳, 对角锁定, 侧出PG29, 灰色粉末喷涂	PG29
T1910062125-000		H6BPR-TSH-M25 H6BPR上壳, 对角锁定, 侧出M25, 灰色粉末喷涂	M25
T1910062121-000		H6BPR-TSH-PG21 H6BPR上壳, 对角锁定, 侧出PG21, 灰色粉末喷涂	PG21
T1910062120-000		H6BPR-TSH-M20 H6BPR上壳, 对角锁定, 侧出M20, 灰色粉末喷涂	M20
T1910062116-000	H6BPR-TSH-PG16 H6BPR上壳, 对角锁定, 侧出PG16, 灰色粉末喷涂	PG16	
T1910061140-000	POWDER COATED, SILVER WHITE 表面喷涂, 银白色	H6BPR-TSH-M40 H6BPR上壳, 对角锁定, 侧出M40, 银白色粉末喷涂	M40
T1910061132-000		H6BPR-TSH-M32 H6BPR上壳, 对角锁定, 侧出M32, 银白色粉末喷涂	M32
T1910061129-000		H6BPR-TSH-PG29 H6BPR上壳, 对角锁定, 侧出PG29, 银白色粉末喷涂	PG29
T1910061125-000		H6BPR-TSH-M25 H6BPR上壳, 对角锁定, 侧出M25, 银白色粉末喷涂	M25
T1910061121-000		H6BPR-TSH-PG21 H6BPR上壳, 对角锁定, 侧出PG21, 银白色粉末喷涂	PG21
T1910061120-000		H6BPR-TSH-M20 H6BPR上壳, 对角锁定, 侧出M20, 银白色粉末喷涂	M20
T1910061116-000	H6BPR-TSH-PG16 H6BPR上壳, 对角锁定, 侧出PG16, 银白色粉末喷涂	PG16	
T1910060140-000	POWDER COATED, BLACK 表面喷涂, 黑色	H6BPR-TSH-M40 H6BPR上壳, 对角锁定, 侧出M40, 黑色粉末喷涂	M40
T1910060132-000		H6BPR-TSH-M32 H6BPR上壳, 对角锁定, 侧出M32, 黑色粉末喷涂	M32
T1910060129-000		H6BPR-TSH-PG29 H6BPR上壳, 对角锁定, 侧出PG29, 黑色粉末喷涂	PG29
T1910060125-000		H6BPR-TSH-M25 H6BPR上壳, 对角锁定, 侧出M25, 黑色粉末喷涂	M25
T1910060121-000		H6BPR-TSH-PG21 H6BPR上壳, 对角锁定, 侧出PG21, 黑色粉末喷涂	PG21
T1910060120-000		H6BPR-TSH-M20 H6BPR上壳, 对角锁定, 侧出M20, 黑色粉末喷涂	M20
T1910060116-000	H6BPR-TSH-PG16 H6BPR上壳, 对角锁定, 侧出PG16, 黑色粉末喷涂	PG16	
T1910060106-000	H6BPR-TSH-M16 H6BPR上壳, 对角锁定, 侧出M16, 黑色粉末喷涂	M16	
PART NUMBER	SURFACE TREATMENT	DESCRIPTION	PG/M THREAD
料号	表面处理	描述	螺纹孔

NOTES:
 1. TECHNICAL CHARACTERISTICS:
 HOOD MATERIAL: DIE CAST ALUMINIUM ALLOY
 SURFACE TREATMENT: SEE TABLE
 DEGREE OF PROTECTION: IP68 (MATED)

注释
 1. 技术参数:
 壳体材料: 铝合金
 表面处理: 见表格
 防护等级: IP68 (配合)

THIS DRAWING IS A CONTROLLED DOCUMENT.

DWN: Gino Yao 20MAY2015
 CHK: Chris Wang 20MAY2015
 APVD: Xiang Xu 20MAY2015

PRODUCT SPEC: 108-137014
 APPLICATION SPEC: 114-137014

NAME: H6BPR-TSH-PG/M

SIZE: A2 CAGE CODE: - DRAWING NO: C-T191006XXXXX00 RESTRICTED TO: -
 WEIGHT: - SCALE: 1:1 SHEET: 1 OF 1 REV: B

Customer Drawing

Printed on 30 Apr 2021 15:15 (China Standard Time) from IE236667