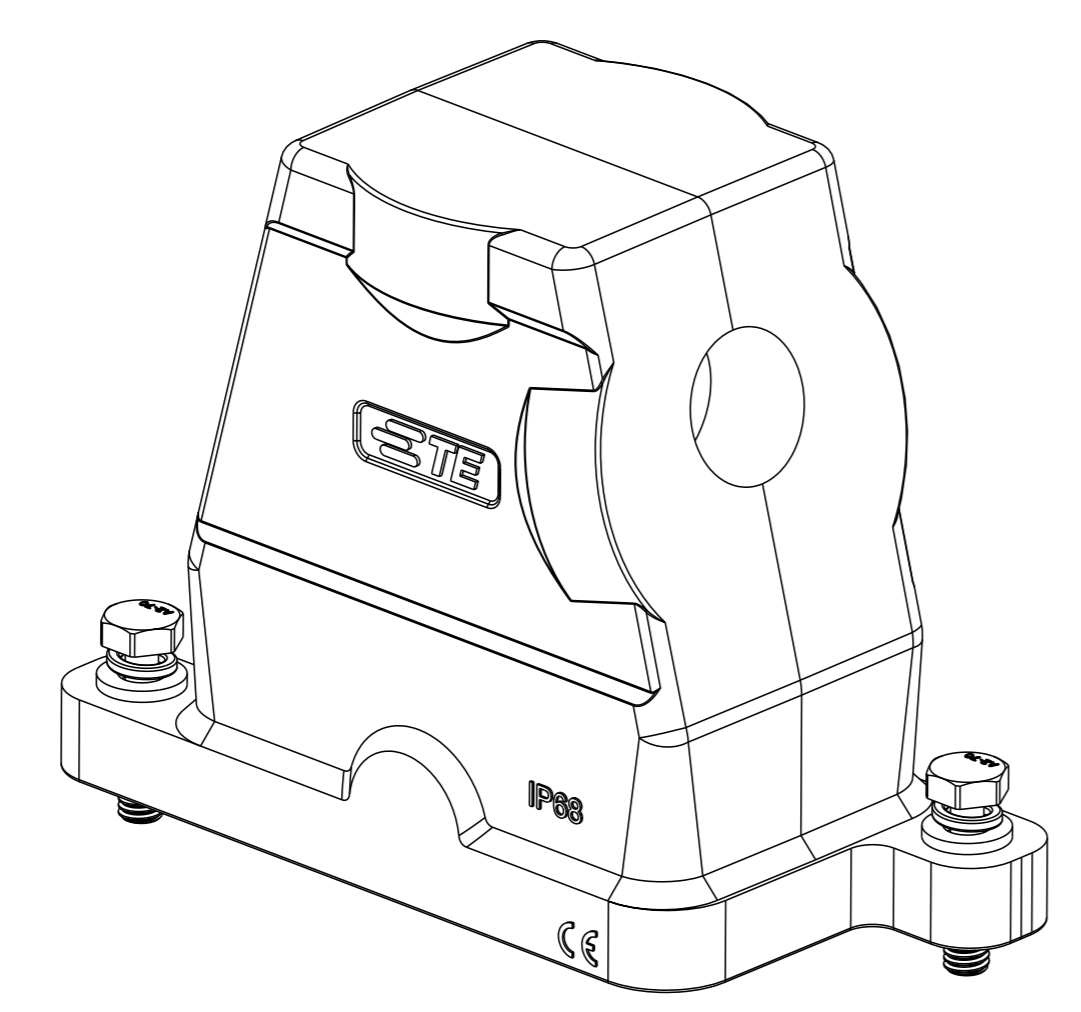
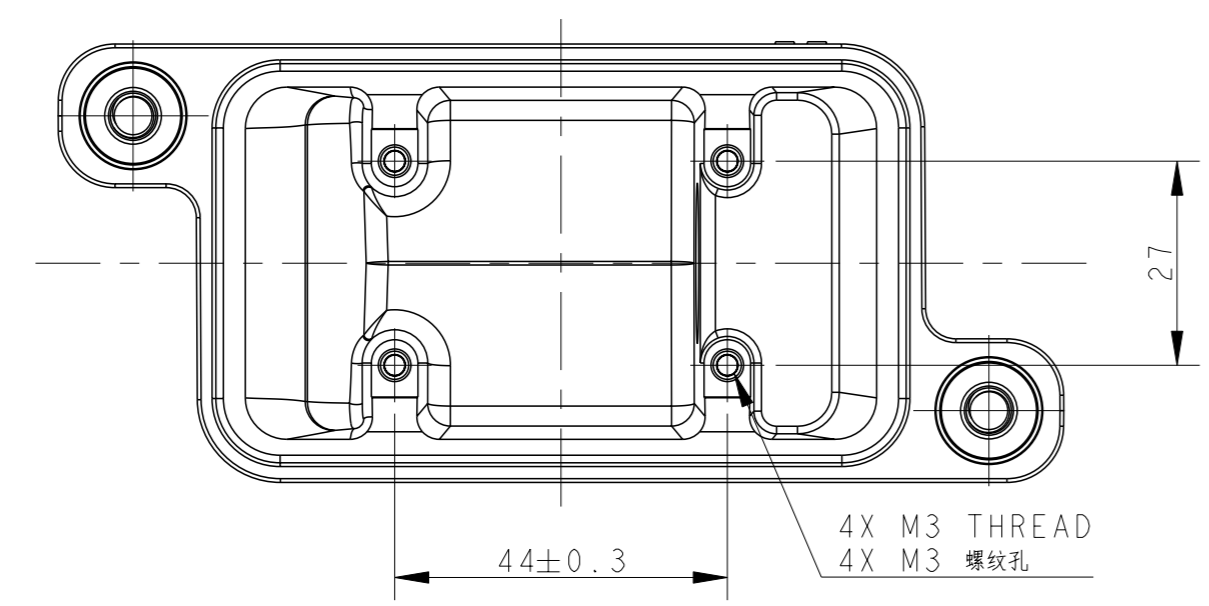
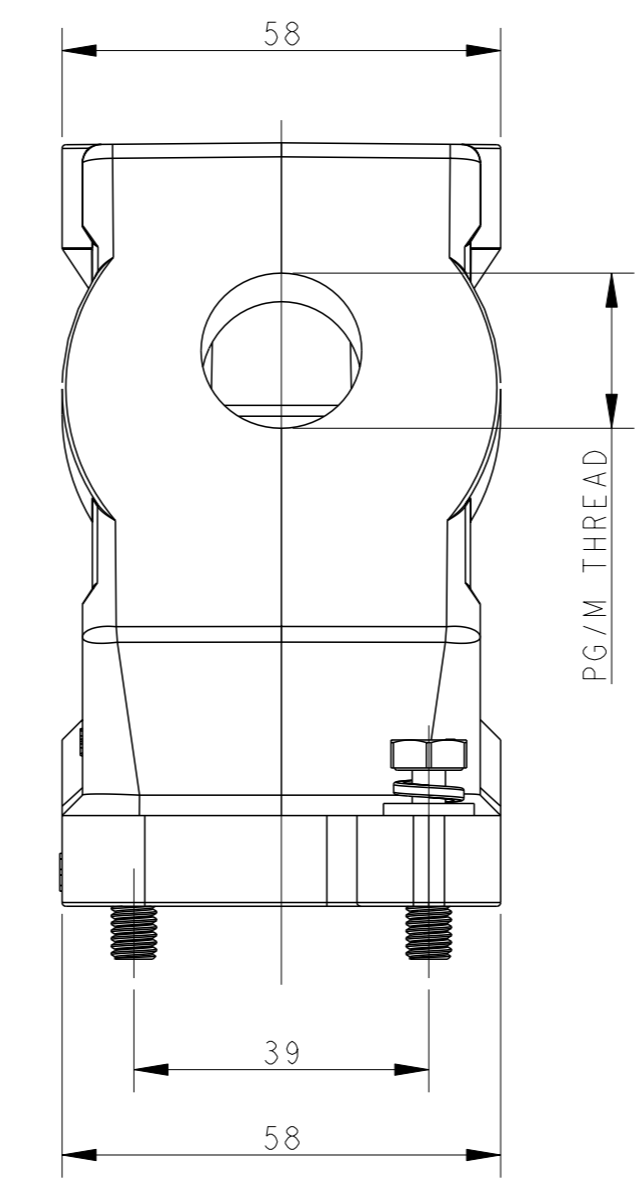
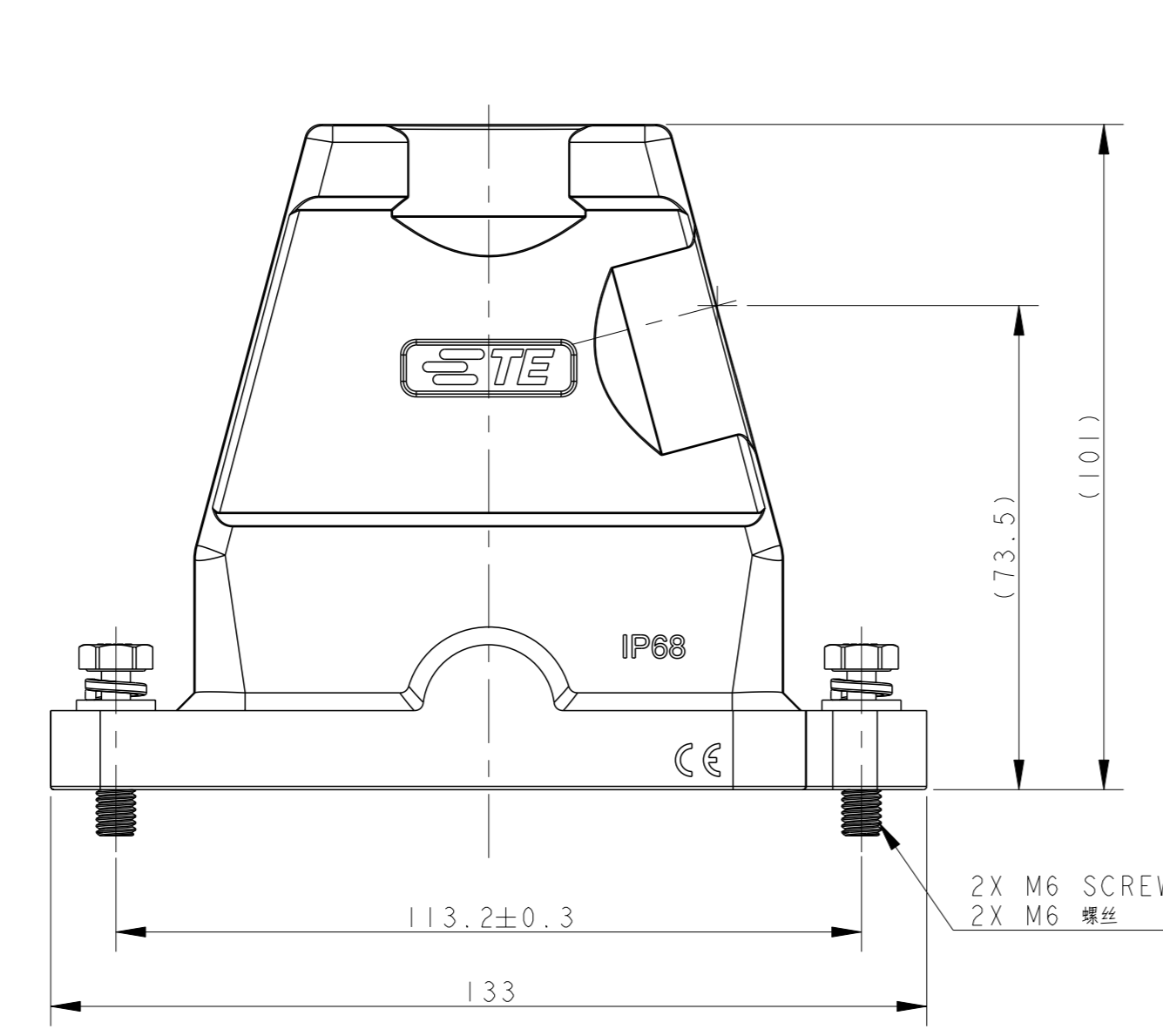


REVISIONS				
#	CT#	DESCRIPTION	DATE	OWN APVD
A		INITIAL RELEASE	24SEP2016	DW CW
B		ECR-20-016312	03JUN2021	BS CW



NOTES:
 1. TECHNICAL CHARACTERISTICS:
 HOOD MATERIAL: DIE CAST ALUMINIUM ALLOY
 SURFACE: SEE TABLE
 DEGREE OF PROTECTION: IP68 (MATED)

注释:
 1. 技术参数:
 壳体材料: 铝合金
 表面处理: 见表格
 防护等级: IP68 (配合)

PART NUMBER	料号	PART DESCRIPTION	描述	PG/M THREAD	PG/M 螺纹
T1910062140-009	H6BPR-TSH-M40-EMC-C	H6BPR HOOD, DIAGONAL LOCKING, SIDE ENTRY M40, POWDER COATED,GREY	H6BPR 对角锁定侧出壳M40 灰色	M40	
T1910062132-009	H6BPR-TSH-M32-EMC-C	H6BPR HOOD, DIAGONAL LOCKING, SIDE ENTRY M32, POWDER COATED,GREY	H6BPR 对角锁定侧出壳M32 灰色	M32	
T1910062129-009	H6BPR-TSH-PG29-EMC-C	H6BPR HOOD, DIAGONAL LOCKING, SIDE ENTRY PG29, POWDER COATED,GREY	H6BPR 对角锁定侧出壳PG29 灰色	PG29	
T1910062125-009	H6BPR-TSH-M25-EMC-C	H6BPR HOOD, DIAGONAL LOCKING, SIDE ENTRY M25, POWDER COATED,GREY	H6BPR 对角锁定侧出壳M25 灰色	M25	
T1910062121-009	H6BPR-TSH-PG21-EMC-C	H6BPR HOOD, DIAGONAL LOCKING, SIDE ENTRY PG21, POWDER COATED,GREY	H6BPR 对角锁定侧出壳PG21 灰色	PG21	
T1910062120-009	H6BPR-TSH-M20-EMC-C	H6BPR HOOD, DIAGONAL LOCKING, SIDE ENTRY M20, POWDER COATED,GREY	H6BPR 对角锁定侧出壳M20 灰色	M20	
T1910062116-009	H6BPR-TSH-PG16-EMC-C	H6BPR HOOD, DIAGONAL LOCKING, SIDE ENTRY PG16, POWDER COATED,GREY	H6BPR 对角锁定侧出壳PG16 灰色	PG16	
T1910061140-009	H6BPR-TSH-M40-EMC-C	H6BPR HOOD, DIAGONAL LOCKING, SIDE ENTRY M40, POWDER COATED,SILVER WHITE	H6BPR 对角锁定侧出壳M40 银白色	M40	
T1910061132-009	H6BPR-TSH-M32-EMC-C	H6BPR HOOD, DIAGONAL LOCKING, SIDE ENTRY M32, POWDER COATED,SILVER WHITE	H6BPR 对角锁定侧出壳M32 银白色	M32	
T1910061129-009	H6BPR-TSH-PG29-EMC-C	H6BPR HOOD, DIAGONAL LOCKING, SIDE ENTRY PG29, POWDER COATED,SILVER WHITE	H6BPR 对角锁定侧出壳PG29 银白色	PG29	
T1910061125-009	H6BPR-TSH-M25-EMC-C	H6BPR HOOD, DIAGONAL LOCKING, SIDE ENTRY M25, POWDER COATED,SILVER WHITE	H6BPR 对角锁定侧出壳M25 银白色	M25	
T1910061121-009	H6BPR-TSH-PG21-EMC-C	H6BPR HOOD, DIAGONAL LOCKING, SIDE ENTRY PG21, POWDER COATED,SILVER WHITE	H6BPR 对角锁定侧出壳PG21 银白色	PG21	
T1910061120-009	H6BPR-TSH-M20-EMC-C	H6BPR HOOD, DIAGONAL LOCKING, SIDE ENTRY M20, POWDER COATED,SILVER WHITE	H6BPR 对角锁定侧出壳M20 银白色	M20	
T1910061116-009	H6BPR-TSH-PG16-EMC-C	H6BPR HOOD, DIAGONAL LOCKING, SIDE ENTRY PG16, POWDER COATED,SILVER WHITE	H6BPR 对角锁定侧出壳PG16 银白色	PG16	
T1910060140-009	H6BPR-TSH-M40-EMC-C	H6BPR HOOD, DIAGONAL LOCKING, SIDE ENTRY M40, POWDER COATED,BLACK	H6BPR 对角锁定侧出壳M40 黑色	M40	
T1910060132-009	H6BPR-TSH-M32-EMC-C	H6BPR HOOD, DIAGONAL LOCKING, SIDE ENTRY M32, POWDER COATED,BLACK	H6BPR 对角锁定侧出壳M32 黑色	M32	
T1910060129-009	H6BPR-TSH-PG29-EMC-C	H6BPR HOOD, DIAGONAL LOCKING, SIDE ENTRY PG29, POWDER COATED,BLACK	H6BPR 对角锁定侧出壳PG29 黑色	PG29	
T1910060125-009	H6BPR-TSH-M25-EMC-C	H6BPR HOOD, DIAGONAL LOCKING, SIDE ENTRY M25, POWDER COATED,BLACK	H6BPR 对角锁定侧出壳M25 黑色	M25	
T1910060121-009	H6BPR-TSH-PG21-EMC-C	H6BPR HOOD, DIAGONAL LOCKING, SIDE ENTRY PG21, POWDER COATED,BLACK	H6BPR 对角锁定侧出壳PG21 黑色	PG21	
T1910060120-009	H6BPR-TSH-M20-EMC-C	H6BPR HOOD, DIAGONAL LOCKING, SIDE ENTRY M20, POWDER COATED,BLACK	H6BPR 对角锁定侧出壳M20 黑色	M20	
T1910060116-009	H6BPR-TSH-PG16-EMC-C	H6BPR HOOD, DIAGONAL LOCKING, SIDE ENTRY PG16, POWDER COATED,BLACK	H6BPR 对角锁定侧出壳PG16 黑色	PG16	

THIS DRAWING IS A CONTROLLED DOCUMENT.		OWN: DAVID WANG 24SEP2016	TE Connectivity NAME: H6BPR-TSH-PG/M-EMC-C
DIMENSIONS:		CHK: CHRIS WANG 24SEP2016	
TOLERANCES UNLESS OTHERWISE SPECIFIED:		APVD: XIANG XU 24SEP2016	
mm: 0 PLC ±, 1 PLC ±, 2 PLC ±, 3 PLC ±, 4 PLC ±, ANGLES FINISH ±		PRODUCT SPEC: 108-137191 APPLICATION SPEC: 114-137191 WEIGHT: - CUSTOMER DRAWING	
MATERIAL:		SIZE: A1	CAGE CODE: - DRAWING NO: C-T191006XXXXX09 RESTRICTED TO: B SCALE: 1:1 SHEET: 1 OF 1