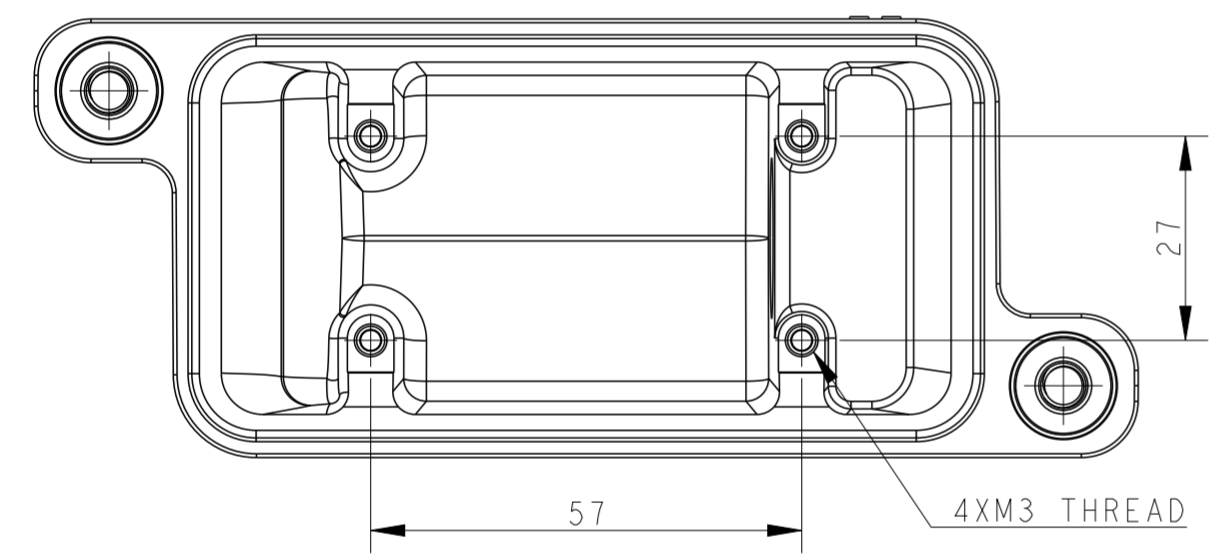
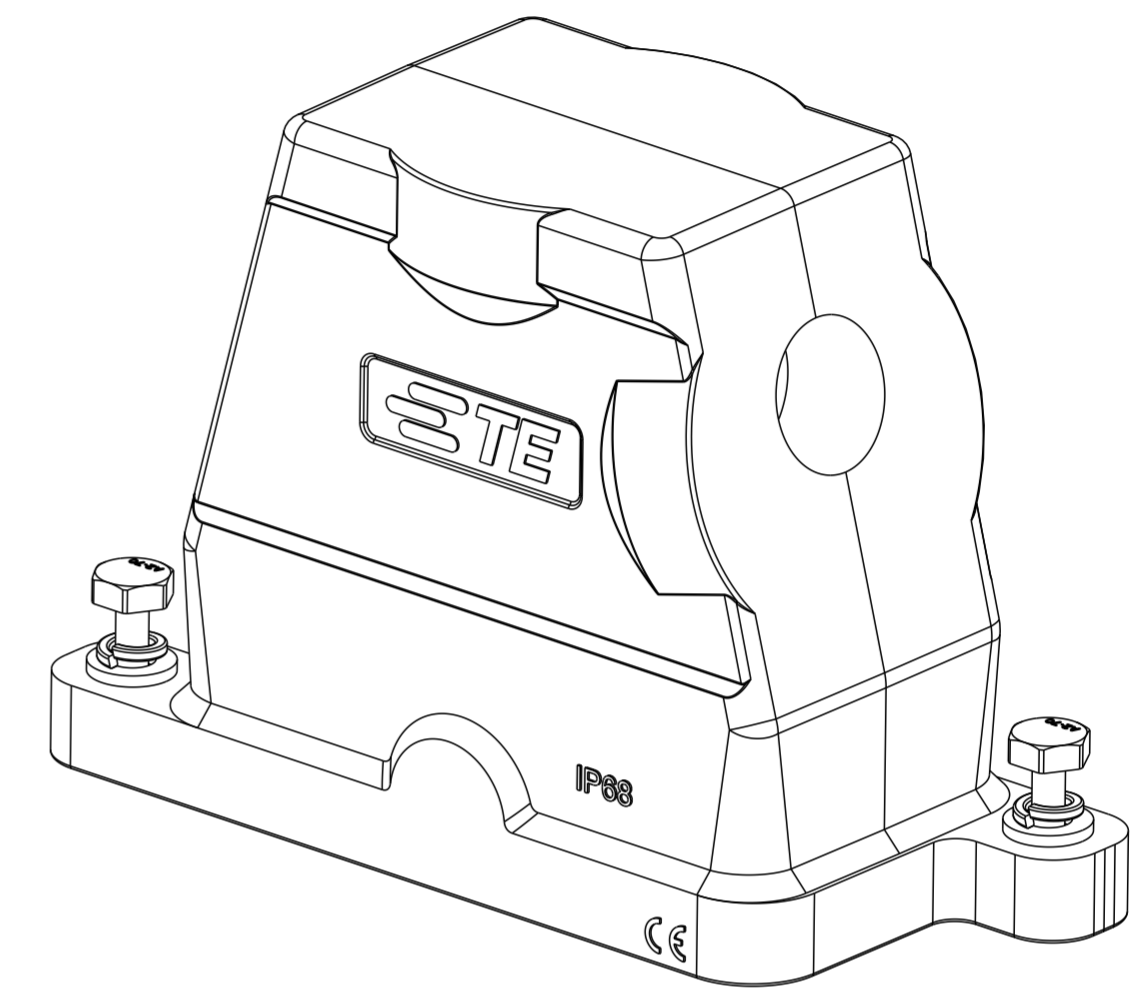
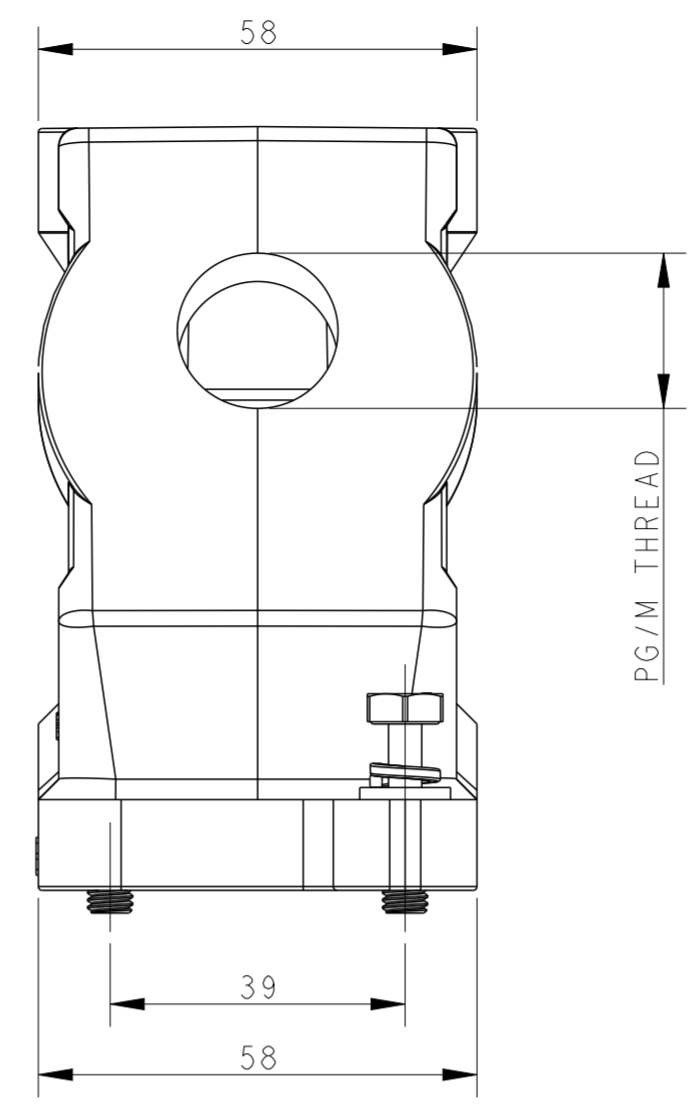
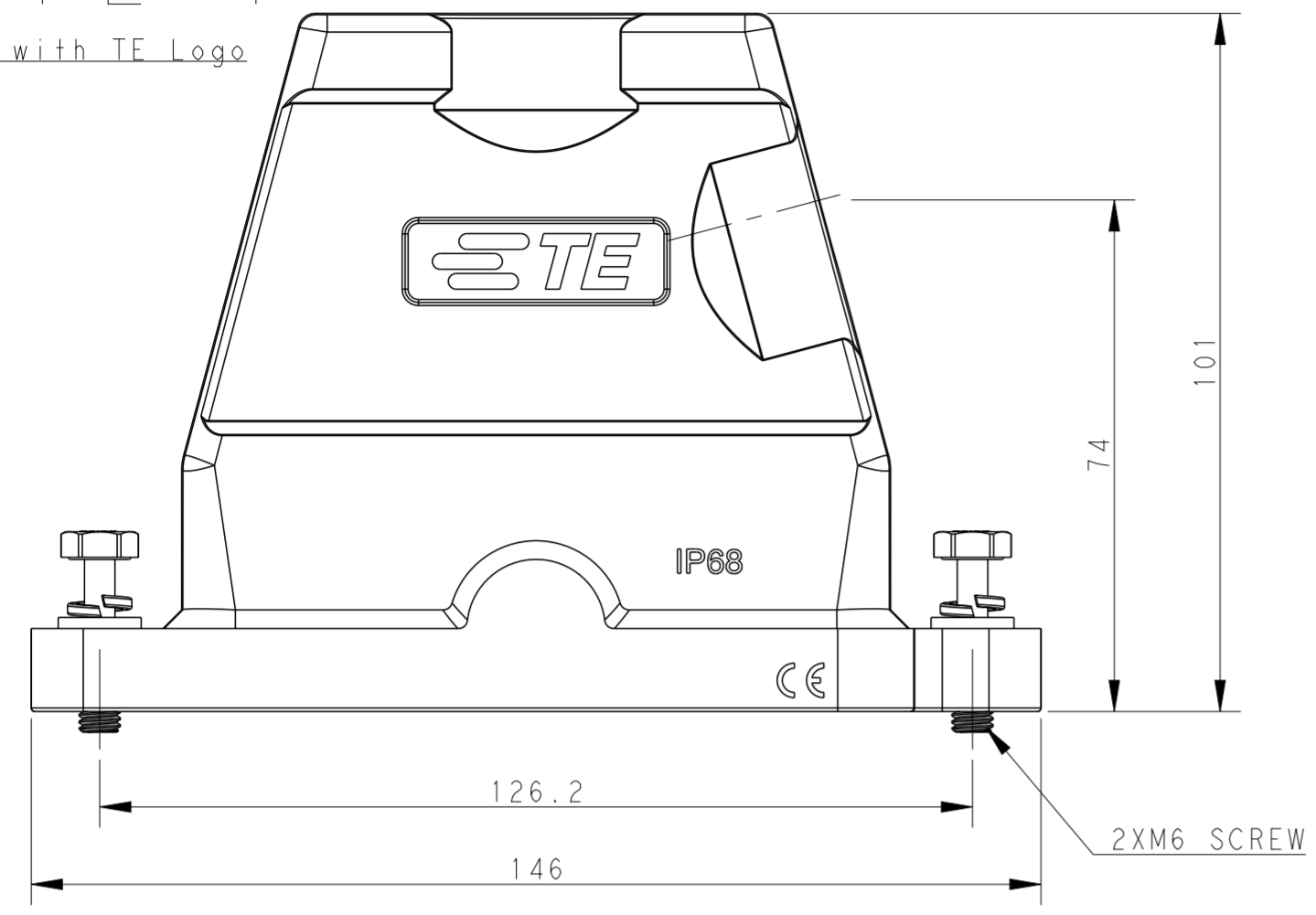


THIS DRAWING IS UNPUBLISHED. RELEASED FOR PUBLICATION 20
 © COPYRIGHT 20 BY - ALL RIGHTS RESERVED.

REVISIONS				
P	LTR	DESCRIPTION	DATE	APVD
A		INITIAL RELEASE	08JUN2015	GY CW
B		ECR-20-012069	08MAY2021	BS CW
B1		ECR-24-220750	14SEP2024	RW GY

TYPE 1

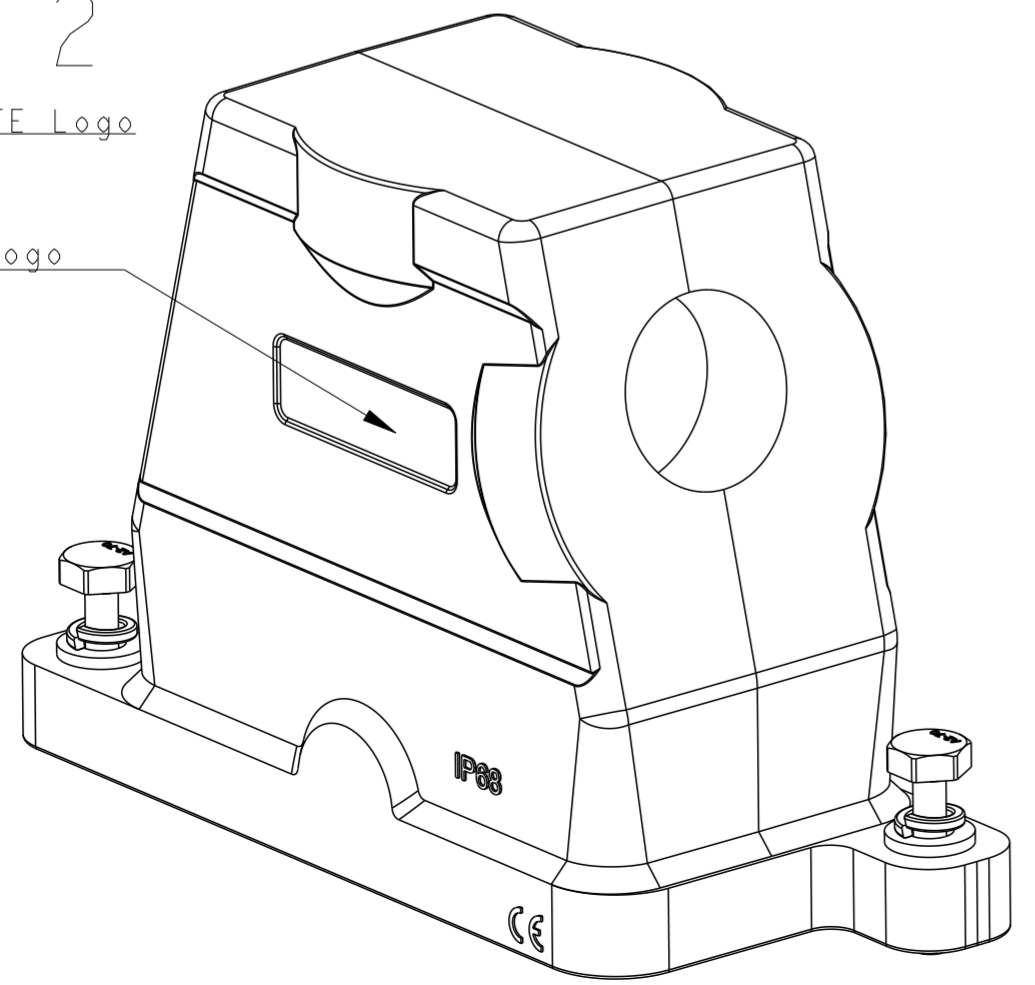
Hood with TE Logo



TYPE 2

Hood without TE Logo

* Without TE Logo



All dimension is same as TYPE 1, except those defined in this TYPE

NOTES:
 1. TECHNICAL CHARACTERISTICS:
 HOOD MATERIAL: DIE CAST ALUMINIUM ALLOY
 SURFACE TREATMENT: SEE TABLE
 DEGREE OF PROTECTION: IP68 (MATED)

注释
 1. 技术参数:
 壳体材料: 铝合金
 表面处理: 见表格
 防护等级: IP68 (配合)

PART NUMBER	SURFACE TREATMENT	DESCRIPTION	PG/M THREAD	TYPE
T1910100121-100	POWDER COATED BLACK	H10BPR-TSH-PG21	PG21	TYPE 2
T1910102132-000	POWDER COATED GRAY	H10BPR-TSH-M32	M32	
T1910102129-000	POWDER COATED GRAY	H10BPR-TSH-PG29	PG29	
T1910102125-000	POWDER COATED GRAY	H10BPR-TSH-M25	M25	
T1910102121-000	POWDER COATED GRAY	H10BPR-TSH-PG21	PG21	
T1910102120-000	POWDER COATED GRAY	H10BPR-TSH-M20	M20	
T1910102116-000	POWDER COATED GRAY	H10BPR-TSH-PG16	PG16	
T1910101132-000	POWDER COATED SILVER WHITE	H10BPR-TSH-M32	M32	
T1910101129-000	POWDER COATED SILVER WHITE	H10BPR-TSH-PG29	PG29	
T1910101125-000	POWDER COATED SILVER WHITE	H10BPR-TSH-M25	M25	
T1910101121-000	POWDER COATED SILVER WHITE	H10BPR-TSH-PG21	PG21	TYPE 1
T1910101120-000	POWDER COATED SILVER WHITE	H10BPR-TSH-M20	M20	
T1910101116-000	POWDER COATED SILVER WHITE	H10BPR-TSH-PG16	PG16	
T1910100140-000	POWDER COATED BLACK	H10BPR-TSH-M40	M40	
T1910100132-000	POWDER COATED BLACK	H10BPR-TSH-M32	M32	
T1910100129-000	POWDER COATED BLACK	H10BPR-TSH-PG29	PG29	
T1910100125-000	POWDER COATED BLACK	H10BPR-TSH-M25	M25	
T1910100121-000	POWDER COATED BLACK	H10BPR-TSH-PG21	PG21	
T1910100120-000	POWDER COATED BLACK	H10BPR-TSH-M20	M20	
T1910100116-000	POWDER COATED BLACK	H10BPR-TSH-PG16	PG16	

THIS DRAWING IS A CONTROLLED DOCUMENT.

DIMENSIONS: mm	TOLERANCES UNLESS OTHERWISE SPECIFIED:	DWN: GINO YAO 08JUN2015	TE Connectivity NAME: H10BPR-TSH-PG/M
	0 PLC ±	CHK: CHRIS WANG 08JUN2015	
	1 PLC ±	APVD: XIANG XU 08JUN2015	
	2 PLC ±	PRODUCT SPEC: 108-137014	
MATERIAL: -	FINISH: -	APPLICATION SPEC: 114-137014	RESTRICTED TO: -
Customer Drawing		WEIGHT: -	SCALE: 1:1 SHEET 1 OF 1 REV: B1