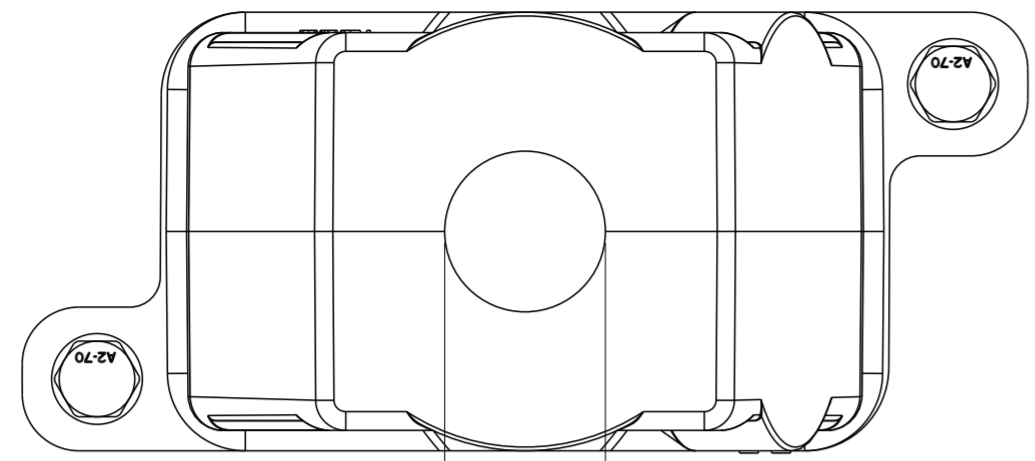


THIS DRAWING IS UNPUBLISHED. RELEASED FOR PUBLICATION 20
 © COPYRIGHT 20 BY - ALL RIGHTS RESERVED.

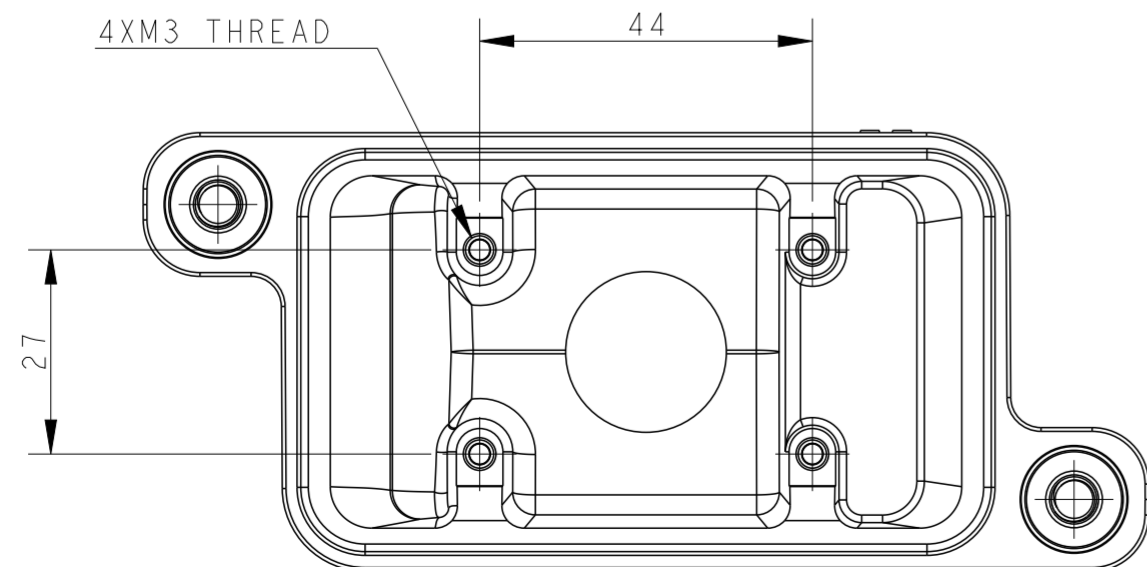
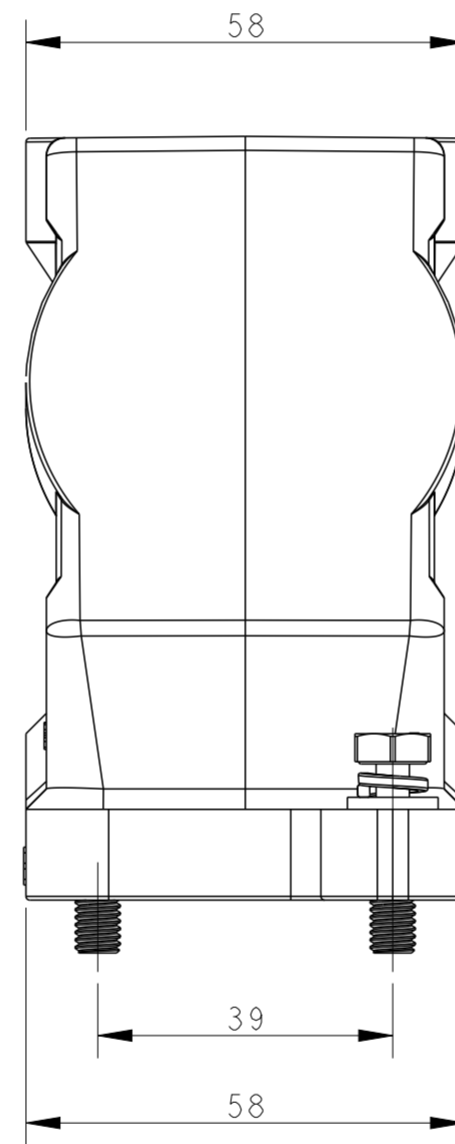
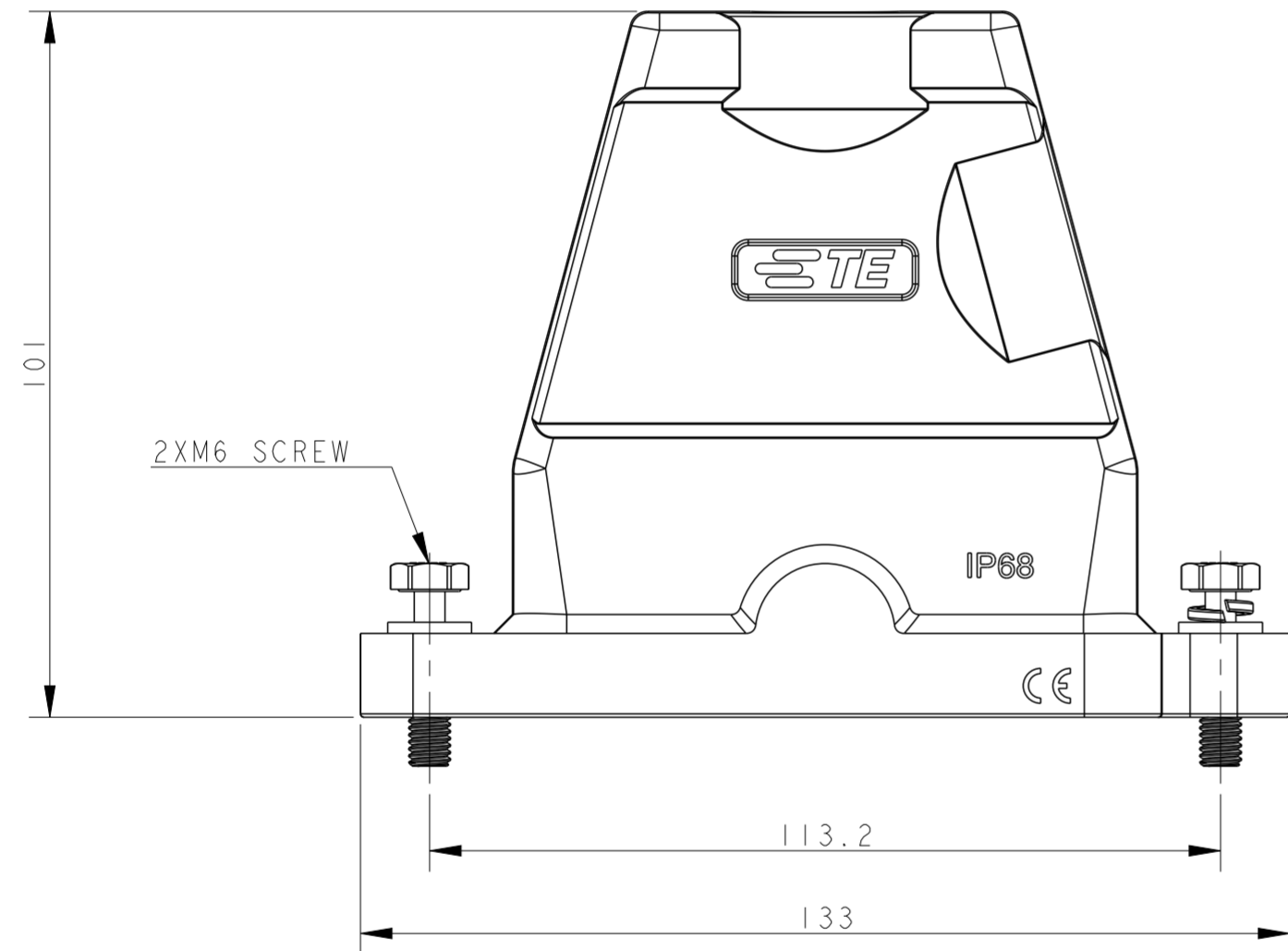
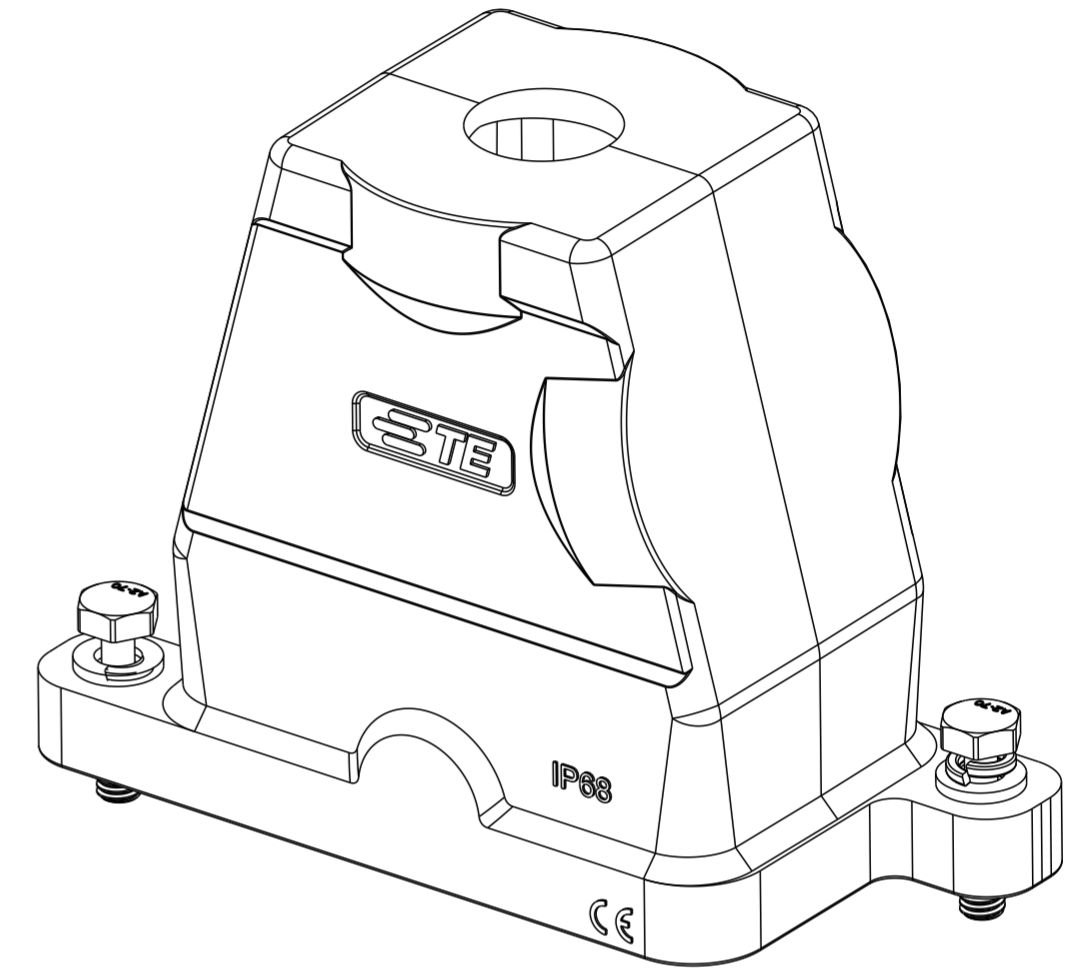
REVISIONS				
P	LTR	DESCRIPTION	DATE	APVD
A		INITIAL RELEASE	21MAY2015	GY CW
B		ECR-20-011774	30APR2021	BS CW
BI		ECR-24-202050	06MAR2024	RW CW

NOTES:
 1. TECHNICAL CHARACTERISTICS:
 HOOD MATERIAL: DIE CAST ALUMINIUM ALLOY
 SURFACE TREATMENT: SEE TABLE
 DEGREE OF PROTECTION: IP68 (MATED)

注释
 1. 技术参数:
 壳体材料: 铝合金
 表面处理: 见表格
 防护等级: IP68 (配合)



PG/M THREAD



T1920062132-000	POWDER COATED GRAY	H6BPR-TGH-M32	M32
T1920062129-000	POWDER COATED GRAY	H6BPR-TGH-PG29	PG29
T1920062125-000	POWDER COATED GRAY	H6BPR-TGH-M25	M25
T1920062121-000	POWDER COATED GRAY	H6BPR-TGH-PG21	PG21
T1920062120-000	POWDER COATED GRAY	H6BPR-TGH-M20	M20
T1920062116-000	POWDER COATED GRAY	H6BPR-TGH-PG16	PG16
T1920061132-000	POWDER COATED SILVER WHITE	H6BPR-TGH-M32	M32
T1920061129-000	POWDER COATED SILVER WHITE	H6BPR-TGH-PG29	PG29
T1920061125-000	POWDER COATED SILVER WHITE	H6BPR-TGH-M25	M25
T1920061121-000	POWDER COATED SILVER WHITE	H6BPR-TGH-PG21	PG21
T1920061120-000	POWDER COATED SILVER WHITE	H6BPR-TGH-M20	M20
T1920061116-000	POWDER COATED SILVER WHITE	H6BPR-TGH-PG16	PG16
T1920060140-000	POWDER COATED BLACK	H6BPR-TGH-M40	M40
T1920060132-000	POWDER COATED BLACK	H6BPR-TGH-M32	M32
T1920060129-000	POWDER COATED BLACK	H6BPR-TGH-PG29	PG29
T1920060125-000	POWDER COATED BLACK	H6BPR-TGH-M25	M25
T1920060121-000	POWDER COATED BLACK	H6BPR-TGH-PG21	PG21
T1920060120-000	POWDER COATED BLACK	H6BPR-TGH-M20	M20
T1920060116-000	POWDER COATED BLACK	H6BPR-TGH-PG16	PG16
PART NUMBER	SURFACE TREATMEN	DESCRIPTION	PG/M THREAD

THIS DRAWING IS A CONTROLLED DOCUMENT.		DWN Gino Yao 21MAY2015	STE TE Connectivity	
DIMENSIONS:		CHK Chris Wang 21MAY2015		
TOLERANCES UNLESS OTHERWISE SPECIFIED:		APVD Xiang Xu 21MAY2015	NAME H6BPR-TGH-PG/M	
0 PLC ±		PRODUCT SPEC 108-137014	SIZE A2	
1 PLC ±		APPLICATION SPEC 114-137014	CAGE CODE -	
2 PLC ±		WEIGHT -	DRAWING NO G-T192006XXXXX00	
3 PLC ±		MATERIAL -	RESTRICTED TO -	
4 PLC ±		Customer Drawing	SCALE 1:1	
ANGLES ±			SHEET OF	
FINISH -			REV BI	