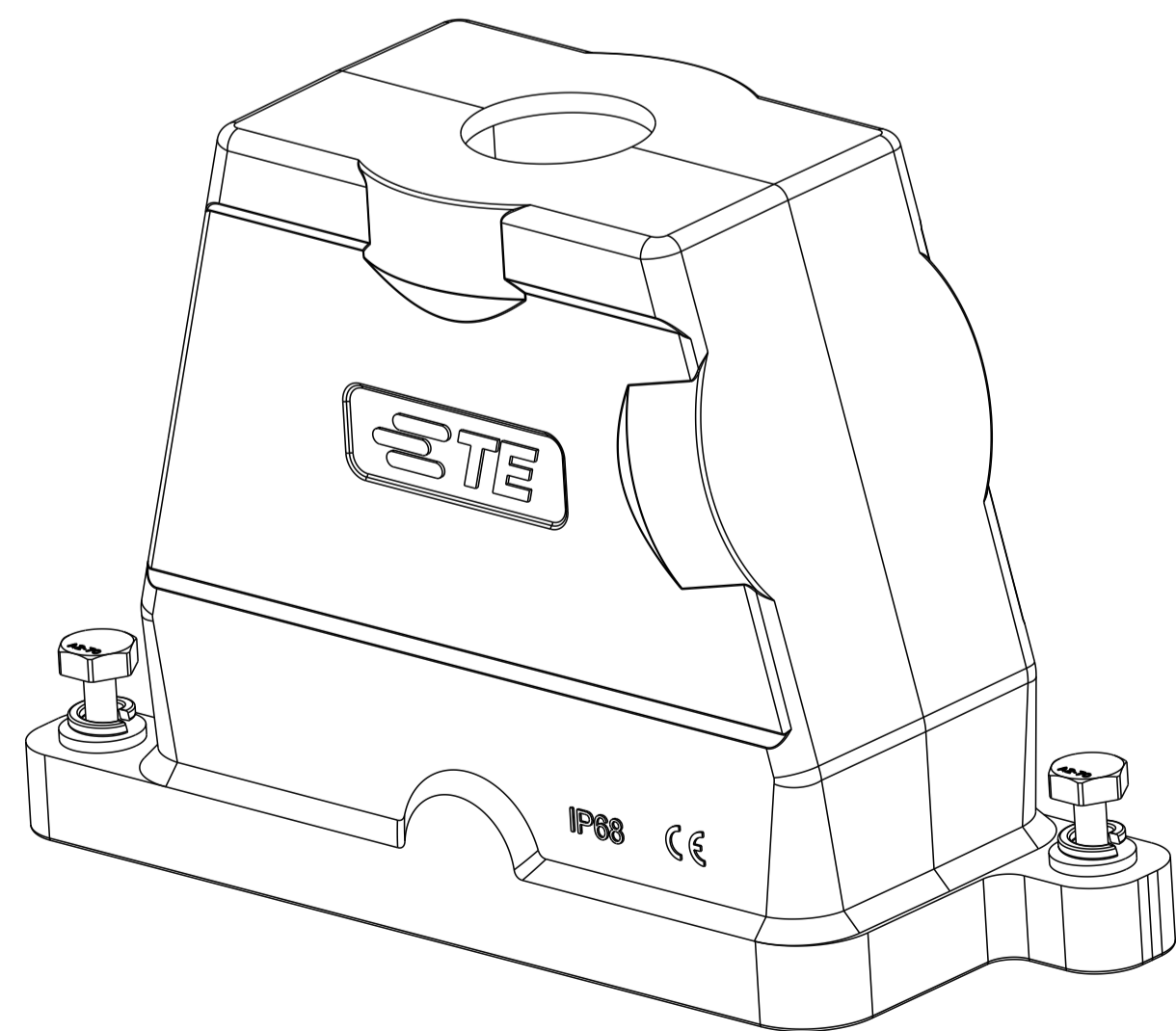
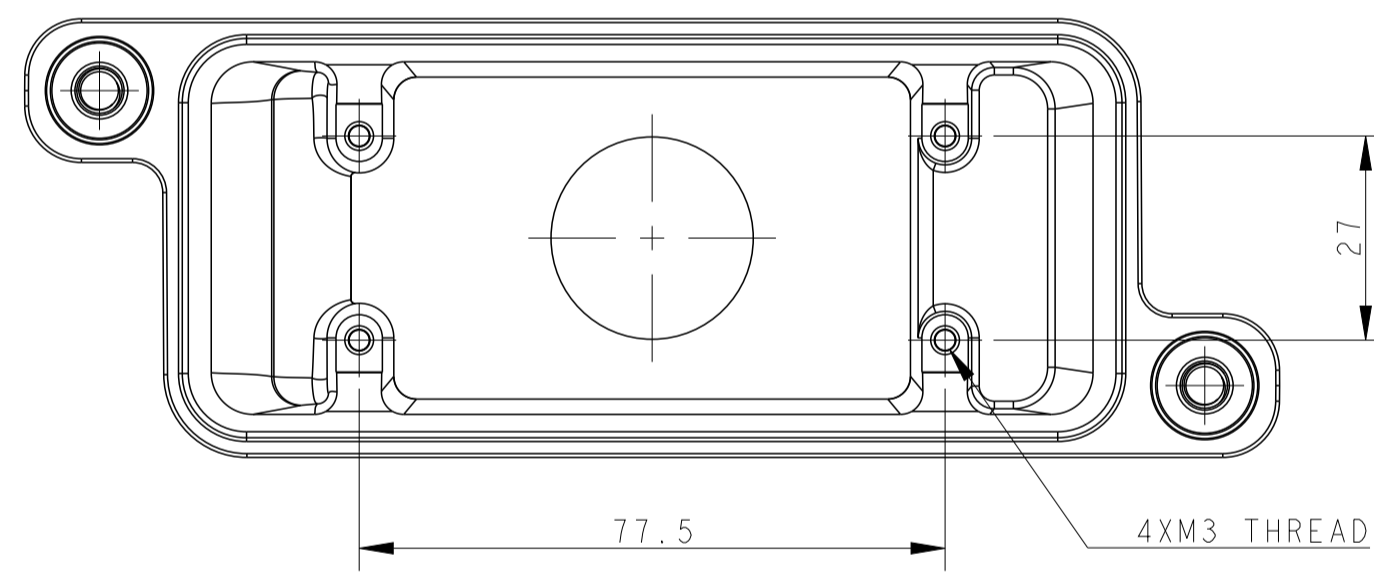
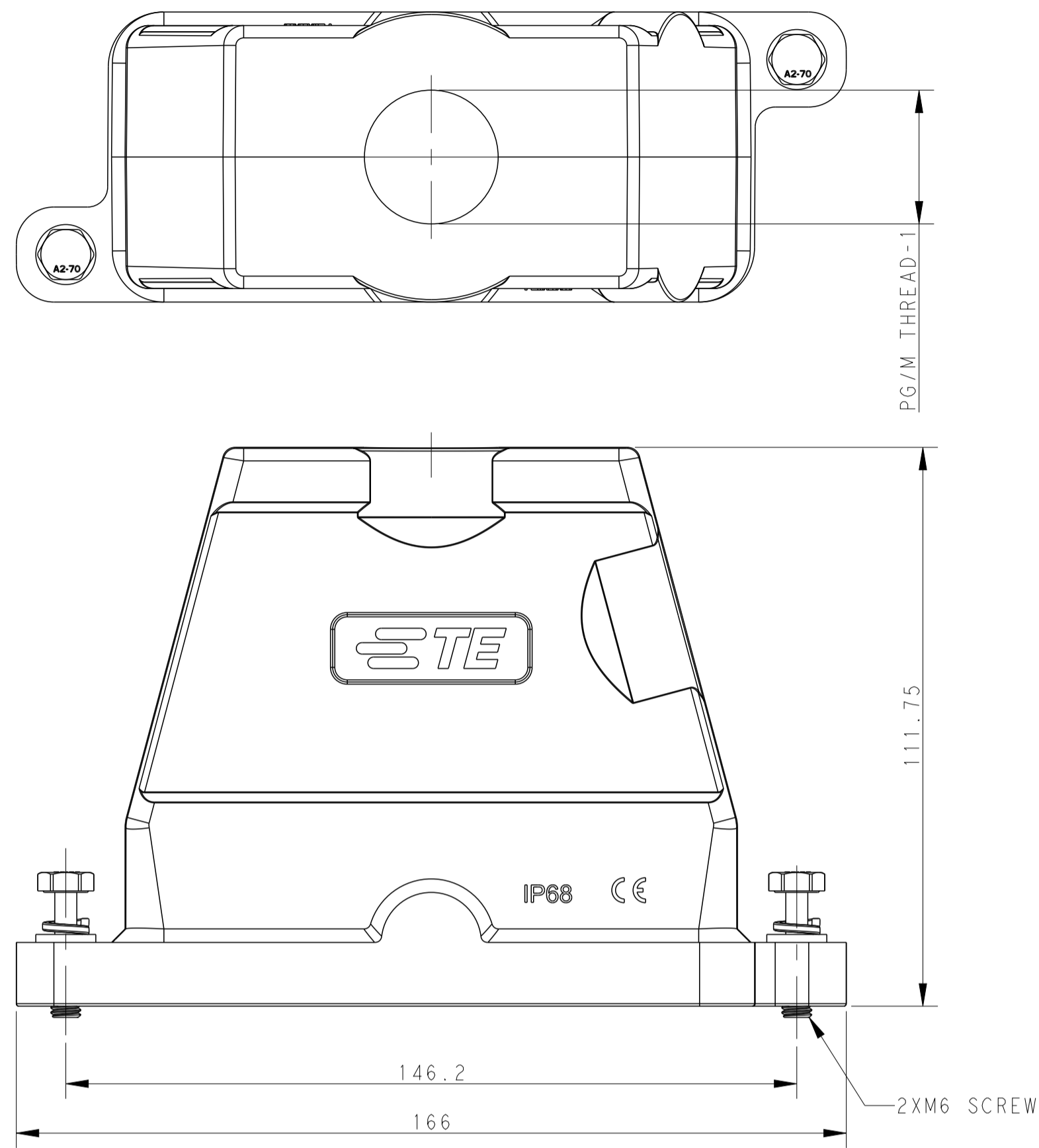


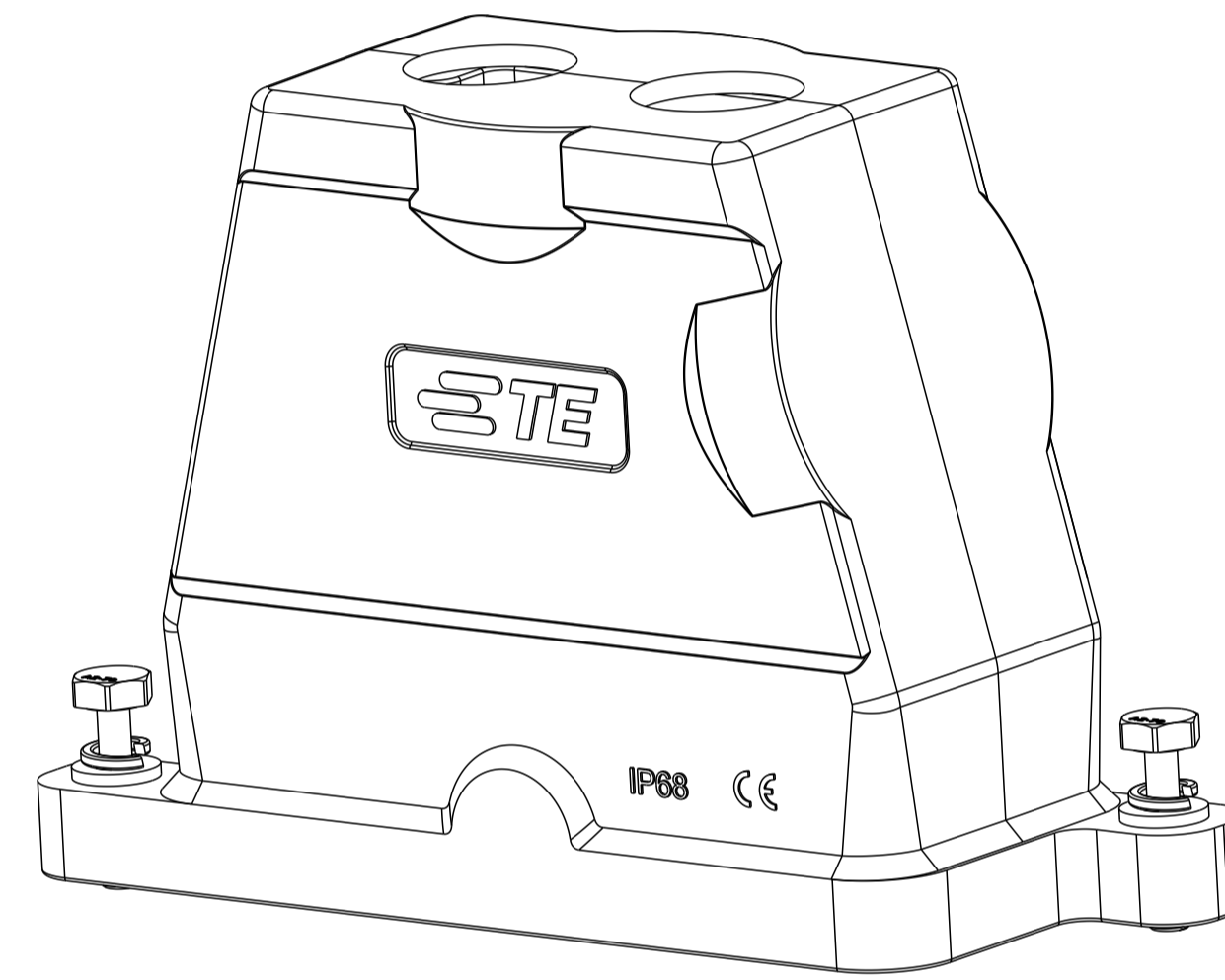
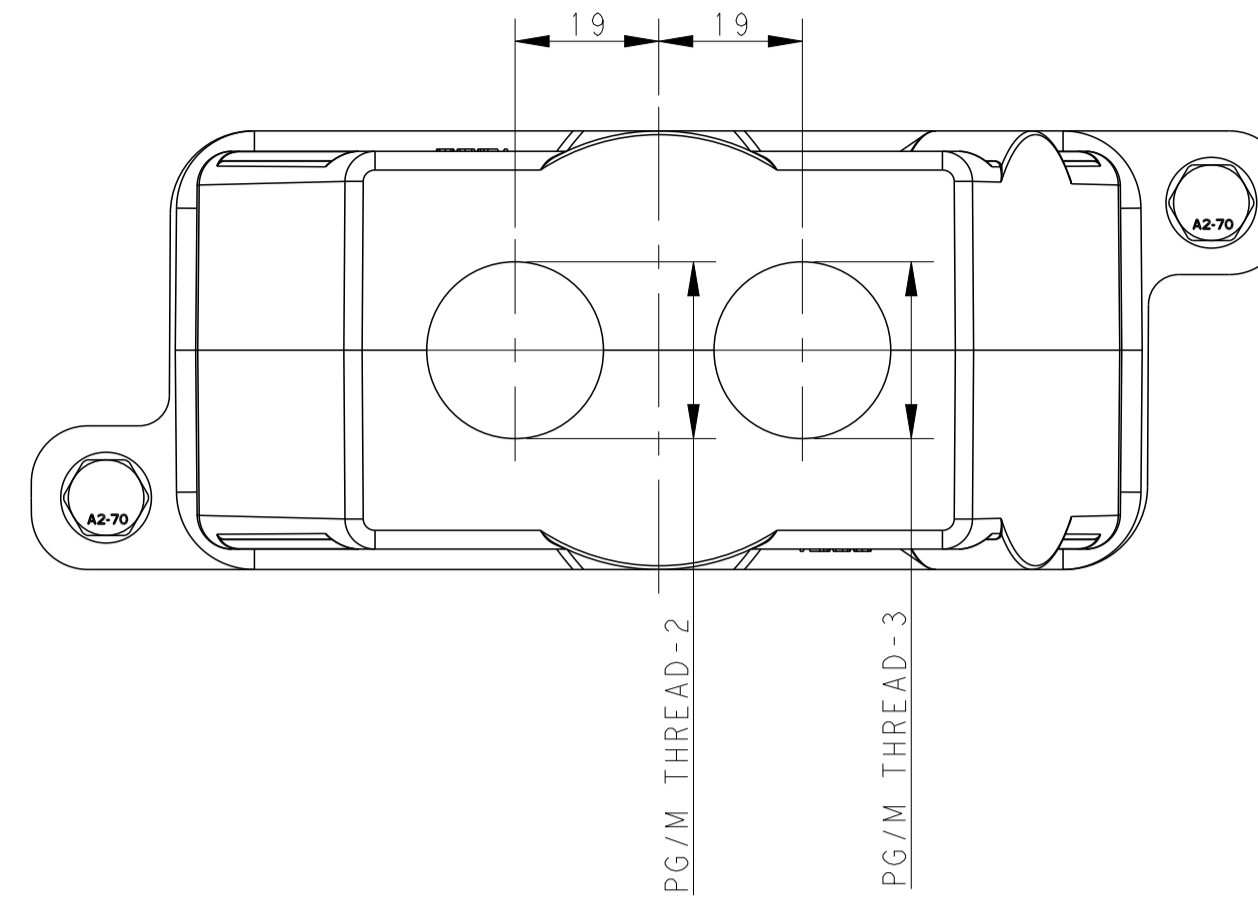
TYPE 1  
类型 1

Single PG/M thread: 单个PG/M螺纹孔



TYPE 2  
类型 2

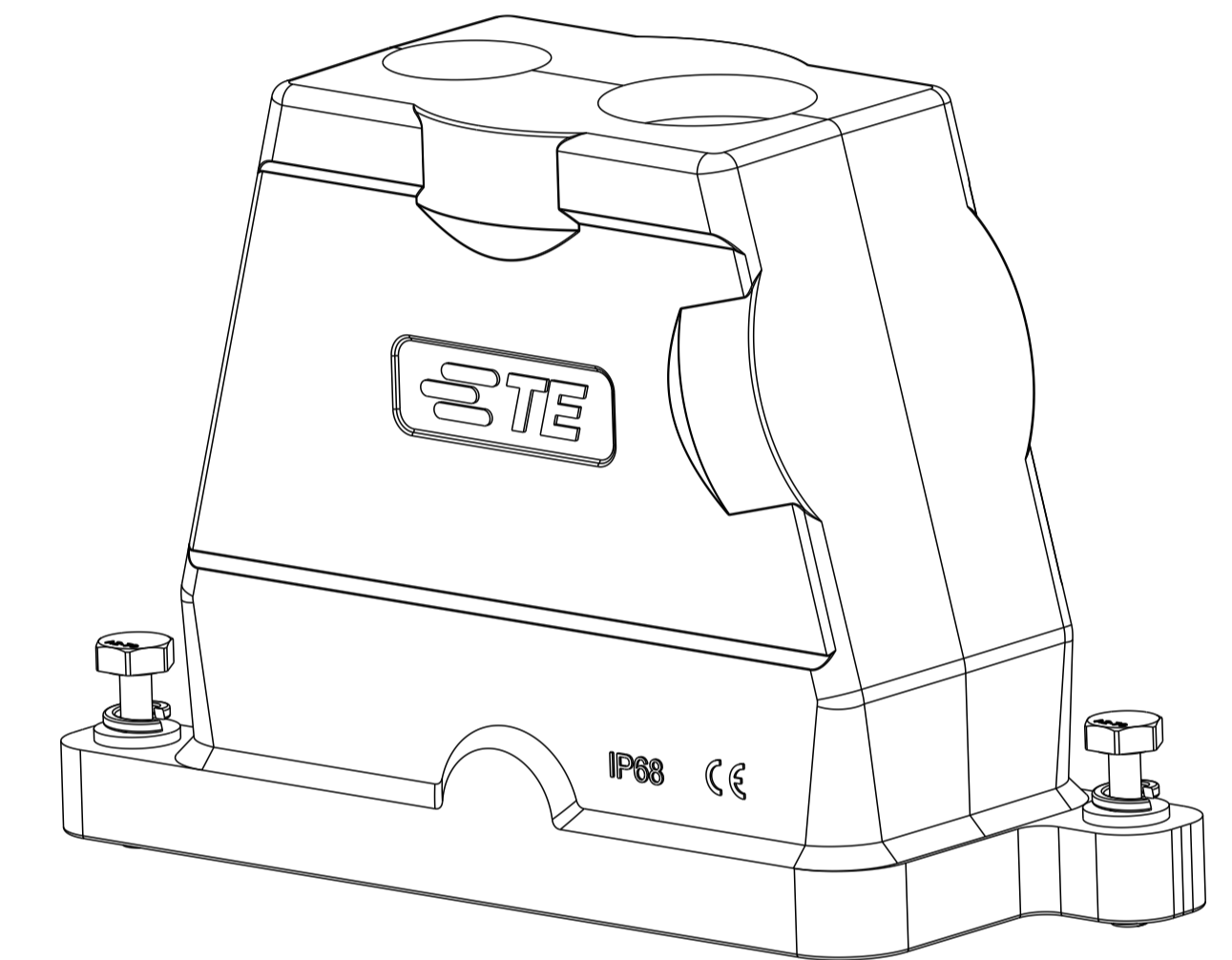
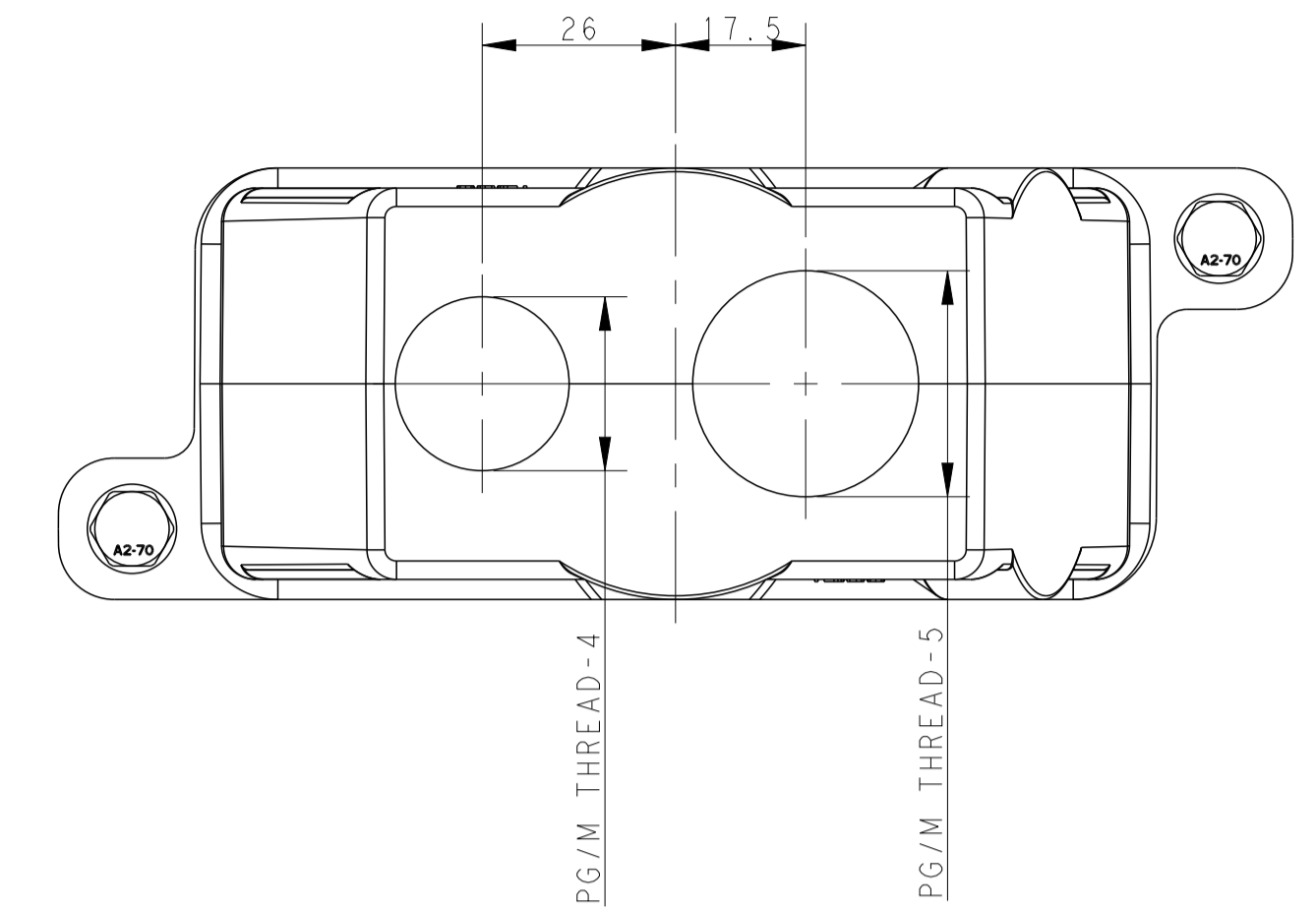
Two PG/M threads: 两个PG/M螺纹孔



All dimension is same as TYPE 1, except those defined in this TYPE  
除了在本类型中定义的尺寸外, 其他尺寸同类型 1

TYPE 3  
类型 3

Two PG/M threads: 两个PG/M螺纹孔

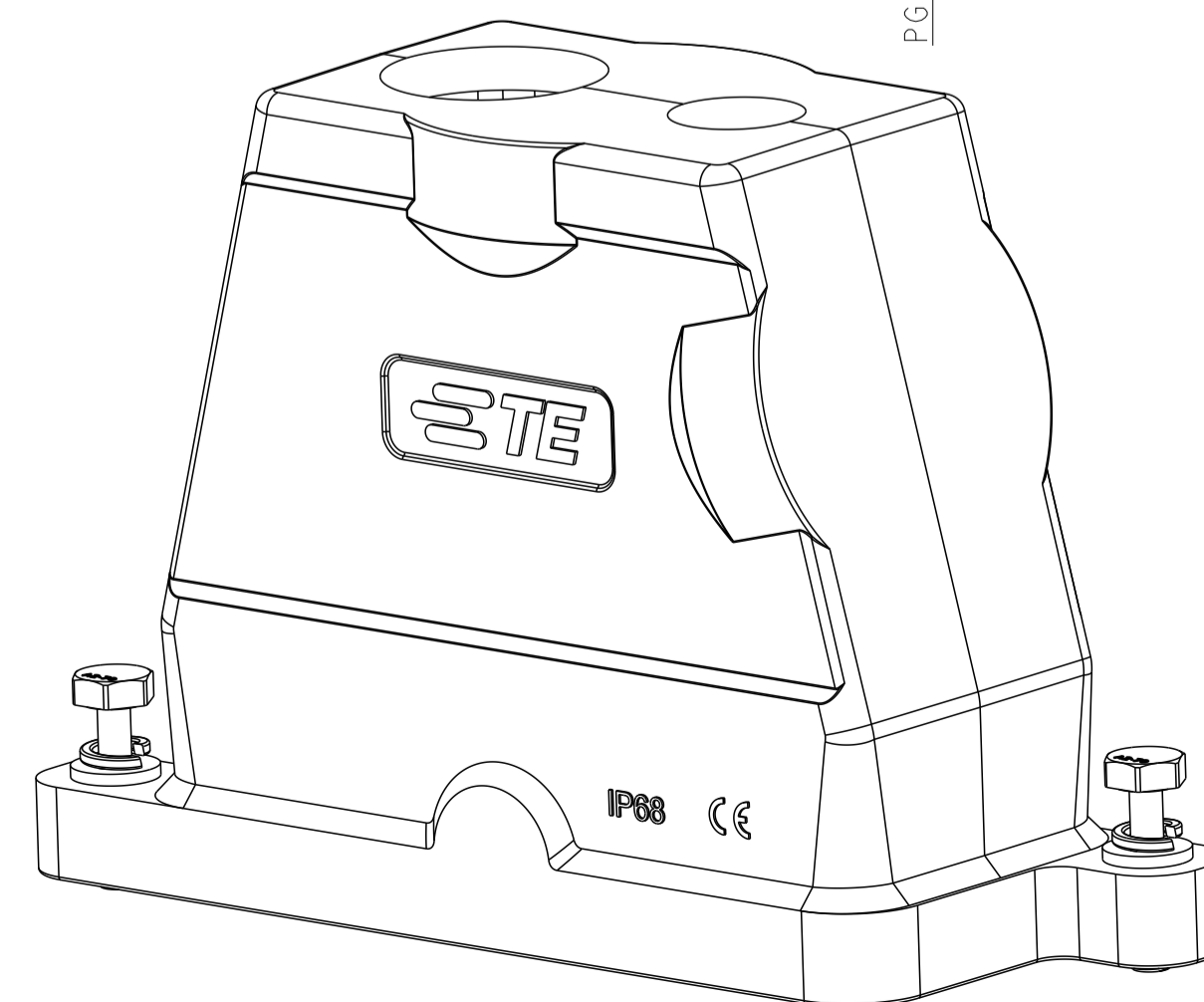
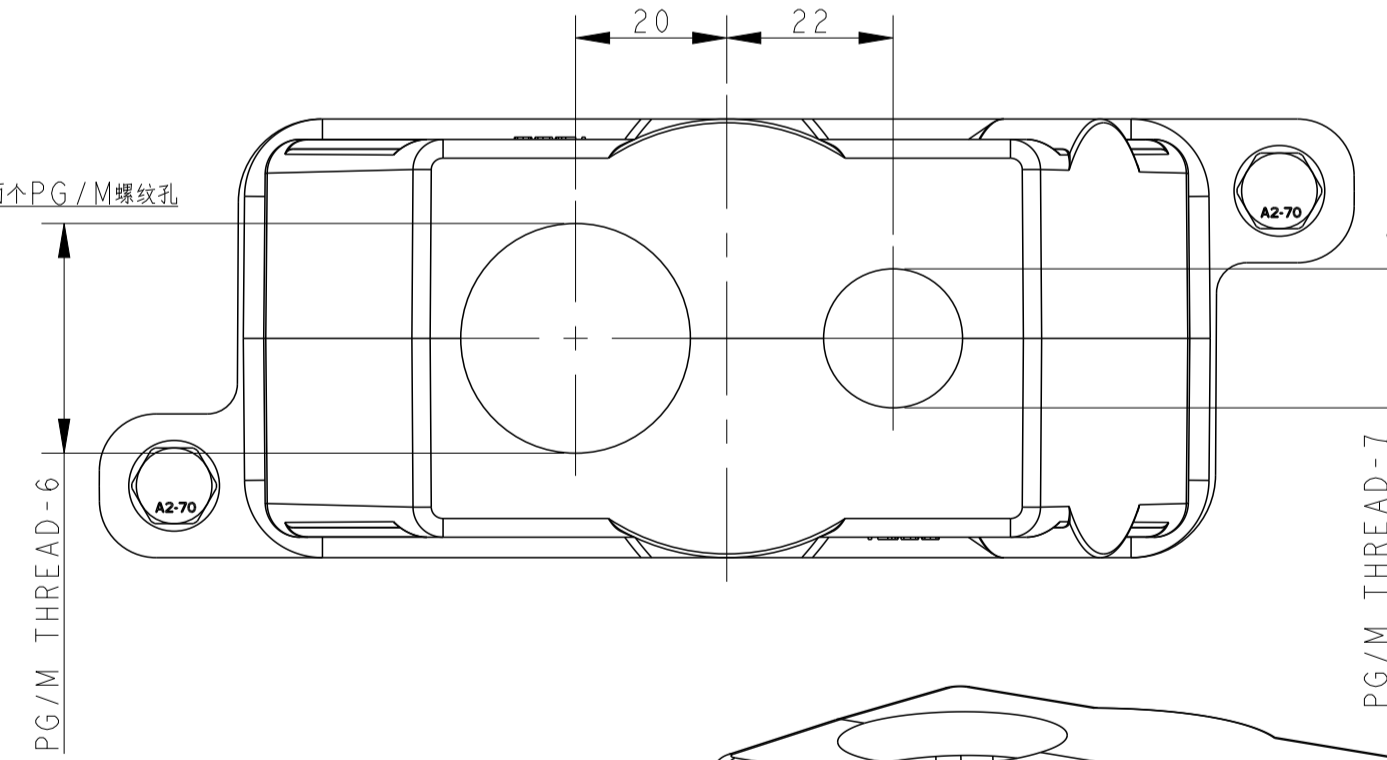


All dimension is same as TYPE 1, except those defined in this TYPE  
除了在本类型中定义的尺寸外, 其他尺寸同类型 1

REVISIONS				
P	LTN	DESCRIPTION	DATE	DWN APVD
A2	ECR-18-013704		30AUG2018	RG CW
A3	ECR-18-017123		21DEC2018	KW CW
B	ECR-20-012892		12MAY2021	BS CW
B1	ECR-22-129466		15FEB2022	BS CW

TYPE 4  
类型 4

Two PG/M threads: 两个PG/M螺纹孔



All dimension is same as TYPE 1, except those defined in this TYPE  
除了在本类型中定义的尺寸外, 其他尺寸同类型 1

NOTES:  
1. TECHNICAL CHARACTERISTICS:  
HOOD MATERIAL: DIE CAST ALUMINIUM ALLOY  
SURFACE TREATMENT: SEE TABLE  
DEGREE OF PROTECTION: IP68 (MATED)


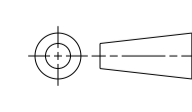
注释  
1. 技术参数:  
壳体材料: 铝合金  
表面处理: 见表格  
防护等级: IP68 (配合)

THIS DRAWING IS A CONTROLLED DOCUMENT.		DWN: Gino_Yao 11JUN2015	<b>STE</b> TE Connectivity	
DIMENSIONS:		CHK: Chris_Yao 11JUN2015		
mm	TOLERANCES UNLESS OTHERWISE SPECIFIED:	APVD: Xiang_Yu 11JUN2015	NAME: H16BPR-TGH-PG/M	
0 PLC	±	PRODUCT SPEC	SIZE: CAGE CODE: DRAWING NO: RESTRICTED TO	
1 PLC	±	108-137014	A1 - C-T192016XXXXX00	
2 PLC	±	APPLICATION SPEC	SCALE: 1:1 SHEET 1 OF 2 REV: B1	
3 PLC	±	114-137014		
4 PLC	±	WEIGHT: -		
ANGLES	±	Customer Drawing		
MATERIAL:	FINISH:			

REVISIONS				
P	LTN	DESCRIPTION	DATE	APPV
-	-	SEE SHEET 1	-	-

NOTES:  
SEE SHEET 1  
备注:  
见表格 1

PART NUMBER	PART DESCRIPTION	PG/M THREAD-7	PG/M THREAD-6	PG/M THREAD-5	PG/M THREAD-4	PG/M THREAD-3	PG/M THREAD-2	PG/M THREAD-1	TYPE
T1920163220-000	H16BPR-TGH-M32/M20 H16BPR HOOD, DIAGONAL LOCKING, TOP ENTRY M32-M20, POWDER COATED, BLACK H16BPR上壳, 对角锁定, 顶出M32-M20, 黑色粉末喷涂	M20	M32	-	-	-	-	-	TYPE 4 类型4
T1920163225-000	H16BPR-TGH-M32/M25 H16BPR HOOD, DIAGONAL LOCKING, TOP ENTRY M32-M25, POWDER COATED, GREY H16BPR上壳, 对角锁定, 顶出M32-M25, 灰色粉末喷涂	-	-	M32	M25	-	-	-	TYPE 3 类型3
T1920162520-000	H16BPR-TGH-M25/M20 H16BPR HOOD, DIAGONAL LOCKING, TOP ENTRY M25-M20, POWDER COATED, BLACK H16BPR上壳, 对角锁定, 顶出M25-M20, 黑色粉末喷涂	-	-	-	-	M20	M25	-	TYPE 2 类型2
T1920162516-000	H16BPR-TGH-M25/M16 H16BPR HOOD, DIAGONAL LOCKING, TOP ENTRY M25-M16, POWDER COATED, BLACK H16BPR上壳, 对角锁定, 顶出M25-M16, 黑色粉末喷涂	-	-	-	-	M16	M25	-	
T1920161225-000	H16BPR-TGH-2M25 H16BPR HOOD, DIAGONAL LOCKING, TOP ENTRY 2M25, POWDER COATED, SILVER WHITE H16BPR上壳, 对角锁定, 顶出2M25, 银白色粉末喷涂	-	-	-	-	M25	M25	-	TYPE 1 类型1
T1920160225-000	H16BPR-TGH-2M25 H16BPR HOOD, DIAGONAL LOCKING, TOP ENTRY 2M25, POWDER COATED, BLACK H16BPR上壳, 对角锁定, 顶出2M25, 黑色粉末喷涂	-	-	-	-	M25	M25	-	
T1920160221-000	H16BPR-TGH-2PG21 H16BPR HOOD, DIAGONAL LOCKING, TOP ENTRY 2PG21, POWDER COATED, BLACK H16BPR上壳, 对角锁定, 顶出2PG21, 黑色粉末喷涂	-	-	-	-	PG21	PG21	-	TYPE 1 类型1
T1920161140-000	H16BPR-TGH-M40 H16BPR HOOD, DIAGONAL LOCKING, TOP ENTRY M40, POWDER COATED, SILVER WHITE H16BPR上壳, 对角锁定, 顶出M40, 银白色粉末喷涂	-	-	-	-	-	-	M40	
T1920161136-000	H16BPR-TGH-PG36 H16BPR HOOD, DIAGONAL LOCKING, TOP ENTRY PG36, POWDER COATED, SILVER WHITE H16BPR上壳, 对角锁定, 顶出PG36, 银白色粉末喷涂	-	-	-	-	-	-	PG36	
T1920161132-000	H16BPR-TGH-M32 H16BPR HOOD, DIAGONAL LOCKING, TOP ENTRY M32, POWDER COATED, SILVER WHITE H16BPR上壳, 对角锁定, 顶出M32, 银白色粉末喷涂	-	-	-	-	-	-	M32	
T1920161129-000	H16BPR-TGH-PG29 H16BPR HOOD, DIAGONAL LOCKING, TOP ENTRY PG29, POWDER COATED, SILVER WHITE H16BPR上壳, 对角锁定, 顶出PG29, 银白色粉末喷涂	-	-	-	-	-	-	PG29	
T1920161125-000	H16BPR-TGH-M25 H16BPR HOOD, DIAGONAL LOCKING, TOP ENTRY M25, POWDER COATED, SILVER WHITE H16BPR上壳, 对角锁定, 顶出M25, 银白色粉末喷涂	-	-	-	-	-	-	M25	
T1920161121-000	H16BPR-TGH-PG21 H16BPR HOOD, DIAGONAL LOCKING, TOP ENTRY PG21, POWDER COATED, SILVER WHITE H16BPR上壳, 对角锁定, 顶出PG21, 银白色粉末喷涂	-	-	-	-	-	-	PG21	
T1920160140-000	H16BPR-TGH-M40 H16BPR HOOD, DIAGONAL LOCKING, TOP ENTRY M40, POWDER COATED, BLACK H16BPR上壳, 对角锁定, 顶出M40, 黑色粉末喷涂	-	-	-	-	-	-	M40	
T1920160136-000	H16BPR-TGH-PG36 H16BPR HOOD, DIAGONAL LOCKING, TOP ENTRY PG36, POWDER COATED, BLACK H16BPR上壳, 对角锁定, 顶出PG36, 黑色粉末喷涂	-	-	-	-	-	-	PG36	
T1920160132-000	H16BPR-TGH-M32 H16BPR HOOD, DIAGONAL LOCKING, TOP ENTRY M32, POWDER COATED, BLACK H16BPR上壳, 对角锁定, 顶出M32, 黑色粉末喷涂	-	-	-	-	-	-	M32	
T1920160129-000	H16BPR-TGH-PG29 H16BPR HOOD, DIAGONAL LOCKING, TOP ENTRY PG29, POWDER COATED, BLACK H16BPR上壳, 对角锁定, 顶出PG29, 黑色粉末喷涂	-	-	-	-	-	-	PG29	
T1920160125-000	H16BPR-TGH-M25 H16BPR HOOD, DIAGONAL LOCKING, TOP ENTRY M25, POWDER COATED, BLACK H16BPR上壳, 对角锁定, 顶出M25, 黑色粉末喷涂	-	-	-	-	-	-	M25	
T1920160121-000	H16BPR-TGH-PG21 H16BPR HOOD, DIAGONAL LOCKING, TOP ENTRY PG21, POWDER COATED, BLACK H16BPR上壳, 对角锁定, 顶出PG21, 黑色粉末喷涂	-	-	-	-	-	-	PG21	

THIS DRAWING IS A CONTROLLED DOCUMENT.		DWN Gino Yoo 11JUN2015	
DIMENSIONS: mm		CHK Chris Yoo 11JUN2015	
TOLERANCES UNLESS OTHERWISE SPECIFIED:		APVD Xiao Yu 11JUN2015	NAME H16BPR-TGH-PG/M
		PRODUCT SPEC 108-137014	SIZE A1
MATERIAL		APPLICATION SPEC 114-137014	CAGE CODE -
FINISH		WEIGHT -	DRAWING NO T192016XXXXX00
Customer Drawing		RESTRICTED TO -	SCALE 1:1
		SHEET 2	OF 2
		REV B1	