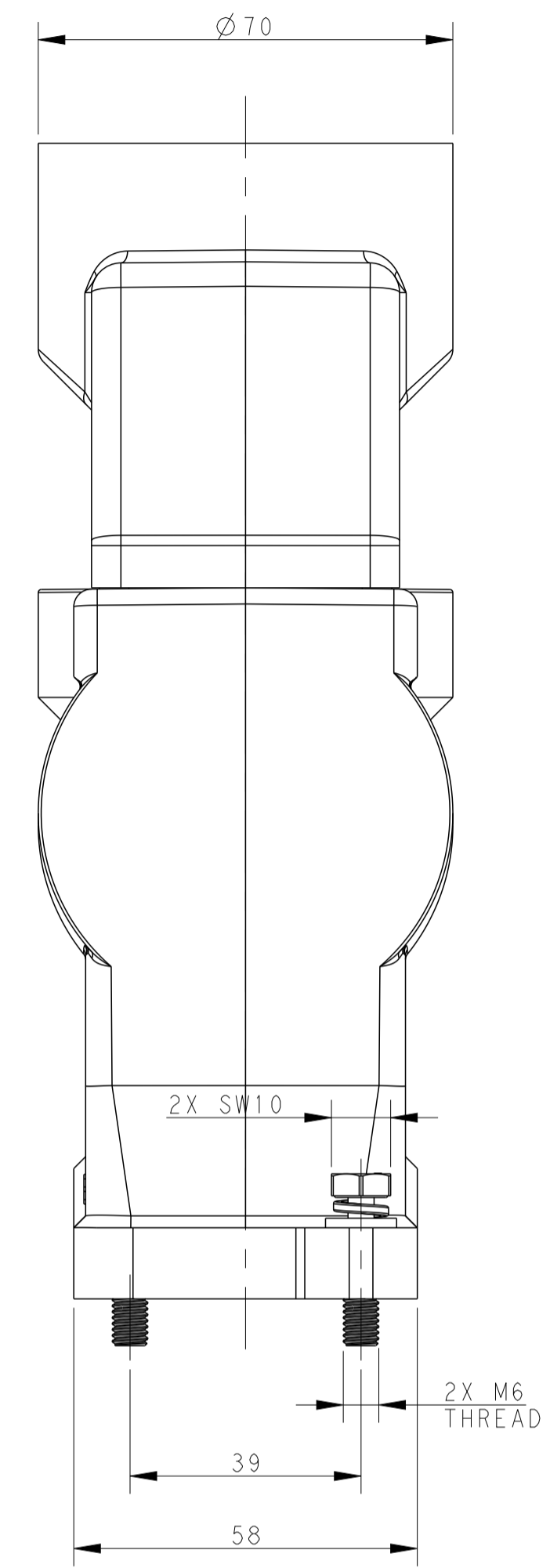
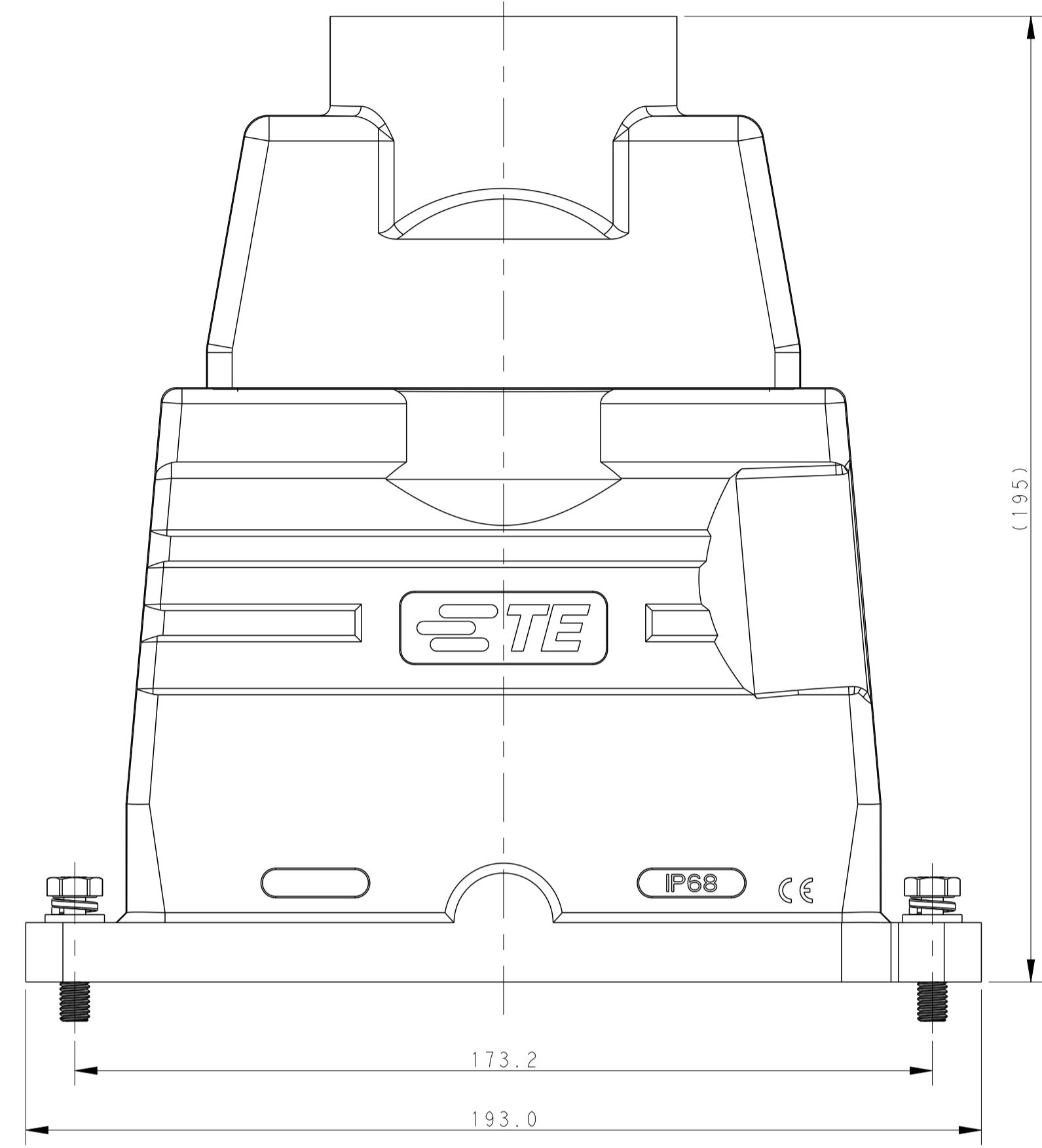
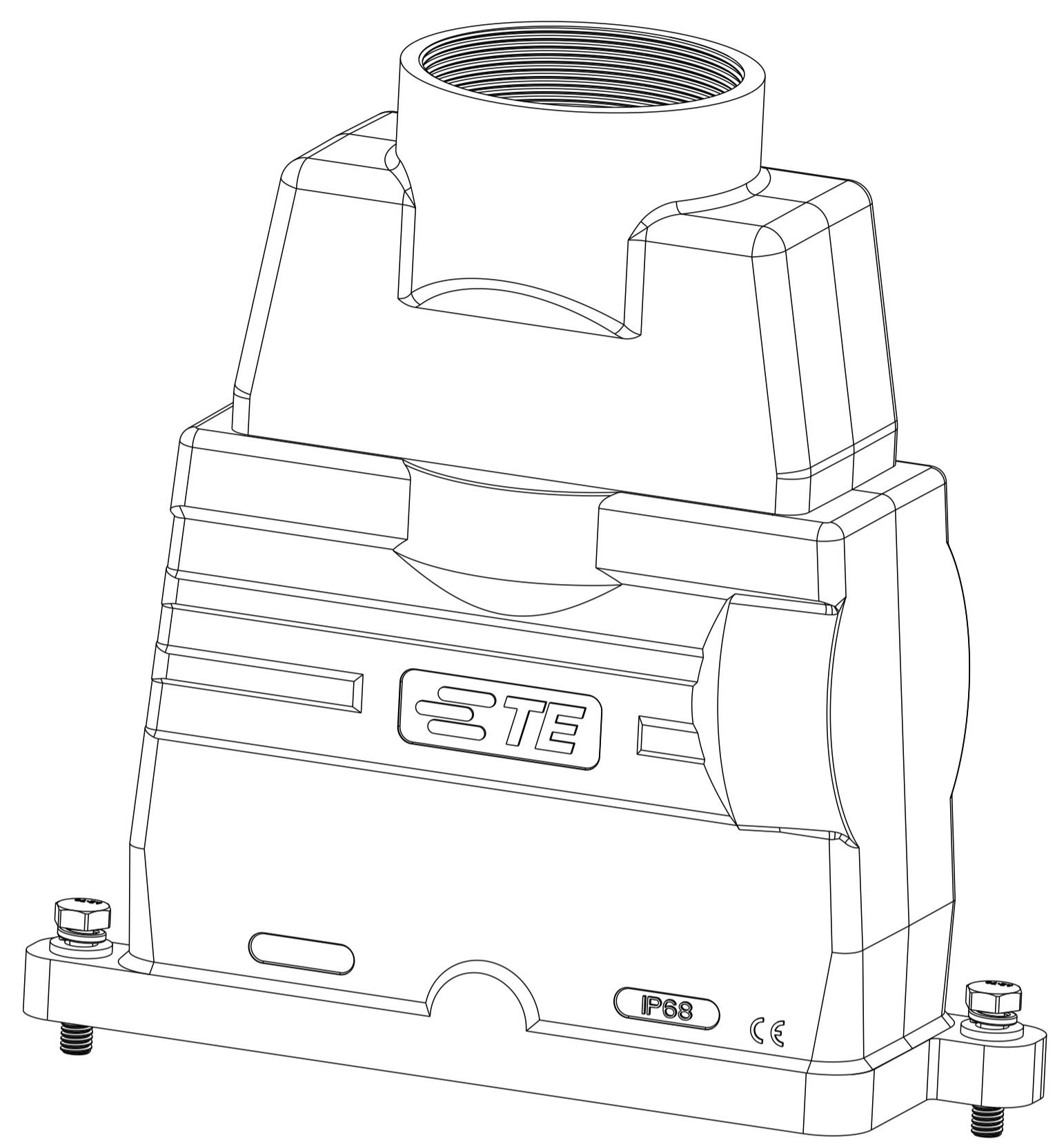
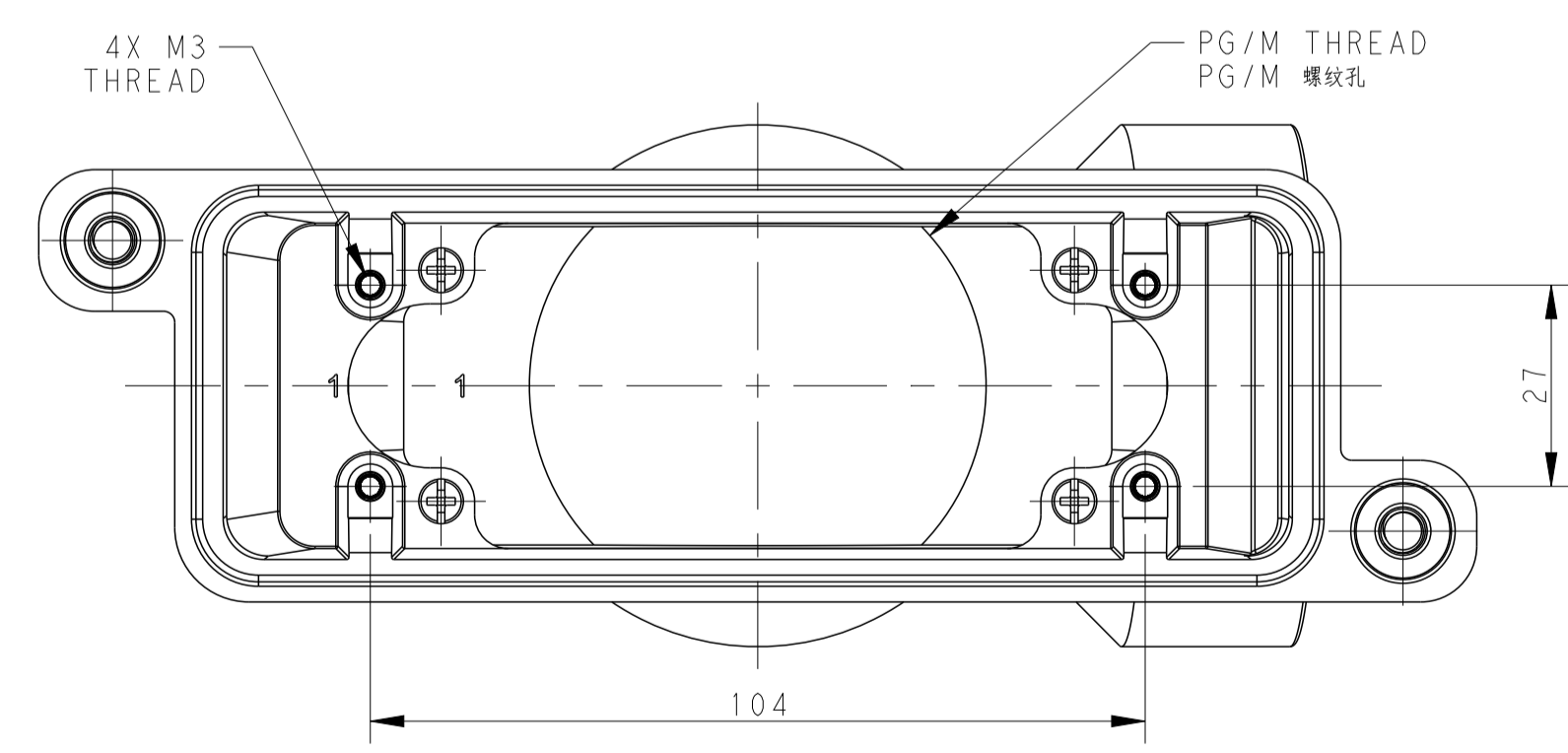


REVISIONS				
P	LTN	DESCRIPTION	DATE	APVD
A		INITIAL	12SEP2016	RL CW
B		ECR-20-014403	20MAY2021	BS CW
B1		ECR-23-166302	23FEB2023	AC CW



NOTES:  
 1. TECHNICAL CHARACTERISTICS:  
 HOOD MATERIAL: DIE CAST ALUMINIUM ALLOY  
 SURFACE TREATMENT: POWDER COATED, BLACK  
 DEGREE OF PROTECTION: IP68 (MATED)

注释:  
 1. 技术参数:  
 上壳材料: 铝合金  
 表面处理: 黑色粉末喷涂  
 防护等级: IP68 (配合)



T1920240150-001	H24BPR-TGXH-XL-M50	H24BPR HEIGHTEN HOOD, DIAGONAL LOCK, TOP ENTRY M50, POWDER COATED, BLACK H24BPR加高上壳, 对角锁定, 顶出M50, 黑色粉末喷涂	M50
T1920240163-001	H24BPR-TGXH-XL-M63	H24BPR HEIGHTEN HOOD, DIAGONAL LOCK, TOP ENTRY M63, POWDER COATED, BLACK H24BPR加高上壳, 对角锁定, 顶出M63, 黑色粉末喷涂	M63
PART NUMBER 料号	PART DESCRIPTION 描述		PG/M THREAD PG/M 螺纹孔

THIS DRAWING IS A CONTROLLED DOCUMENT.		OWN ROY LIU 12SEP2016	TE Connectivity
DIMENSIONS:		CHK KYLE ZENG 12SEP2016	
mm	0 PLC ±	APVD CHRIS WANG 12SEP2016	NAME H24BPR-TGXH-XL-MXX
	1 PLC ±	PRODUCT SPEC	SIZE CAGE CODE DRAWING NO A1 - C-T19202401XX001
	2 PLC ±	108-137014	
	3 PLC ±	APPLICATION SPEC	
	4 PLC ±	114-137014	
MATERIAL	ANGLES	WEIGHT	RESTRICTED TO
	FINISH	CUSTOMER DRAWING	SCALE 1:1 SHEET 1 OF 1 REV B1