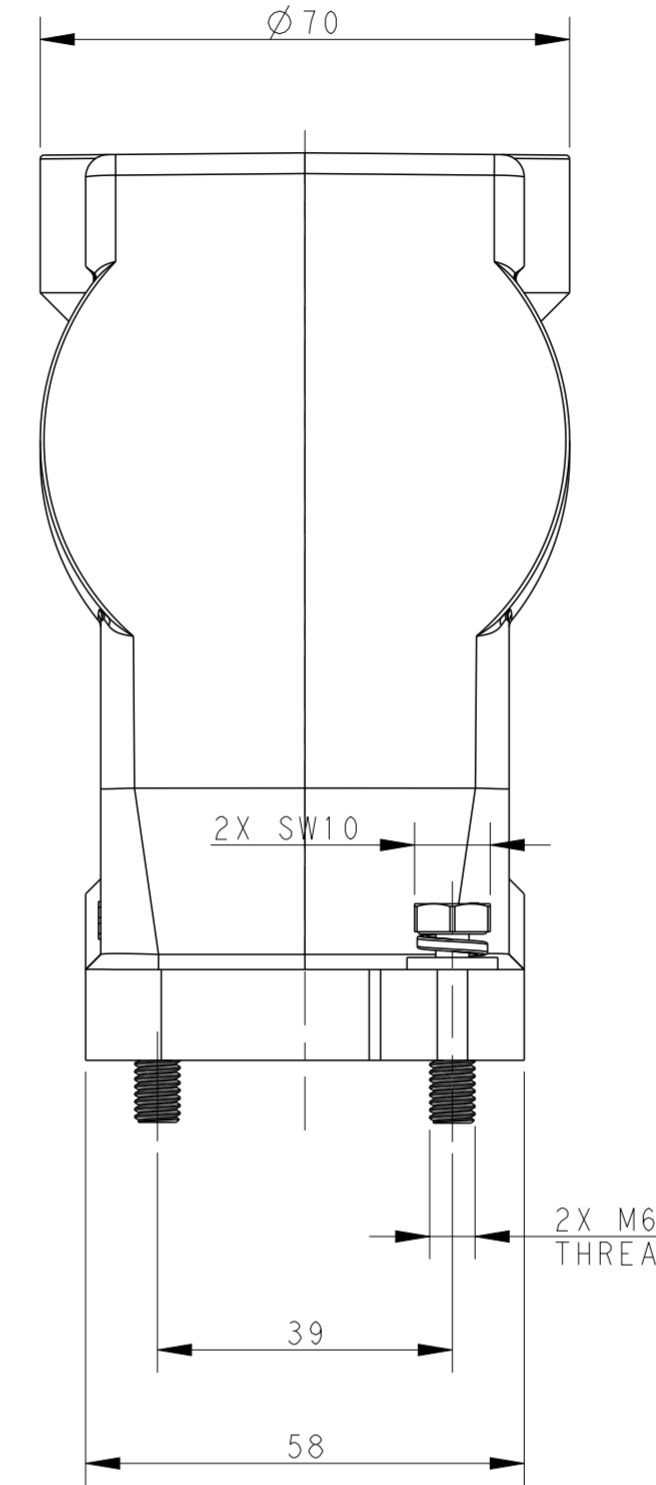
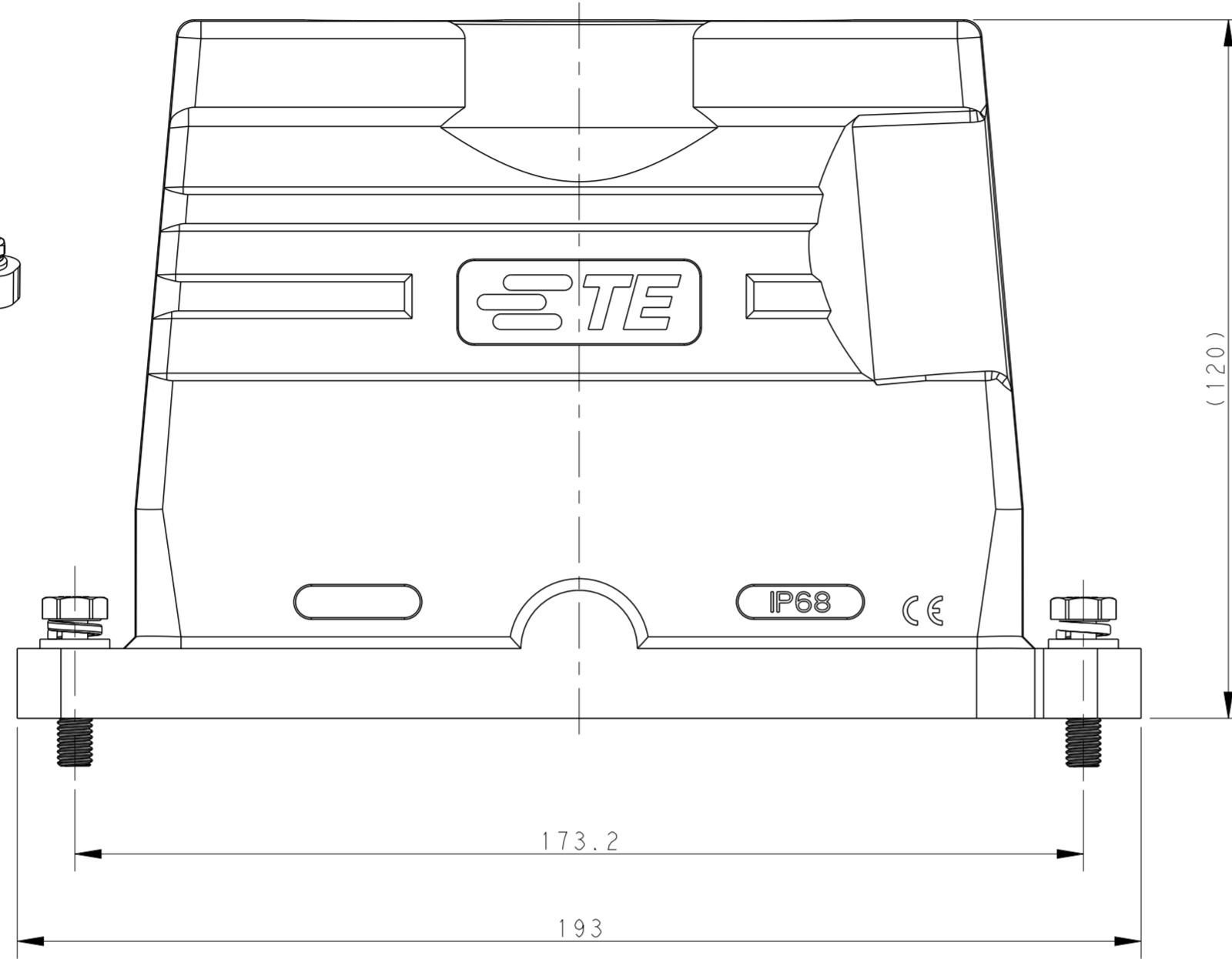
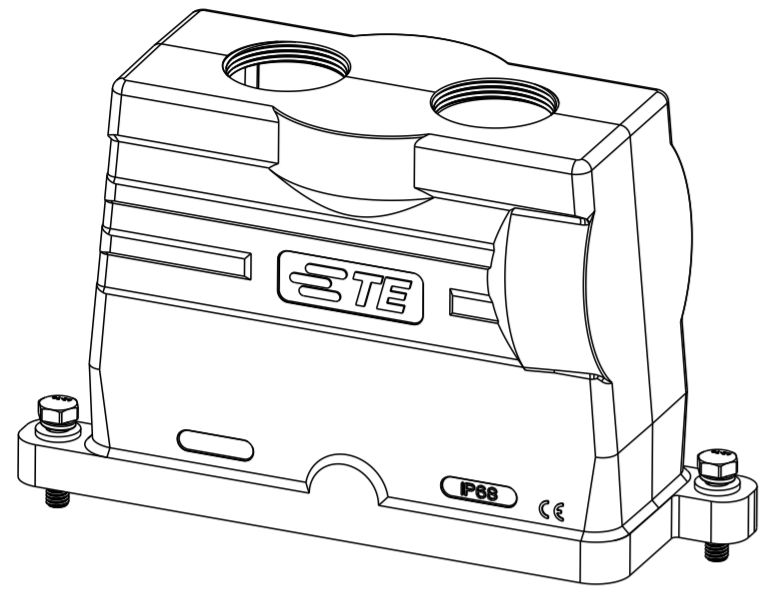


THIS DRAWING IS UNPUBLISHED. RELEASED FOR PUBLICATION 20  
 © COPYRIGHT 20 BY - ALL RIGHTS RESERVED.

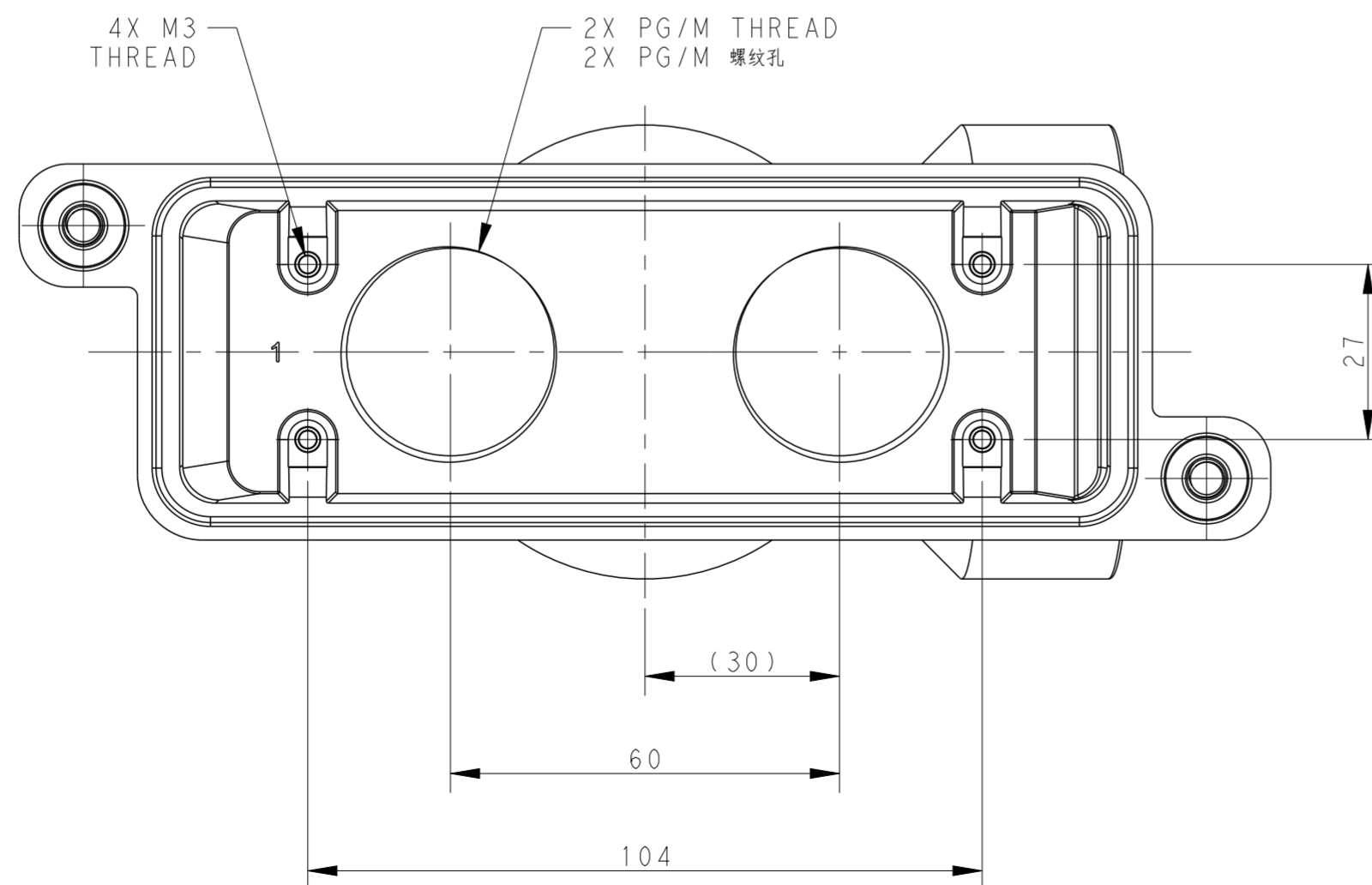
REVISIONS					
P	LTR	DESCRIPTION	DATE	DWN	APVD
A		INITIAL	10FEB2017	RL	CW
B		ECR-20-014403	20MAY2021	BS	CW
B1		ECR-23-166302	23FEB2023	AC	CW

TYPE 1: TWO TOP ENTRY  
 类型 1: 顶部两个出线孔



NOTES:  
 1. TECHNICAL CHARACTERISTICS:  
 HOOD MATERIAL: ALUMINIUM ALLOY  
 SURFACE: POWDER COATED, BLACK  
 DEGREE OF PROTECTION: IP68 (MATED)

注释:  
 1. 技术参数:  
 上壳材料: 铝合金  
 表面处理: 黑色粉末喷涂  
 防护等级: IP68 (配合)



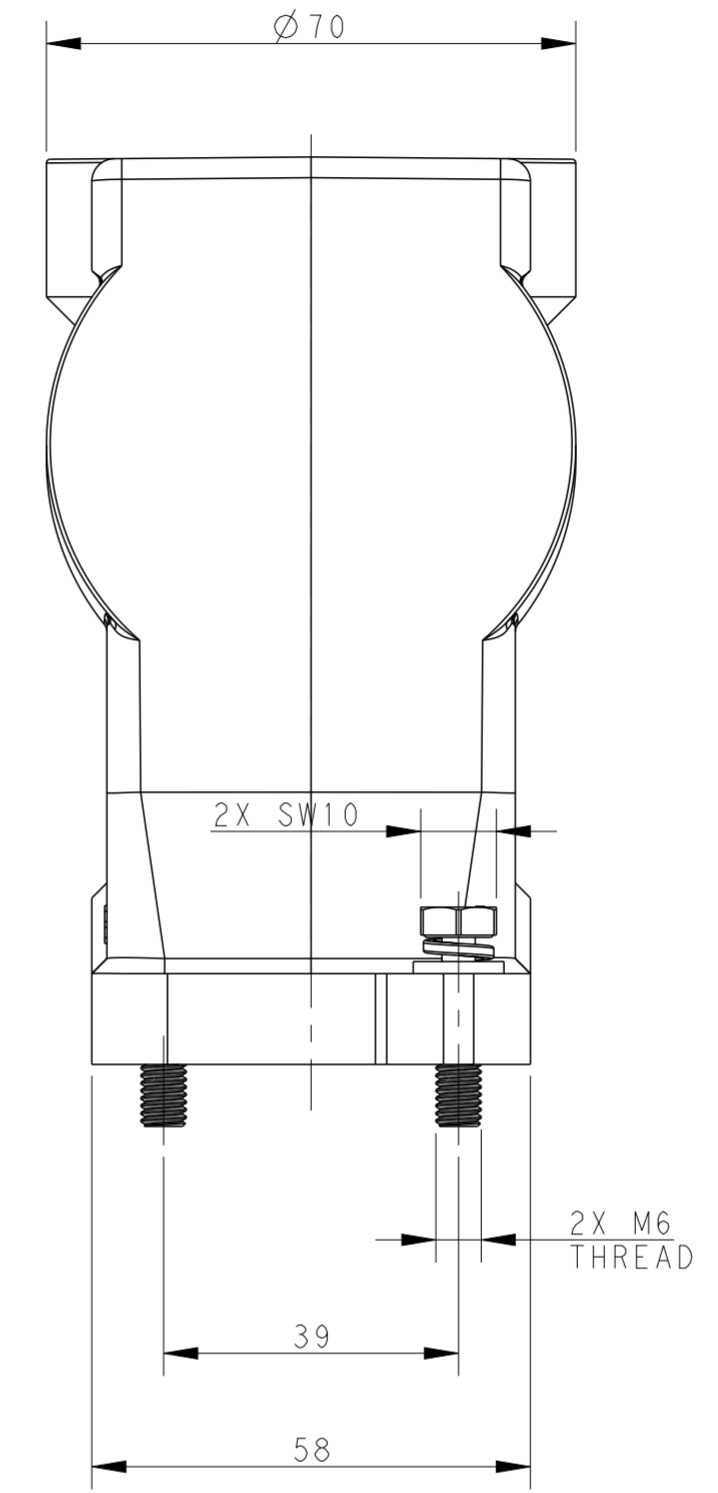
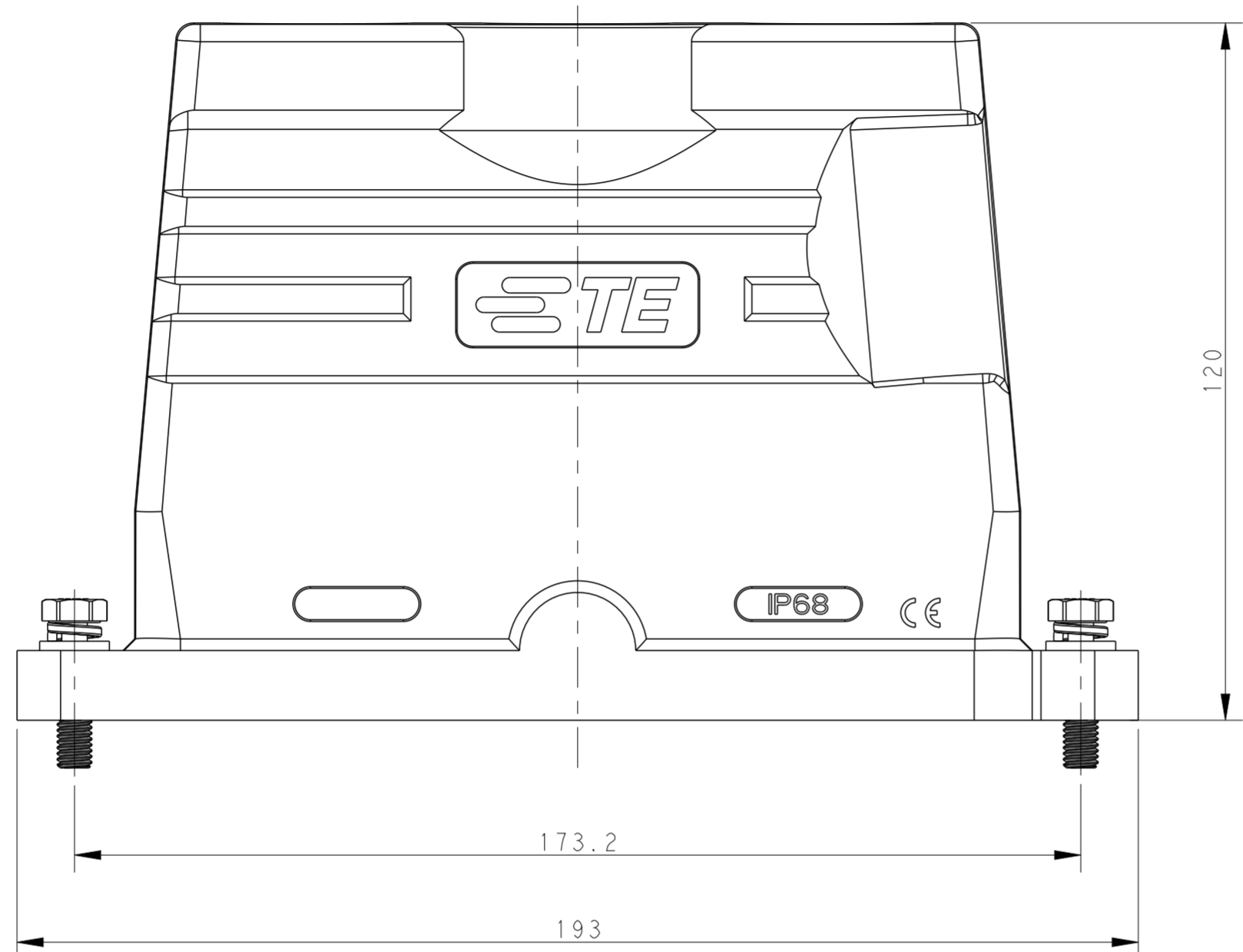
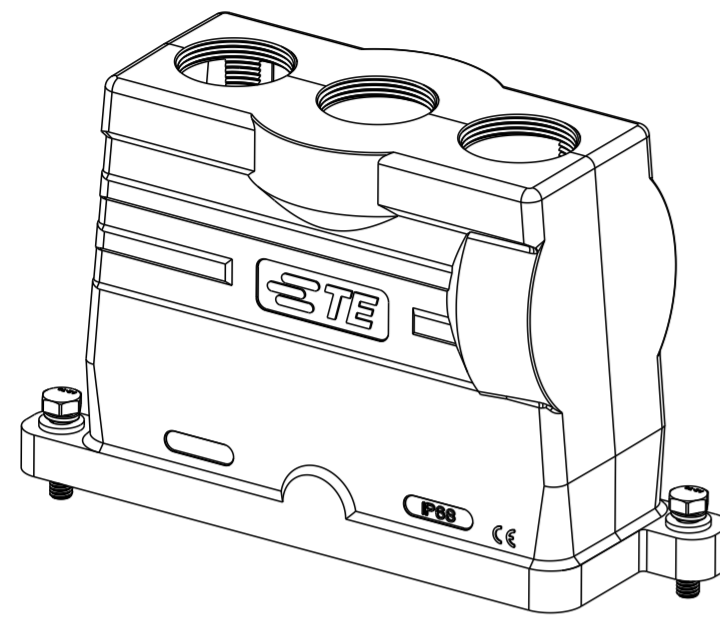
T1920240225-002	H24BPR-TGH-XL-2M25	H24BPR HEIGHTEN HOOD, DIAGONAL LOCKING, TOP ENTRY 2M25, POWDER COATED, BLACK H24BPR 加高上壳, 对角锁定, 顶出 2M25, 黑色粉末喷涂	M25
T1920240232-002	H24BPR-TGH-XL-2M32	H24BPR HEIGHTEN HOOD, DIAGONAL LOCKING, TOP ENTRY 2M32, POWDER COATED, BLACK H24BPR 加高上壳, 对角锁定, 顶出 2M32, 黑色粉末喷涂	M32
T1920240240-002	H24BPR-TGH-XL-2M40	H24BPR HEIGHTEN HOOD, DIAGONAL LOCKING, TOP ENTRY 2M40, POWDER COATED, BLACK H24BPR 加高上壳, 对角锁定, 顶出 2M40, 黑色粉末喷涂	M40
PART NUMBER 料号	PART DESCRIPTION 描述		2X PG/M THREAD 2X PG/M 螺纹孔

THIS DRAWING IS A CONTROLLED DOCUMENT.		DWN ROY LIU 10FEB2017	TE Connectivity		
DIMENSIONS: mm		CHK KYLE ZENG 10FEB2017			NAME H24BPR-TGH-XL-XXXX
TOLERANCES UNLESS OTHERWISE SPECIFIED:		APVD CHIRS WANG 10FEB2017			SIZE A2
0 PLC ± 1 PLC ± 2 PLC ± 3 PLC ± 4 PLC ± ANGLES ± FINISH -		PRODUCT SPEC 108-137014			CAGE CODE -
MATERIAL		APPLICATION SPEC 114-137014	DRAWING NO G-T1920240XXX002	RESTRICTED TO	
		WEIGHT -	SCALE 1:1	SHEET 1 OF 3	
		CUSTOMER DRAWING	REV B1		

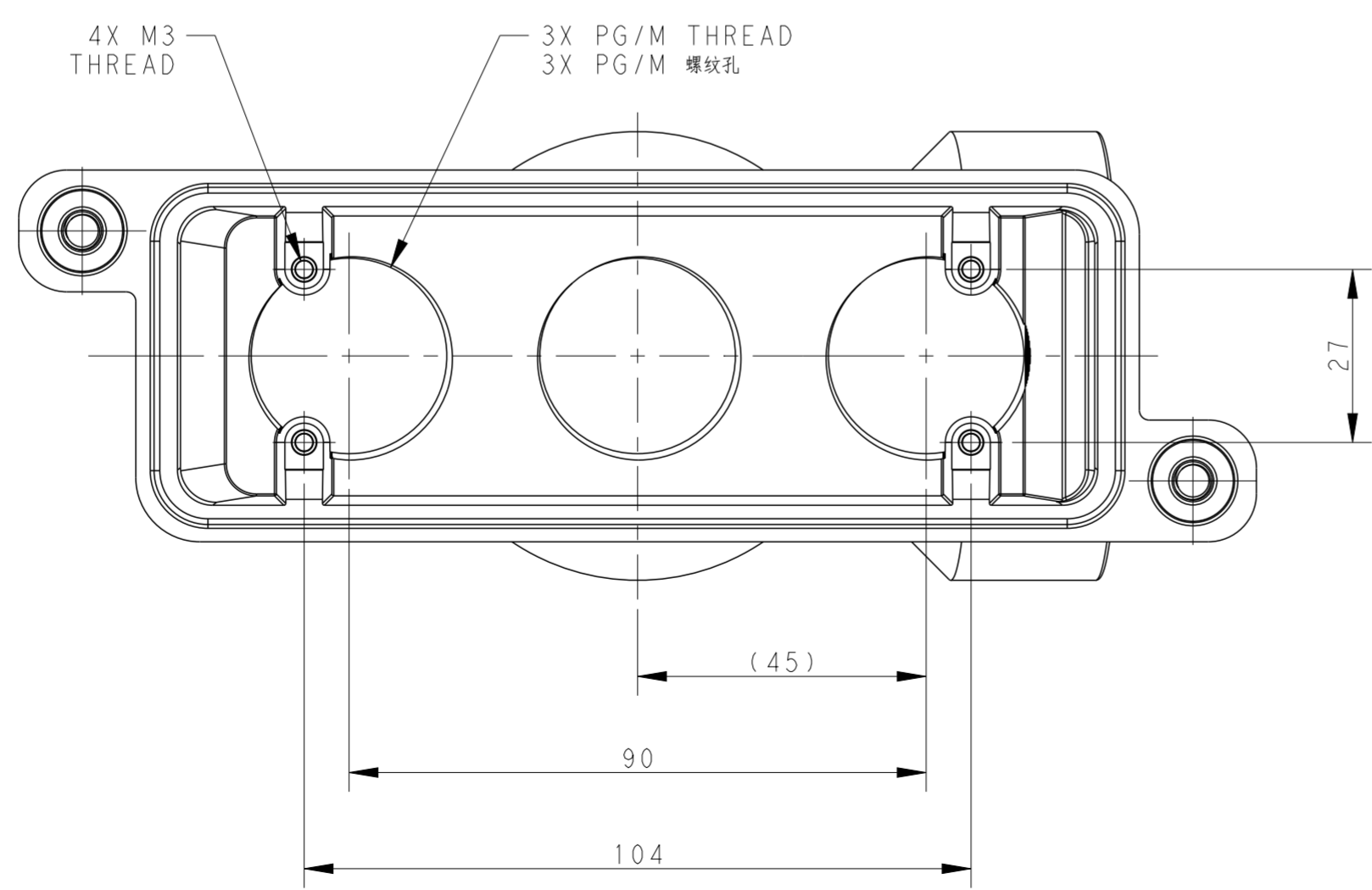
THIS DRAWING IS UNPUBLISHED. RELEASED FOR PUBLICATION 20  
 © COPYRIGHT 20 BY - ALL RIGHTS RESERVED.

REVISIONS				
P	LTR	DESCRIPTION	DATE	APVD
-	-	SEE SHEET 1	-	-

TYPE 2: THREE TOP ENTRY  
 类型2: 顶部三个出线孔



NOTE:  
 SEE SHEET 1



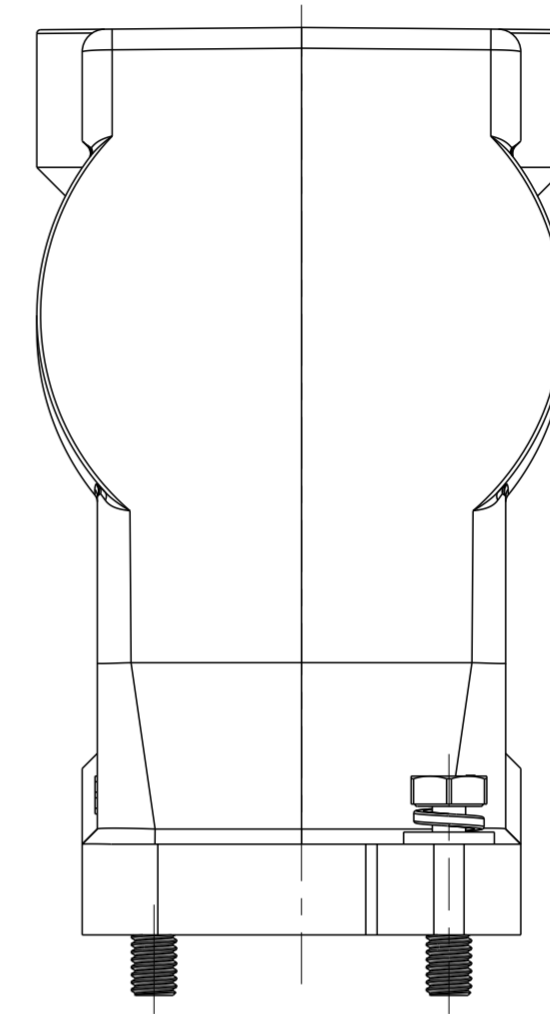
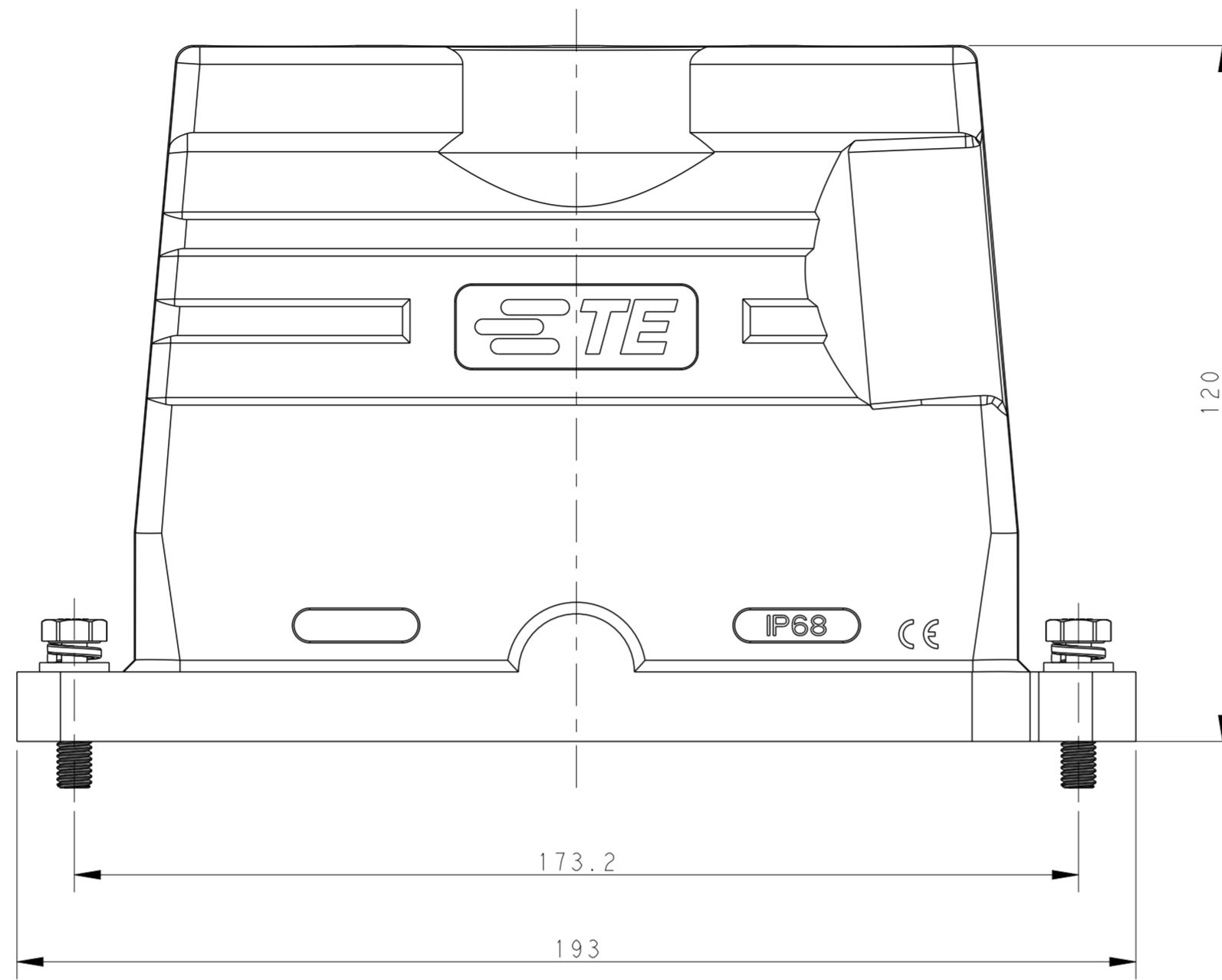
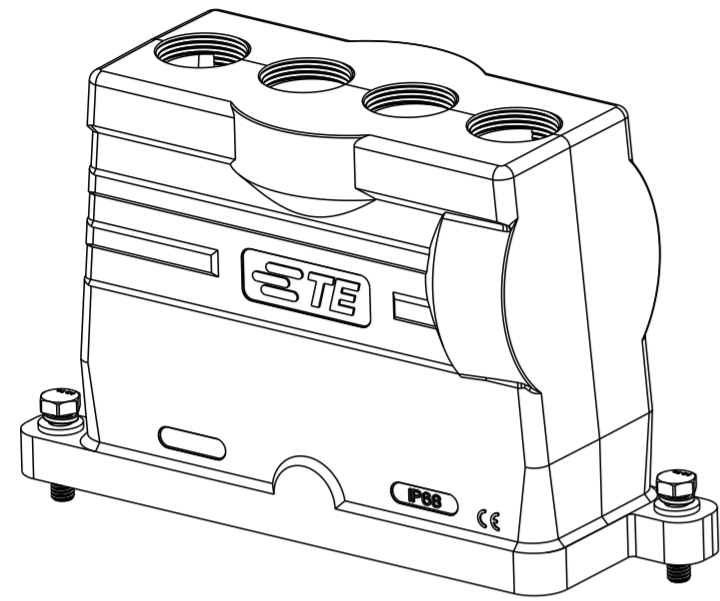
T1920240325-002	H24BPR-TGH-XL-3M25	H24BPR HEIGHTEN HOOD, DIAGONAL LOCKING, TOP ENTRY 3M25, POWDER COATED, BLACK H24BPR 加高上壳, 对角锁定, 顶出3M25, 黑色粉末喷涂	M25
T1920240332-002	H24BPR-TGH-XL-3M32	H24BPR HEIGHTEN HOOD, DIAGONAL LOCKING, TOP ENTRY 3M32, POWDER COATED, BLACK H24BPR 加高上壳, 对角锁定, 顶出3M32, 黑色粉末喷涂	M32
PART NUMBER 料号	PART DESCRIPTION 描述		3X PG/M THREAD 3X PG/M 螺纹孔

THIS DRAWING IS A CONTROLLED DOCUMENT.		DWN ROY LIU 10FEB2017	TE Connectivity	
		CHK KYLE ZENG 10FEB2017		
		APVD CHIRS WANG 10FEB2017	NAME H24BPR-TGH-XL-XMXX	
DIMENSIONS: mm		TOLERANCES UNLESS OTHERWISE SPECIFIED:	PRODUCT SPEC 108-137014	
		0 PLC ± 1 PLC ± 2 PLC ± 3 PLC ± 4 PLC ± ANGLES ± FINISH	APPLICATION SPEC 114-137014	
MATERIAL			WEIGHT	
			SCALE A2	
			DRAWING NO C-T1920240XXX002	
			RESTRICTED TO	
			SCALE 1:1 SHEET 2 OF 3 REV B1	

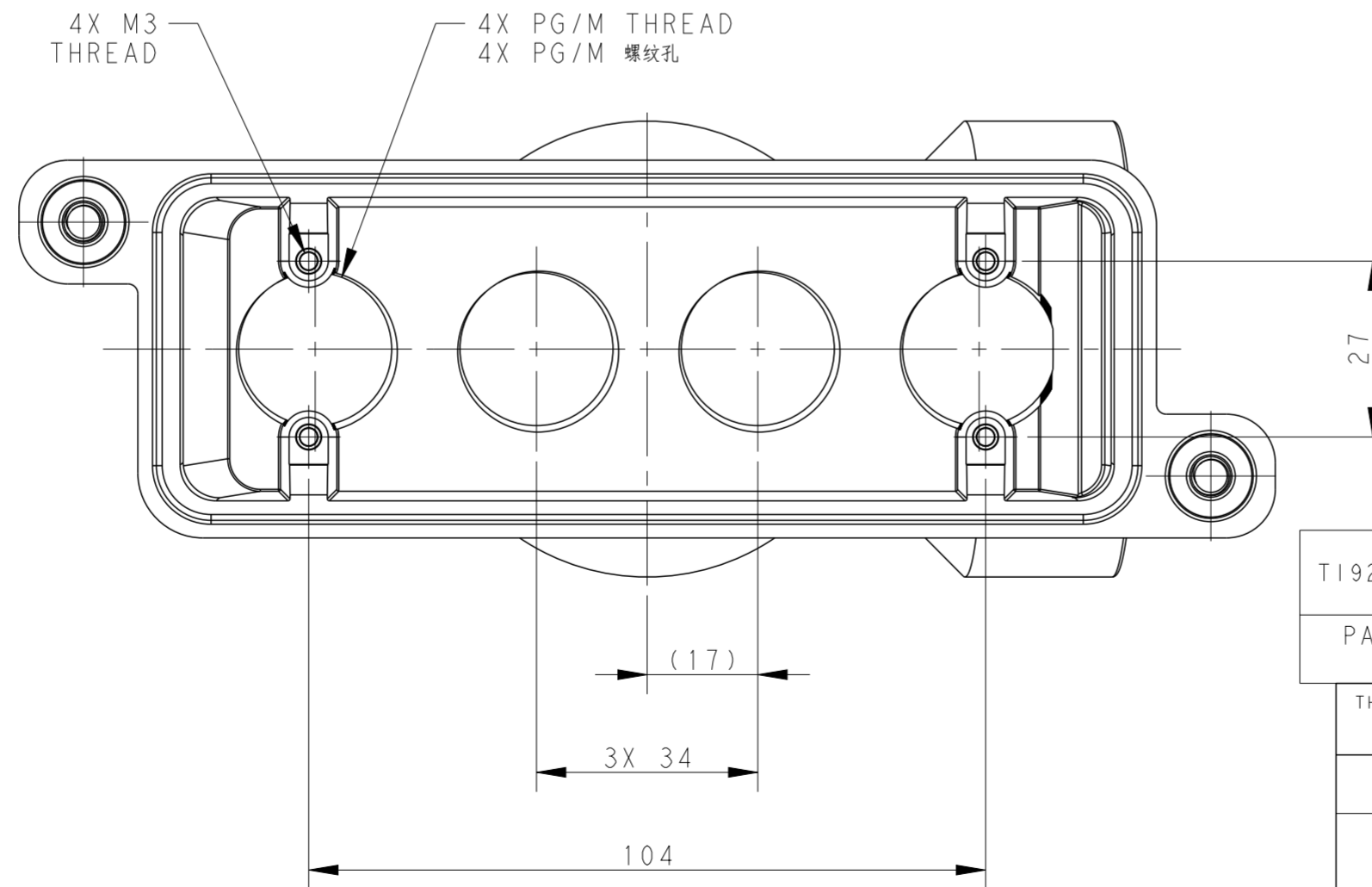
THIS DRAWING IS UNPUBLISHED. RELEASED FOR PUBLICATION 20  
 © COPYRIGHT 20 BY - ALL RIGHTS RESERVED.

REVISIONS				
P	LTR	DESCRIPTION	DATE	APVD
-	-	SEE SHEET 1	-	-

TYPE 3: FOUR TOP ENTRY  
 类型3: 顶部四个出线孔



NOTE:  
SEE SHEET 1



T1920240425-002	H24BPR-TGH-XL-4M25	H24BPR HEIGHTEN HOOD, DIAGONAL LOCKING, TOP ENTRY 4M25, POWDER COATED, BLACK H24BPR 加高上壳, 对角锁定, 顶出4M25, 黑色粉末喷涂	M25
PART NUMBER 料号	PART DESCRIPTION 描述		4X PG/M THREAD 4X PG/M 螺纹孔
THIS DRAWING IS A CONTROLLED DOCUMENT.		DWN ROY LIU 10FEB2017 CHK KYLE ZENG 10FEB2017 APVD CHRIS WANG 10FEB2017	TE Connectivity NAME H24BPR-TGH-XL-XMXX
DIMENSIONS: mm	TOLERANCES UNLESS OTHERWISE SPECIFIED: 0 PLC ± 1 PLC ± 2 PLC ± 3 PLC ± 4 PLC ± ANGLES ± FINISH -	PRODUCT SPEC 108-137014 APPLICATION SPEC 114-137014 WEIGHT -	
MATERIAL -	-	CUSTOMER DRAWING	SIZE A2 CAGE CODE - DRAWING NO. C-T1920240XXX002 RESTRICTED TO SCALE 1:1 SHEET 3 OF 3 REV B1