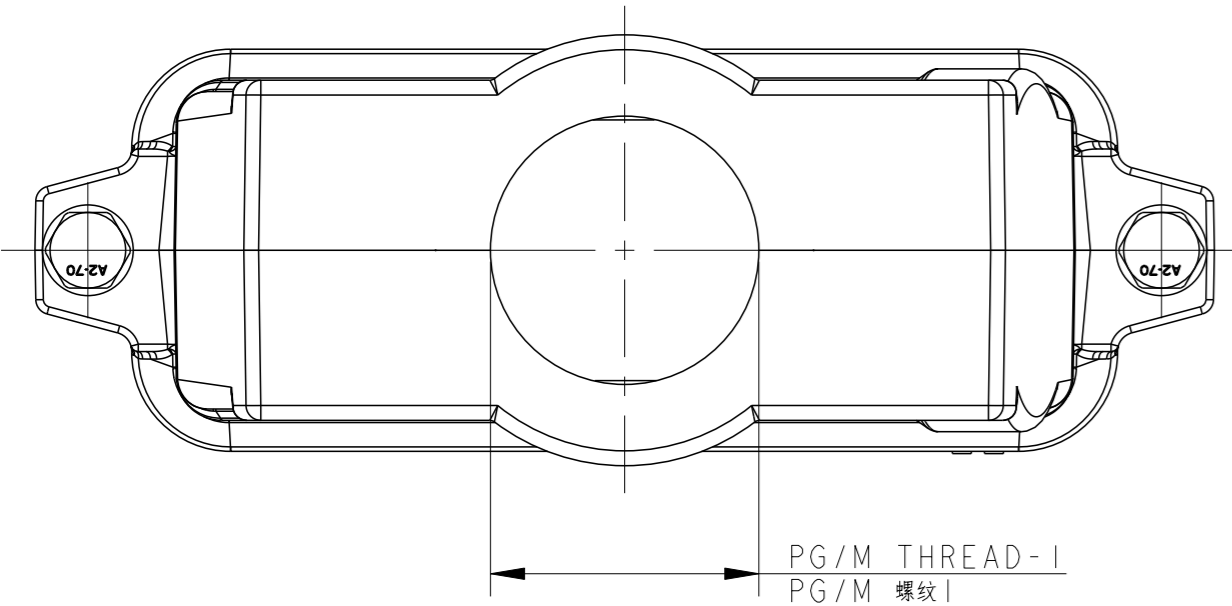
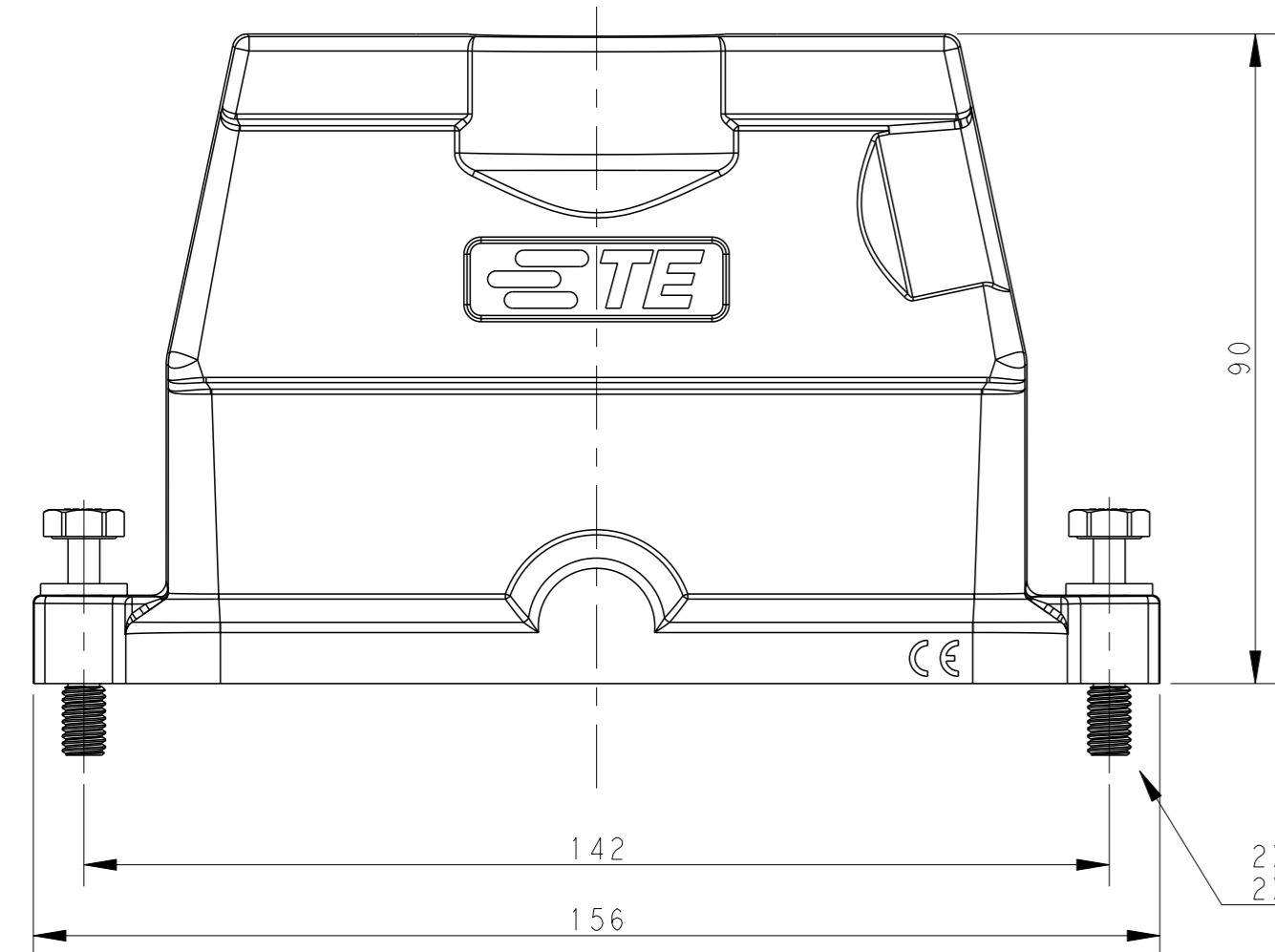


# TYPE 1 类型 1

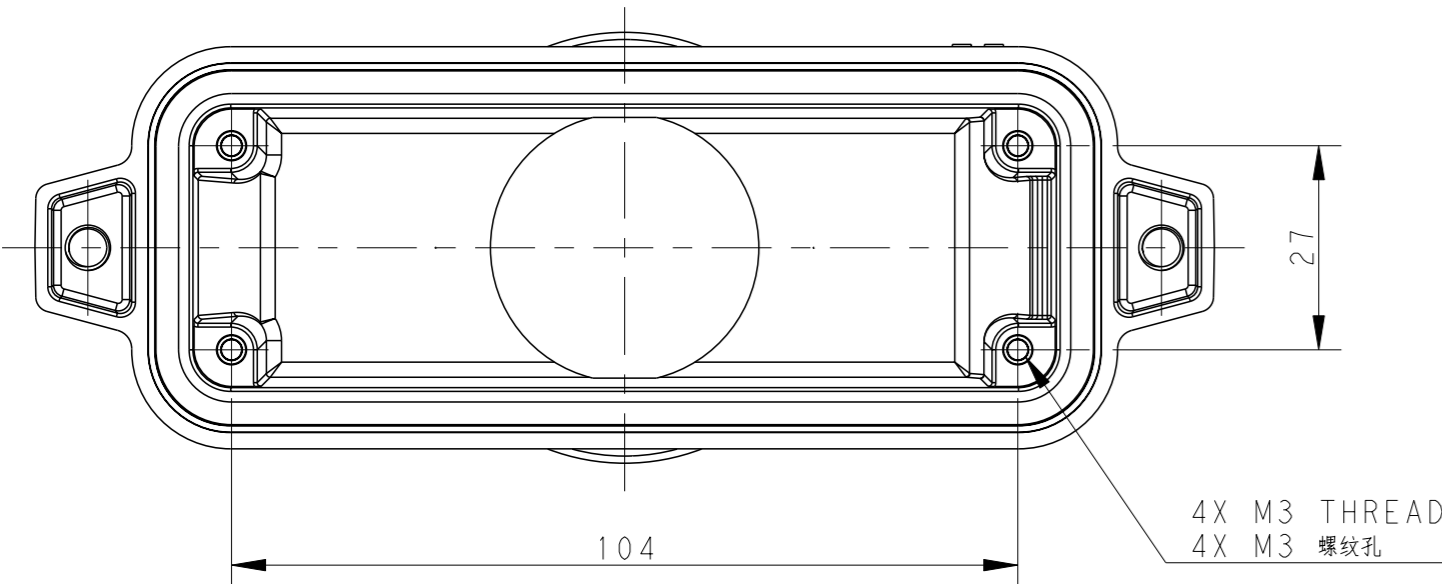
Single PG/M thread  
单个 PG/M 螺纹孔



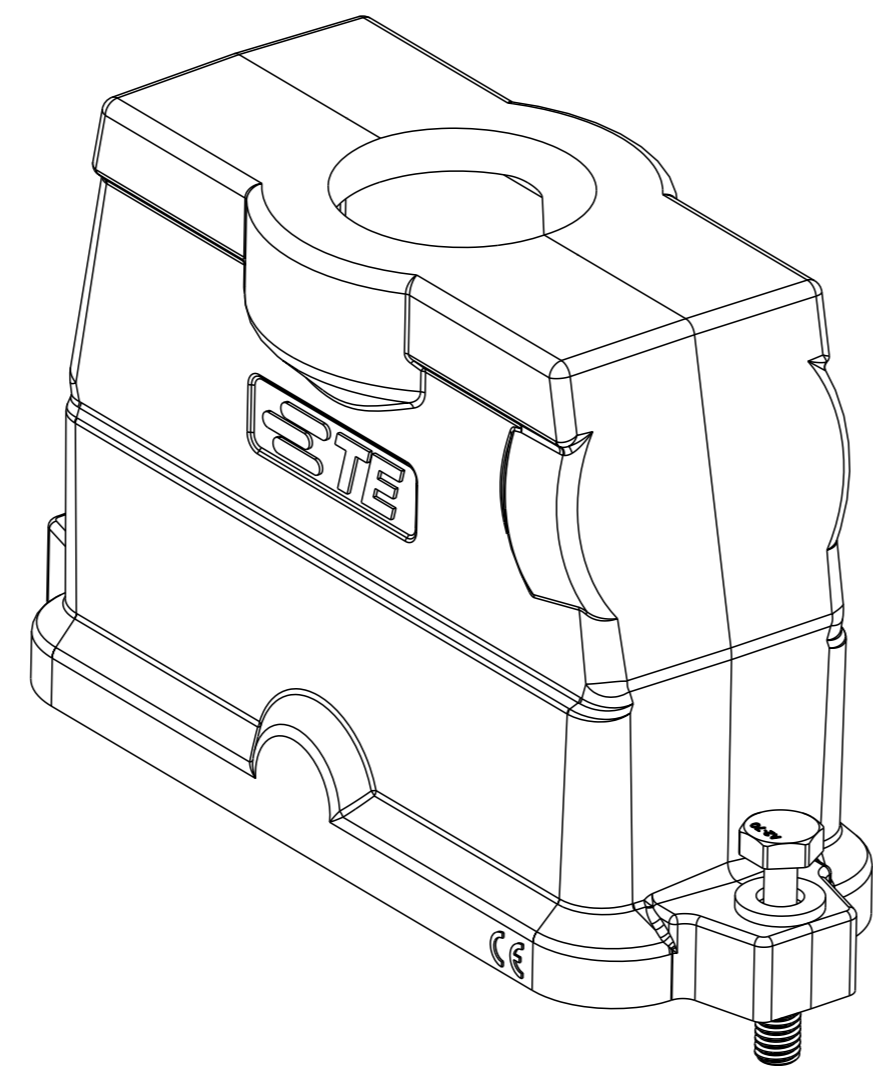
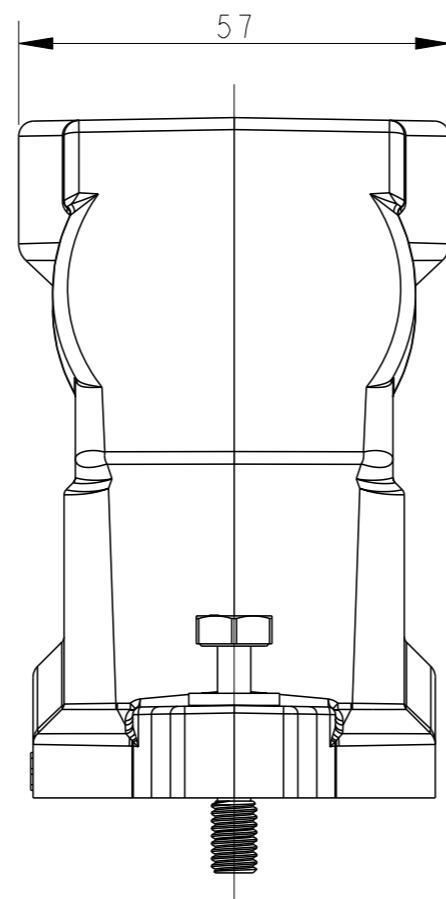
PG/M THREAD-1  
PG/M 螺纹1



2X M6 SCREW  
2X M6 螺丝

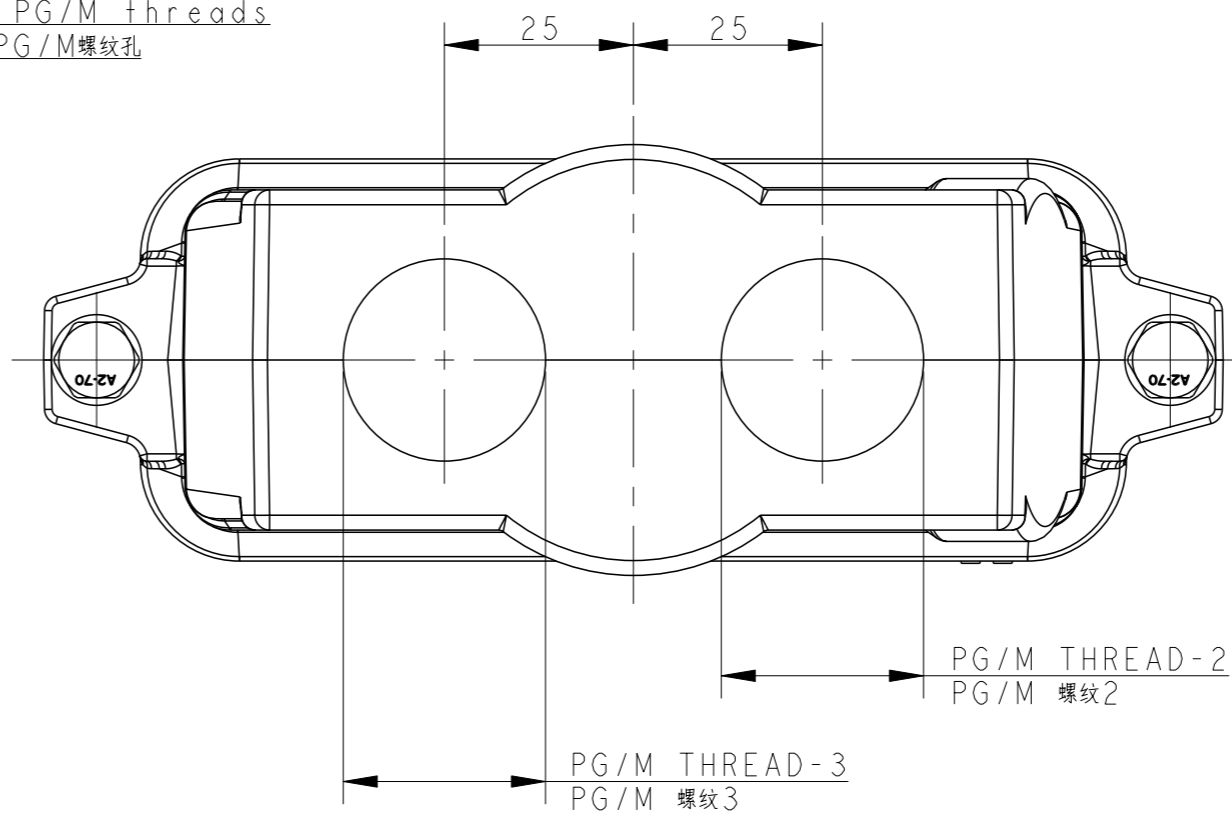


4X M3 THREAD  
4X M3 螺纹孔



# TYPE 2 类型 2

Two PG/M threads  
两个 PG/M 螺纹孔



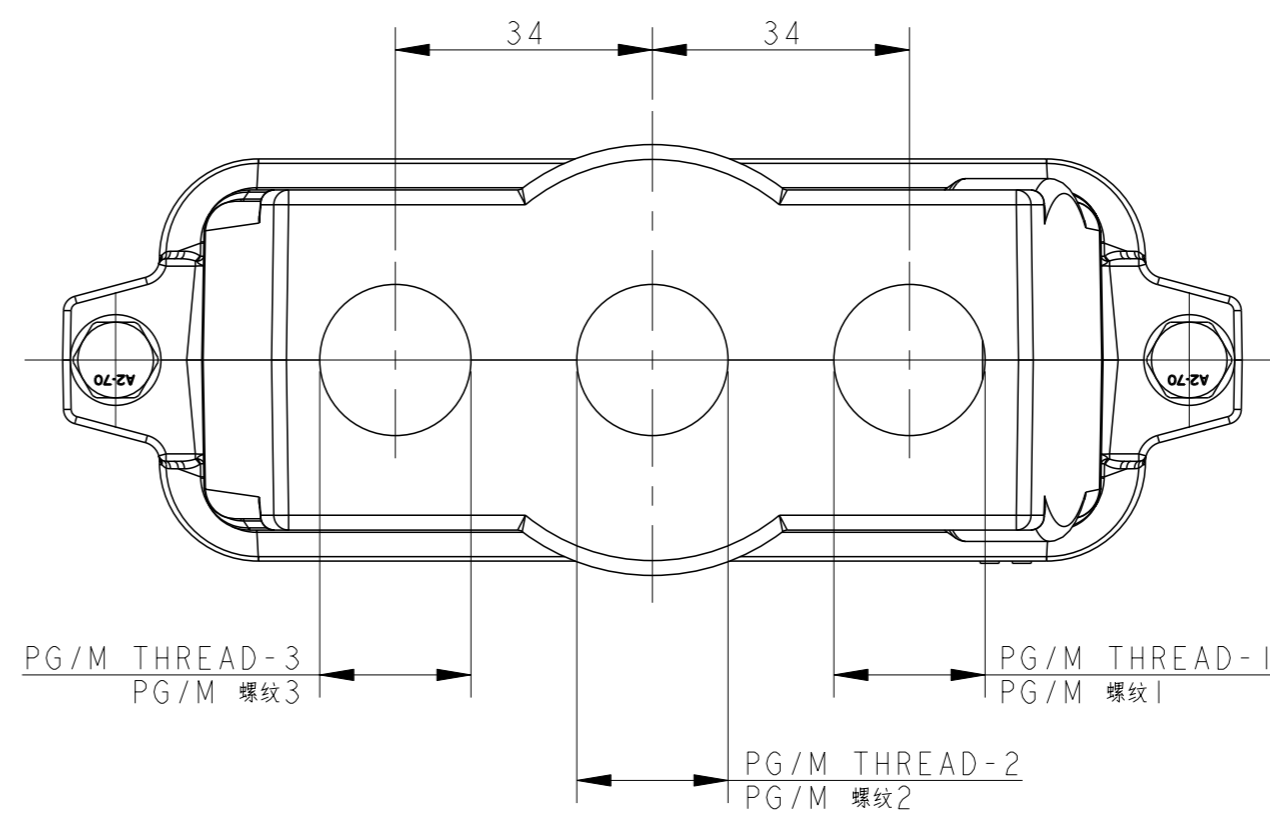
PG/M THREAD-2  
PG/M 螺纹2

PG/M THREAD-3  
PG/M 螺纹3

All dimension is same as TYPE 1, except those defined in this TYPE  
除了在本类型中定义的尺寸外, 其他尺寸同类型 1

# TYPE 3 类型 3

Three PG/M threads  
三个 PG/M 螺纹孔



PG/M THREAD-1  
PG/M 螺纹1

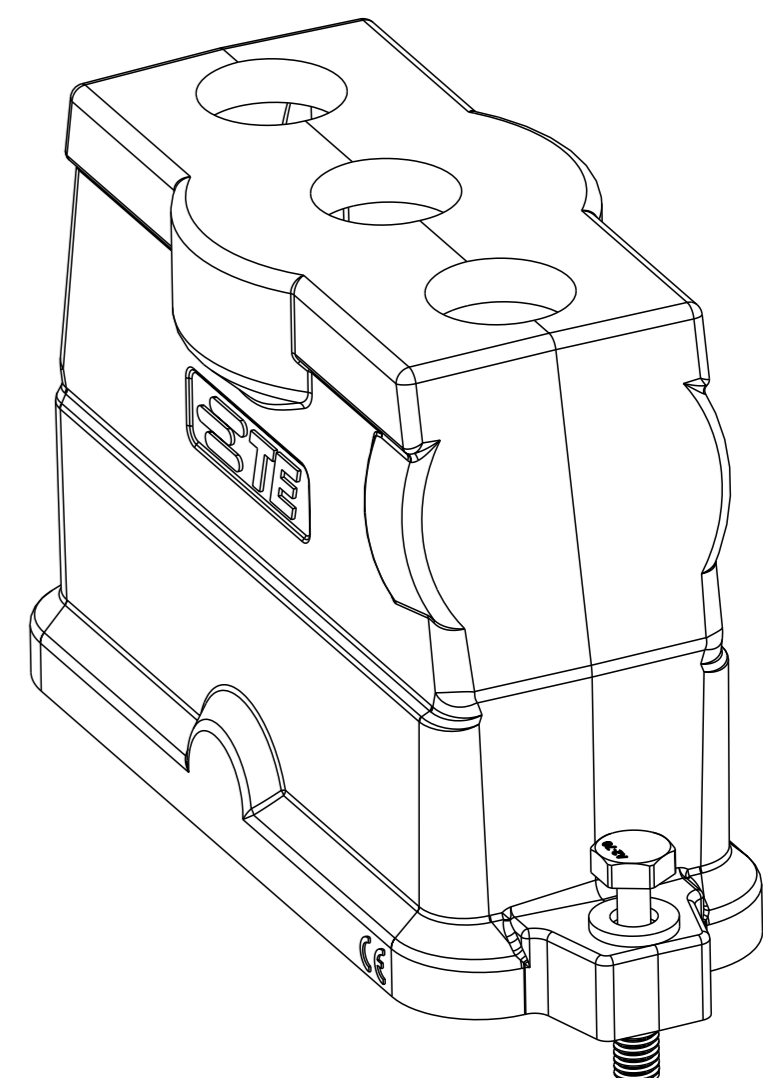
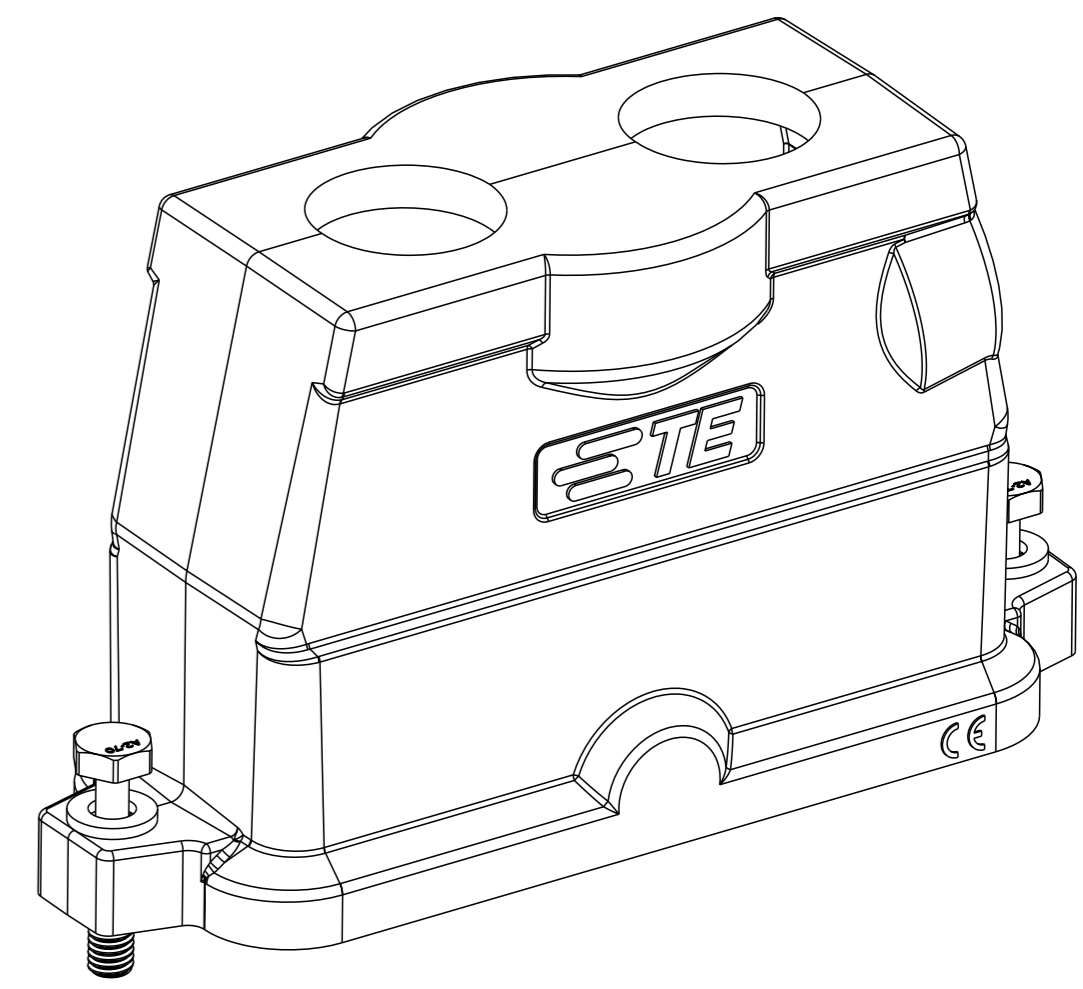
PG/M THREAD-2  
PG/M 螺纹2

All dimension is same as TYPE 1, except those defined in this TYPE  
除了在本类型中定义的尺寸外, 其他尺寸同类型 1

REVISIONS				
#	CL#	DESCRIPTION	DATE	APPV
A		INITIAL RELEASE	07JUN2016	DW CW
A1		ECR-17-018159	13DEC2017	RL CW
A2		ECR-18-012258	01AUG2018	DW CW
B		ECR-20-016312	03JUN2021	BS CW

NOTES:  
1. TECHNICAL CHARACTERISTICS:  
HOOD MATERIAL: DIE CAST ALUMINIUM ALLOY  
SURFACE TREATMENT: SEE TABLE  
DEGREE OF PROTECTION: IP68 (MATED)

注释:  
1. 技术参数:  
壳体材料: 铝合金  
表面处理: 见表格  
防护等级: IP68 (配合)




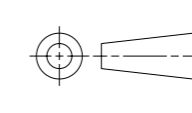
THIS DRAWING IS A CONTROLLED DOCUMENT.		OWN: DAVID WANG 07JUN2016	TE Connectivity NAME: H24BPR-TGHC-PG/M-EMC-C	
DIMENSIONS:		CHK: CHRIS WANG 07JUN2016		
mm	0 PLC ±	APV: XIANG XU 07JUN2016	SIZE: A1	
	1 PLC ±	PRODUCT SPEC	CAGE CODE: -	
	2 PLC ±	APPLICATION SPEC	DRAWING NO: C-T192224XXXXX09	
	3 PLC ±	FINISH	RESTRICTED TO: 1 OF 2	
	4 PLC ±	WEIGHT	SCALE: 1:1	
MATERIAL	FINISH	CUSTOMER DRAWING	REV: B	

THIS DRAWING IS UNPUBLISHED. RELEASED FOR PUBLICATION 20  
 © COPYRIGHT 20 BY ALL RIGHTS RESERVED.

REVISIONS				
#	LY#	DESCRIPTION	DATE	OWN APVD
-	-	SEE SHEET 1	-	-

NOTES:  
SEE SHEET 1

PART NUMBER	DESCRIPTION	PG/M THREAD-3	PG/M THREAD-2	PG/M THREAD-1	TYPE
T1922240320-009	H24BPR HOOD,CENTER LOCKING, TOP ENTRY 3M20, BLACK H24BPR上壳, 中部锁定, 顶出3M20, 黑色	M20	M20	M20	TYPE 3 类型3
T1922241221-009	H24BPR HOOD,CENTER LOCKING, TOP ENTRY 2PG21, SILVER WHITE H24BPR上壳, 中部锁定, 顶出2PG21, 银白色	PG21	PG21	-	TYPE 2 类型2
T1922242150-009	H24BPR HOOD,CENTER LOCKING, TOP ENTRY M50, GREY H24BPR上壳, 中部锁定, 顶出M50, 灰色	-	-	M50	TYPE 1 类型1
T1922241140-009	H24BPR HOOD,CENTER LOCKING, TOP ENTRY M40, SILVER WHITE H24BPR上壳, 中部锁定, 顶出M40, 银白色	-	-	M40	
T1922241136-009	H24BPR HOOD,CENTER LOCKING, TOP ENTRY PG36, SILVER WHITE H24BPR上壳, 中部锁定, 顶出PG36, 银白色	-	-	PG36	
T1922241132-009	H24BPR HOOD,CENTER LOCKING, TOP ENTRY M32, SILVER WHITE H24BPR上壳, 中部锁定, 顶出M32, 银白色	-	-	M32	
T1922241129-009	H24BPR HOOD,CENTER LOCKING, TOP ENTRY PG29, SILVER WHITE H24BPR上壳, 中部锁定, 顶出PG29, 银白色	-	-	PG29	
T1922241125-009	H24BPR HOOD,CENTER LOCKING, TOP ENTRY M25, SILVER WHITE H24BPR上壳, 中部锁定, 顶出M25, 银白色	-	-	M25	
T1922241121-009	H24BPR HOOD,CENTER LOCKING, TOP ENTRY PG21, SILVER WHITE H24BPR上壳, 中部锁定, 顶出PG21, 银白色	-	-	PG21	
T1922240140-009	H24BPR HOOD,CENTER LOCKING, TOP ENTRY M40, BLACK H24BPR上壳, 中部锁定, 顶出M40, 黑色	-	-	M40	
T1922240136-009	H24BPR HOOD,CENTER LOCKING, TOP ENTRY PG36, BLACK H24BPR上壳, 中部锁定, 顶出PG36, 黑色	-	-	PG36	
T1922240132-009	H24BPR HOOD,CENTER LOCKING, TOP ENTRY M32, BLACK H24BPR上壳, 中部锁定, 顶出PG32, 黑色	-	-	M32	
T1922240129-009	H24BPR HOOD,CENTER LOCKING, TOP ENTRY PG29, BLACK H24BPR上壳, 中部锁定, 顶出PG29, 黑色	-	-	PG29	
T1922240125-009	H24BPR HOOD,CENTER LOCKING, TOP ENTRY M25, BLACK H24BPR上壳, 中部锁定, 顶出M25, 黑色	-	-	M25	
T1922240121-009	H24BPR HOOD,CENTER LOCKING, TOP ENTRY PG21, BLACK H24BPR上壳, 中部锁定, 顶出PG21, 黑色	-	-	PG21	

THIS DRAWING IS A CONTROLLED DOCUMENT. DIMENSIONS: mm		TOLERANCES UNLESS OTHERWISE SPECIFIED: 0 PLC ±, 1 PLC ±, 2 PLC ±, 3 PLC ±, 4 PLC ±, ANGLES FINISH ±		OWN: DAVID WANG 07JUN2016 CHK: CHRIS WANG 07JUN2016 APVD: XIANG XU 07JUN2016	 TE Connectivity NAME: H24BPR-TGHC-PG/M-EMC-C
		MATERIAL: -		PRODUCT SPEC: 108-137191 APPLICATION SPEC: 114-137191 WEIGHT: - CUSTOMER DRAWING	
SIZE: A1		CAGE CODE: -		DRAWING NO: T192224XXXXX09	
SCALE: 1:1		SHEET: 2		REV: B	