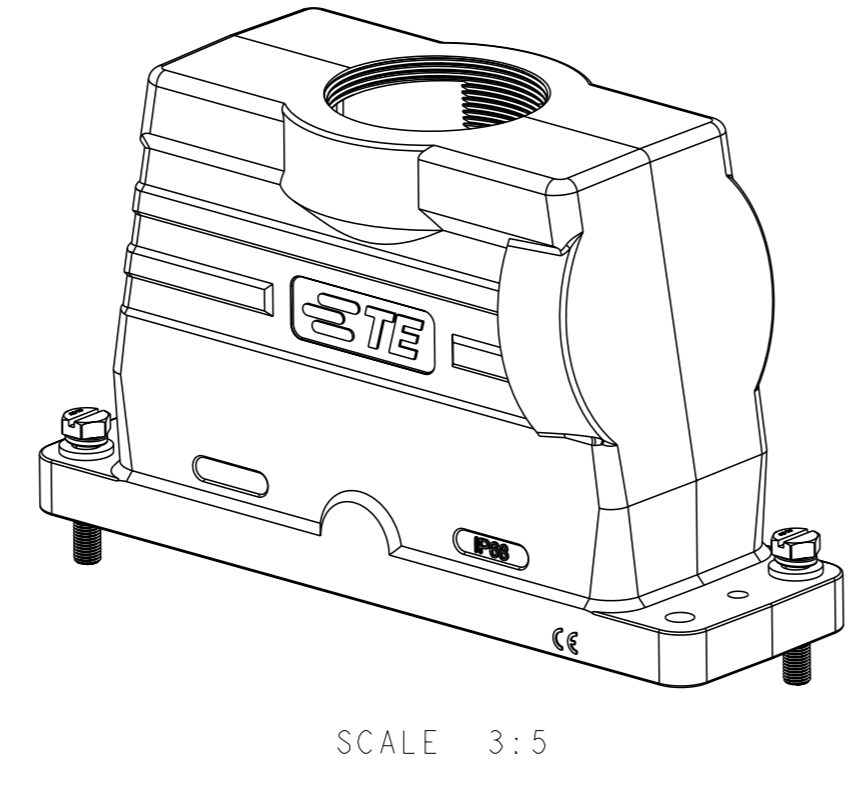
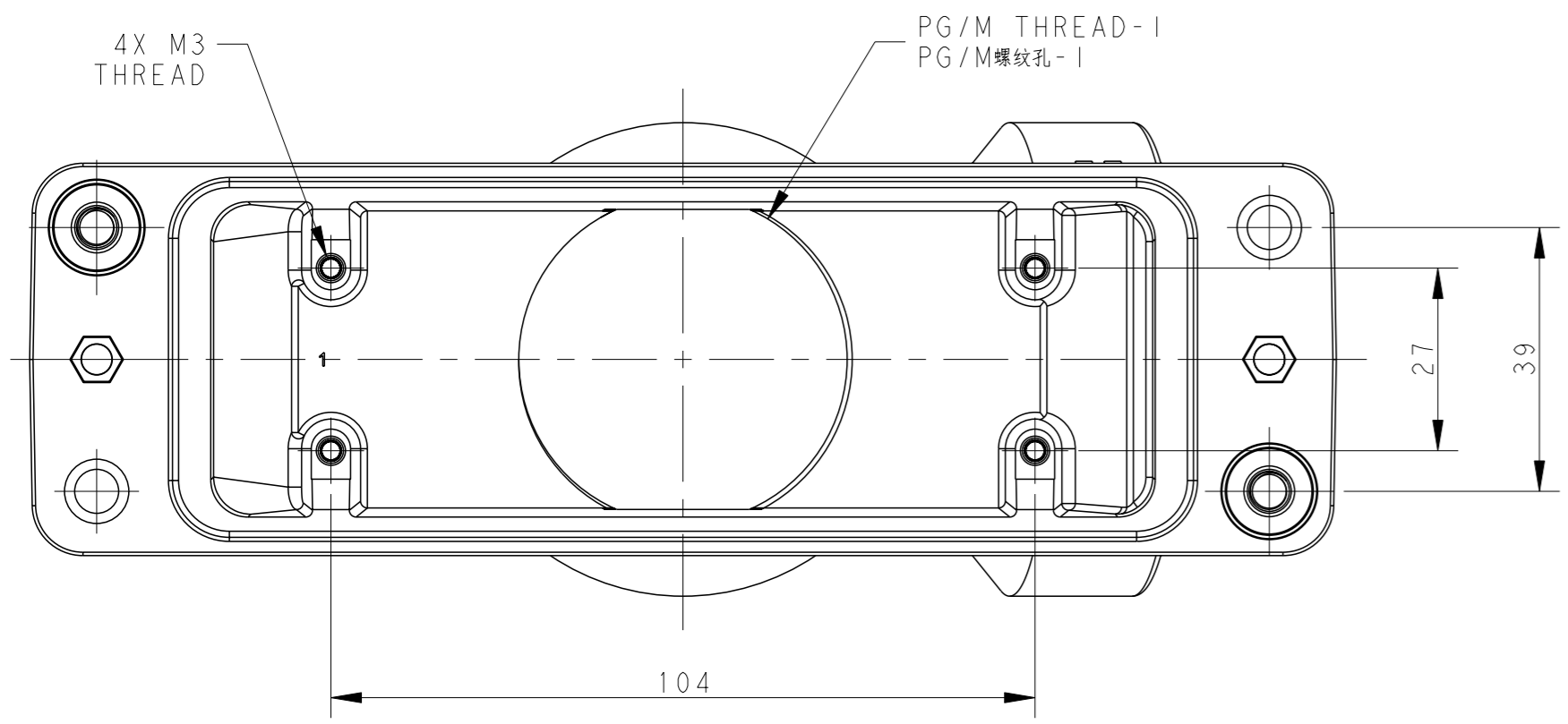
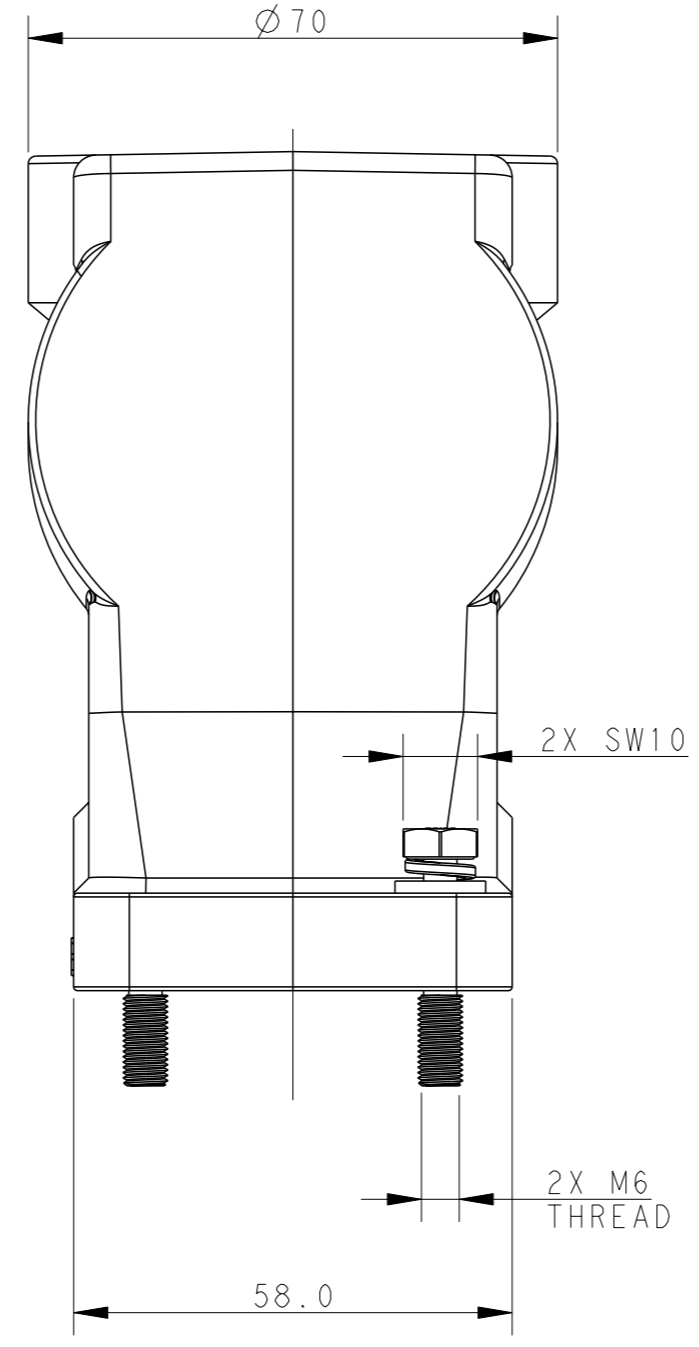
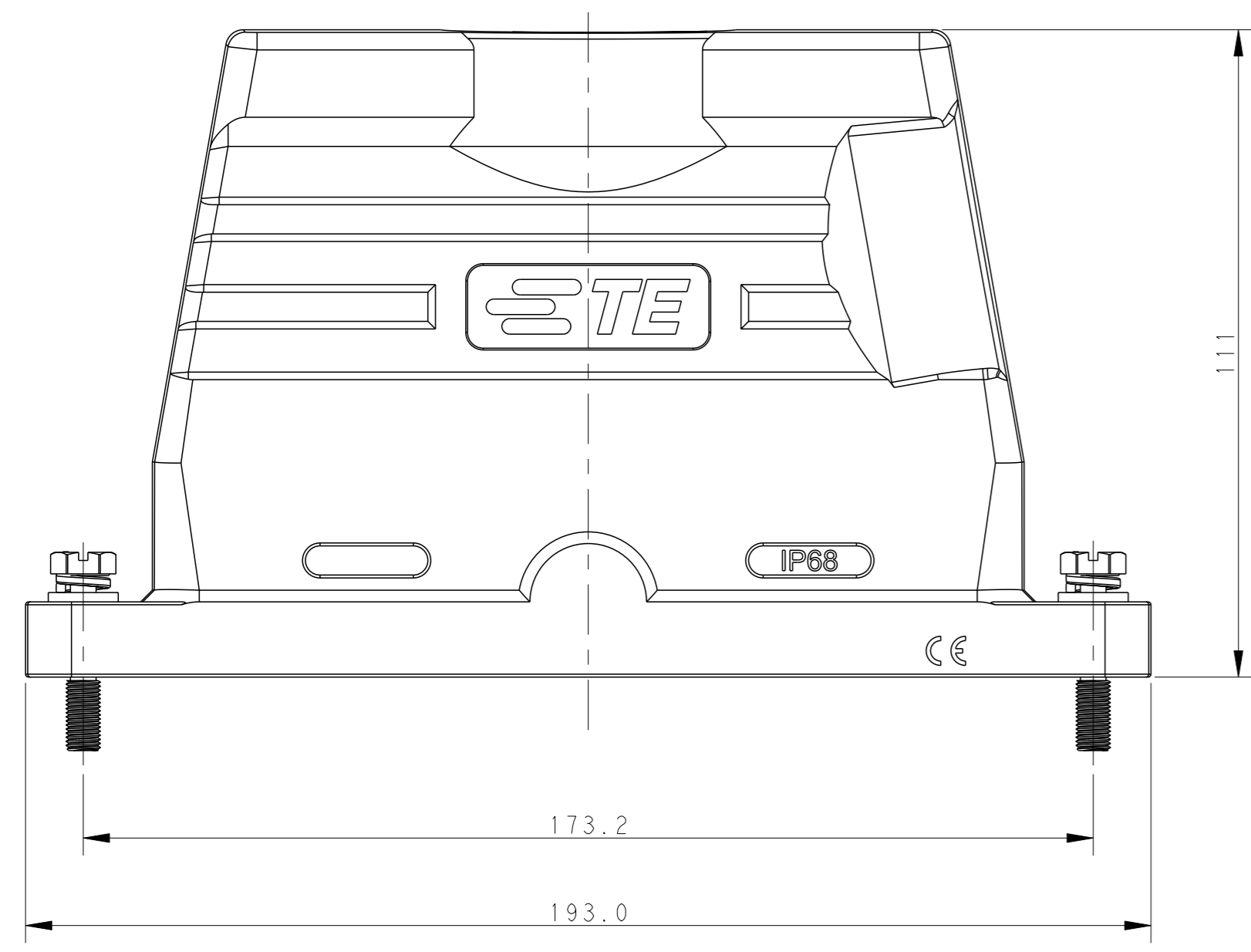
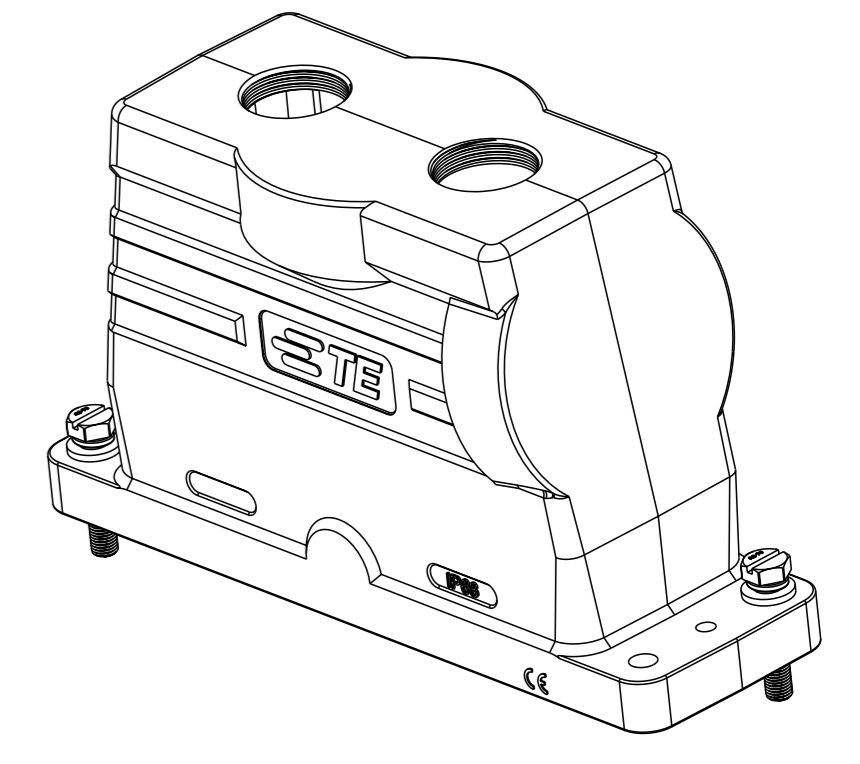
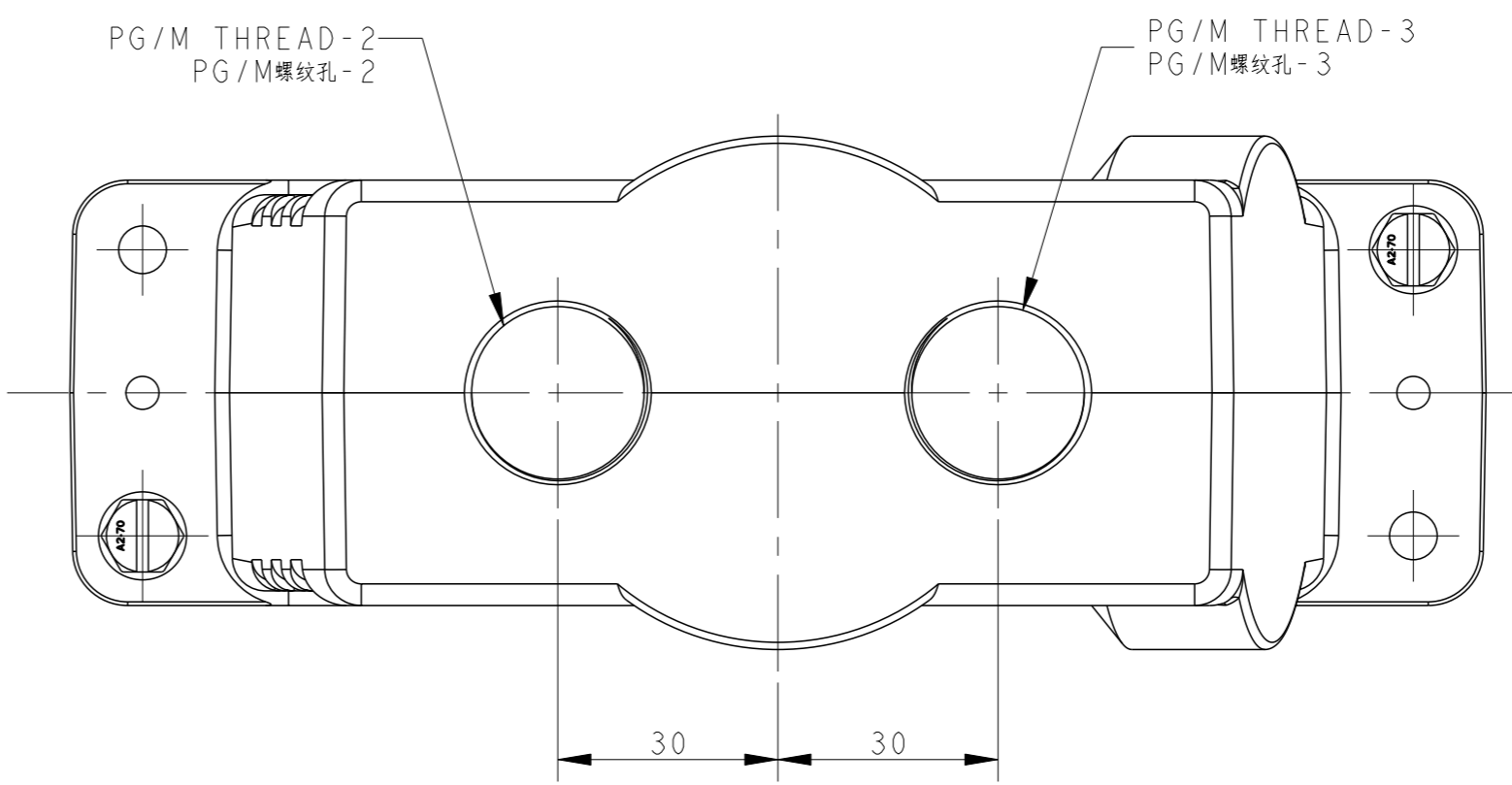


TYPE 1: TOP ENTRY  
类型 1: 顶出



TYPE 2: TWO TOP ENTRY,  
THE OTHER DIMENSIONS THE SAME AS TYPE 1  
类型 2: 双顶出, 其他尺寸与类型 1 相同



REVISIONS				
#	LT#	DESCRIPTION	DATE	OWN APVD
A		INITIAL	06 JUN 2016	RL CW
A1		ECR-16-012141	30 AUG 2016	RL CW
A2		ECR-16-015006	27 OCT 2016	RL CW
B		ECR-20-014403	20 MAY 2021	BS CW

NOTES:  
1. TECHNICAL CHARACTERISTICS:  
HOOD MATERIAL: DIE CAST ALUMINIUM ALLOY  
SURFACE TREATMENT: POWDER COATED, BLACK  
DEGREE OF PROTECTION: IP68 (MATED)

注释:  
1. 技术参数:  
壳体材料: 铝合金  
表面处理: 黑色粉末喷涂  
防护等级: IP68 (配合)

PART NUMBER	PART DESCRIPTION	PG/M THREAD-1	PG/M THREAD-2	PG/M THREAD-3	TYPE
料号	描述	PG/M 螺纹孔-1	PG/M 螺纹孔-2	PG/M 螺纹孔-3	类型
T1926240240-001	H24BPR-TGH-4S-2M40 H24BPR HOOD, QUADRANGE LOCKING, TWO TOP ENTRY 2M40, POWDER COATED, BLACK H24BPR上壳, 四角锁定, 双顶出2M40, 黑色粉末喷涂	-	M40	M40	TYPE 2 TWO TOP ENTRY 类型 2 双顶出
T1926240232-001	H24BPR-TGH-4S-2M32 H24BPR HOOD, QUADRANGE LOCKING, TWO TOP ENTRY 2M32, POWDER COATED, BLACK H24BPR上壳, 四角锁定, 双顶出2M32, 黑色粉末喷涂	-	M32	M32	
T1926240225-001	H24BPR-TGH-4S-2M25 H24BPR HOOD, QUADRANGE LOCKING, TWO TOP ENTRY 2M25, POWDER COATED, BLACK H24BPR上壳, 四角锁定, 双顶出2M25, 黑色粉末喷涂	-	M25	M25	
T1926240163-001	H24BPR-TGH-4S-M63 H24BPR HOOD, QUADRANGE LOCKING, TOP ENTRY M63, POWDER COATED, BLACK H24BPR上壳, 四角锁定, 顶出M63, 黑色粉末喷涂	M63	-	-	
T1926240150-001	H24BPR-TGH-4S-M50 H24BPR HOOD, QUADRANGE LOCKING, TOP ENTRY M50, POWDER COATED, BLACK H24BPR上壳, 四角锁定, 顶出M50, 黑色粉末喷涂	M50	-	-	
T1926240140-001	H24BPR-TGH-4S-M40 H24BPR HOOD, QUADRANGE LOCKING, TOP ENTRY M40, POWDER COATED, BLACK H24BPR上壳, 四角锁定, 顶出M40, 黑色粉末喷涂	M40	-	-	
T1926240132-001	H24BPR-TGH-4S-M32 H24BPR HOOD, QUADRANGE LOCKING, TOP ENTRY M32, POWDER COATED, BLACK H24BPR上壳, 四角锁定, 顶出M32, 黑色粉末喷涂	M32	-	-	TYPE 1 TOP ENTRY 类型 1 顶出
T1926240148-001	H24BPR-TGH-4S-PG48 H24BPR HOOD, QUADRANGE LOCKING, TOP ENTRY PG48, POWDER COATED, BLACK H24BPR上壳, 四角锁定, 顶出PG48, 黑色粉末喷涂	PG48	-	-	
T1926240142-001	H24BPR-TGH-4S-PG42 H24BPR HOOD, QUADRANGE LOCKING, TOP ENTRY PG42, POWDER COATED, BLACK H24BPR上壳, 四角锁定, 顶出PG42, 黑色粉末喷涂	PG42	-	-	
T1926240136-001	H24BPR-TGH-4S-PG36 H24BPR HOOD, QUADRANGE LOCKING, TOP ENTRY PG36, POWDER COATED, BLACK H24BPR上壳, 四角锁定, 顶出PG36, 黑色粉末喷涂	PG36	-	-	
T1926240129-001	H24BPR-TGH-4S-PG29 H24BPR HOOD, QUADRANGE LOCKING, TOP ENTRY PG29, POWDER COATED, BLACK H24BPR上壳, 四角锁定, 顶出PG29, 黑色粉末喷涂	PG29	-	-	

THIS DRAWING IS A CONTROLLED DOCUMENT.

OWN: ROY LIU 06 JUN 2016  
CHK: KYLE ZENG 06 JUN 2016  
APVD: CHRIS WANG 06 JUN 2016

DIMENSIONS: mm  
TOLERANCES UNLESS OTHERWISE SPECIFIED:  
0 PLC ±  
1 PLC ±  
2 PLC ±  
3 PLC ±  
4 PLC ±  
ANGLES FINISH ±

MATERIAL: -  
FINISH: -

WEIGHT: -

CUSTOMER DRAWING

NAME: H24BPR-TGH-4S-PG/M

PRODUCT SPEC: 108-137014  
APPLICATION SPEC: 114-137014

SIZE: A1  
CAGE CODE: -  
DRAWING NO: C-T1926240XXX00X

RESTRICTED TO: -  
SCALE: 1:1  
SHEET: 1 of 1  
REV: B