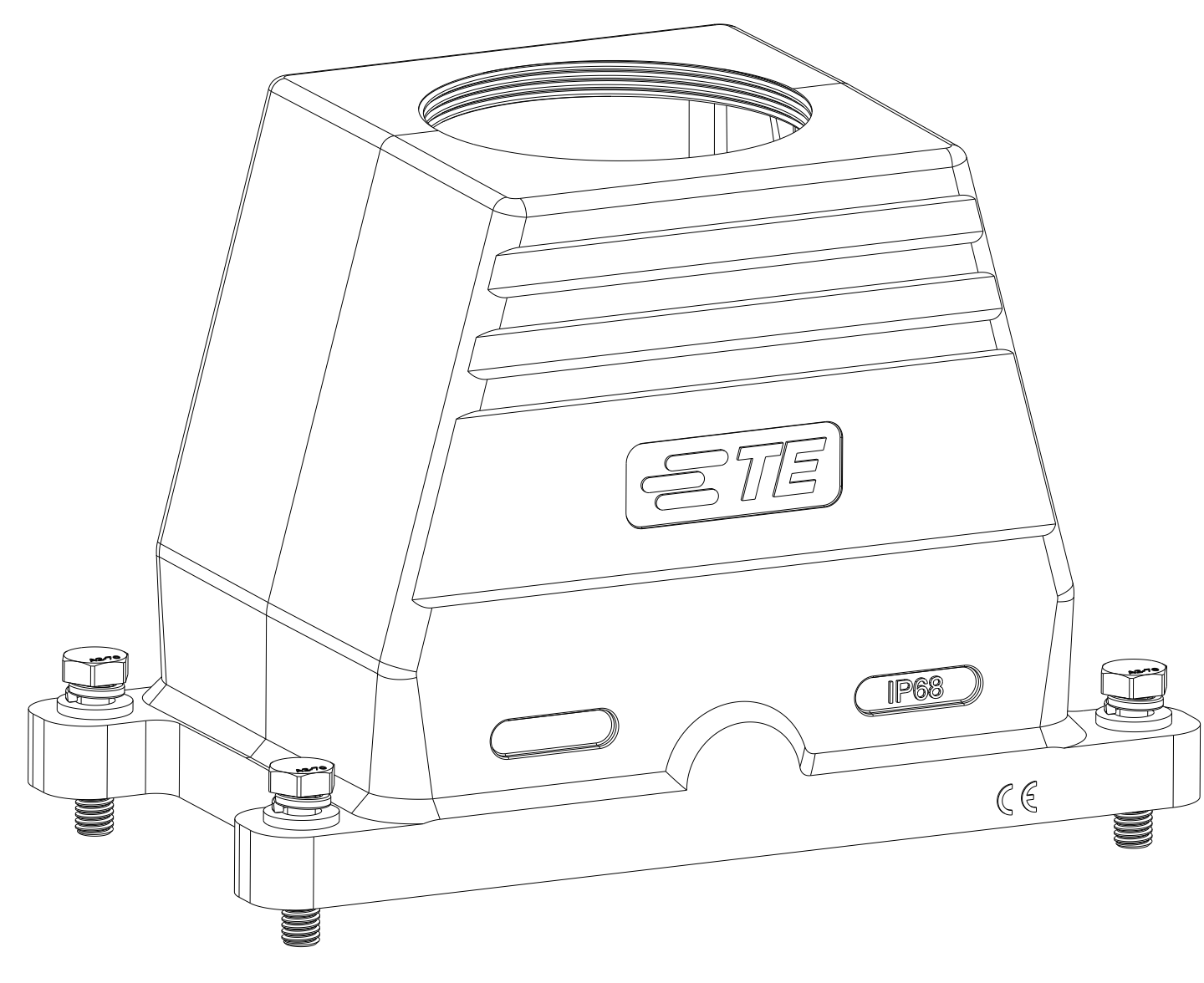
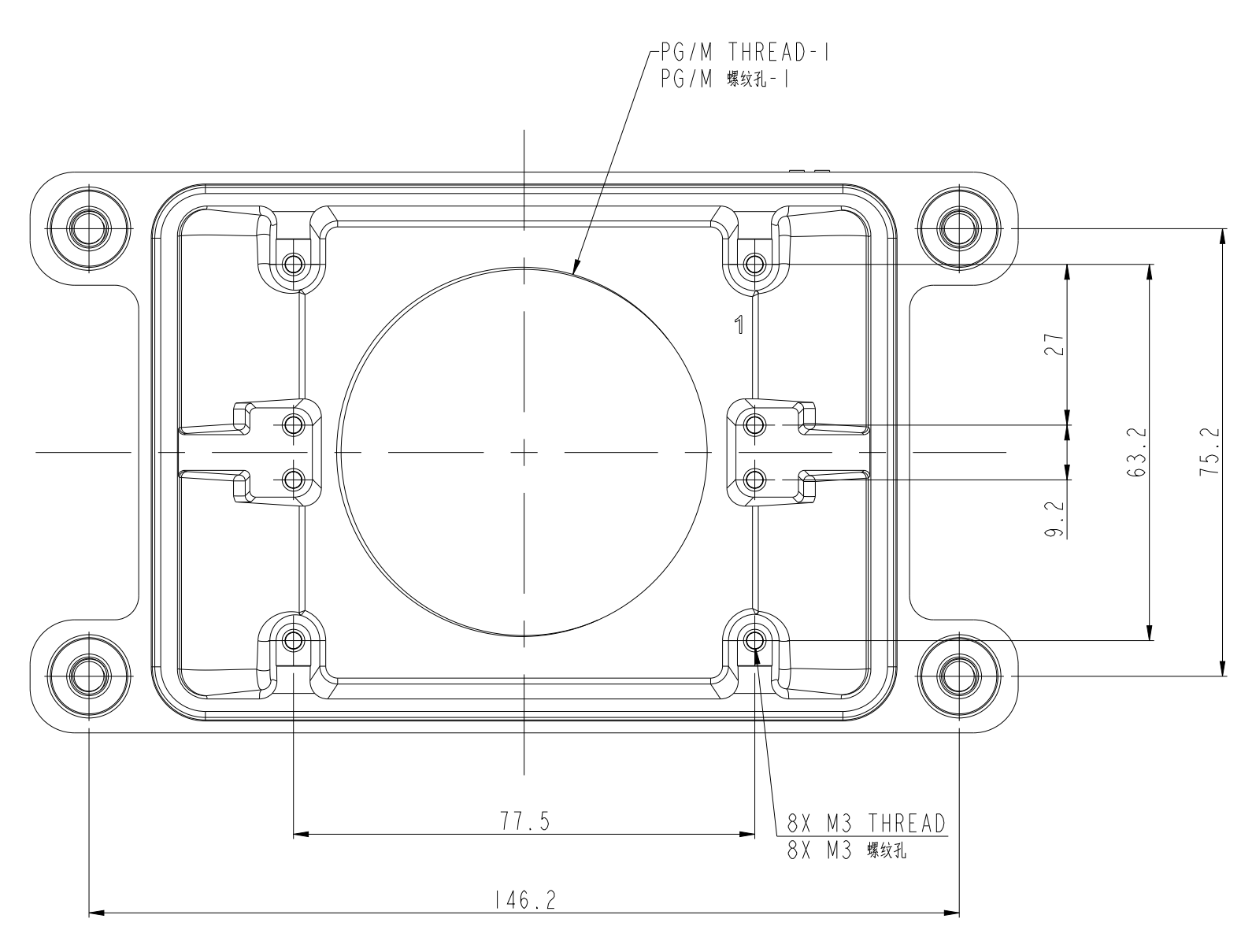
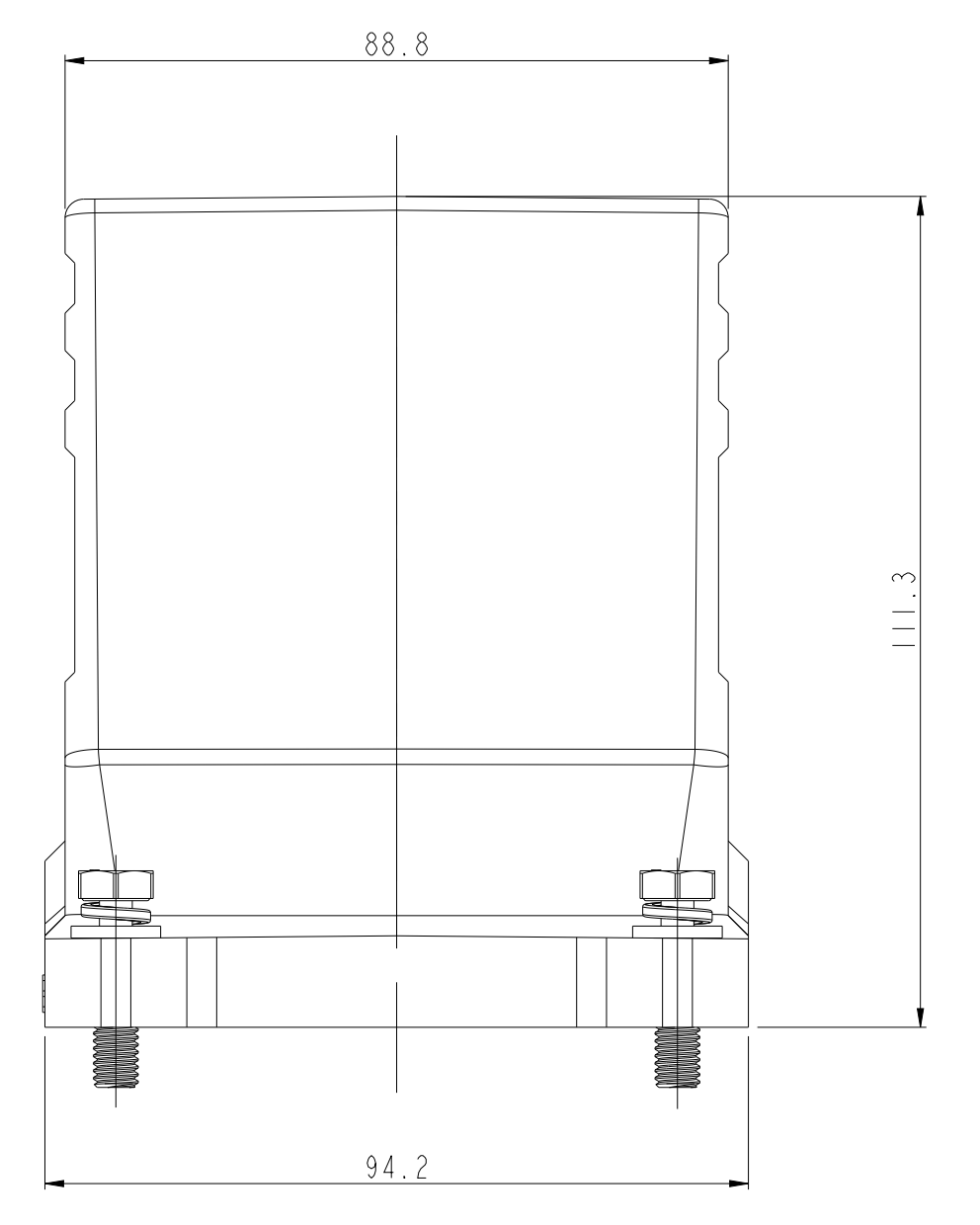
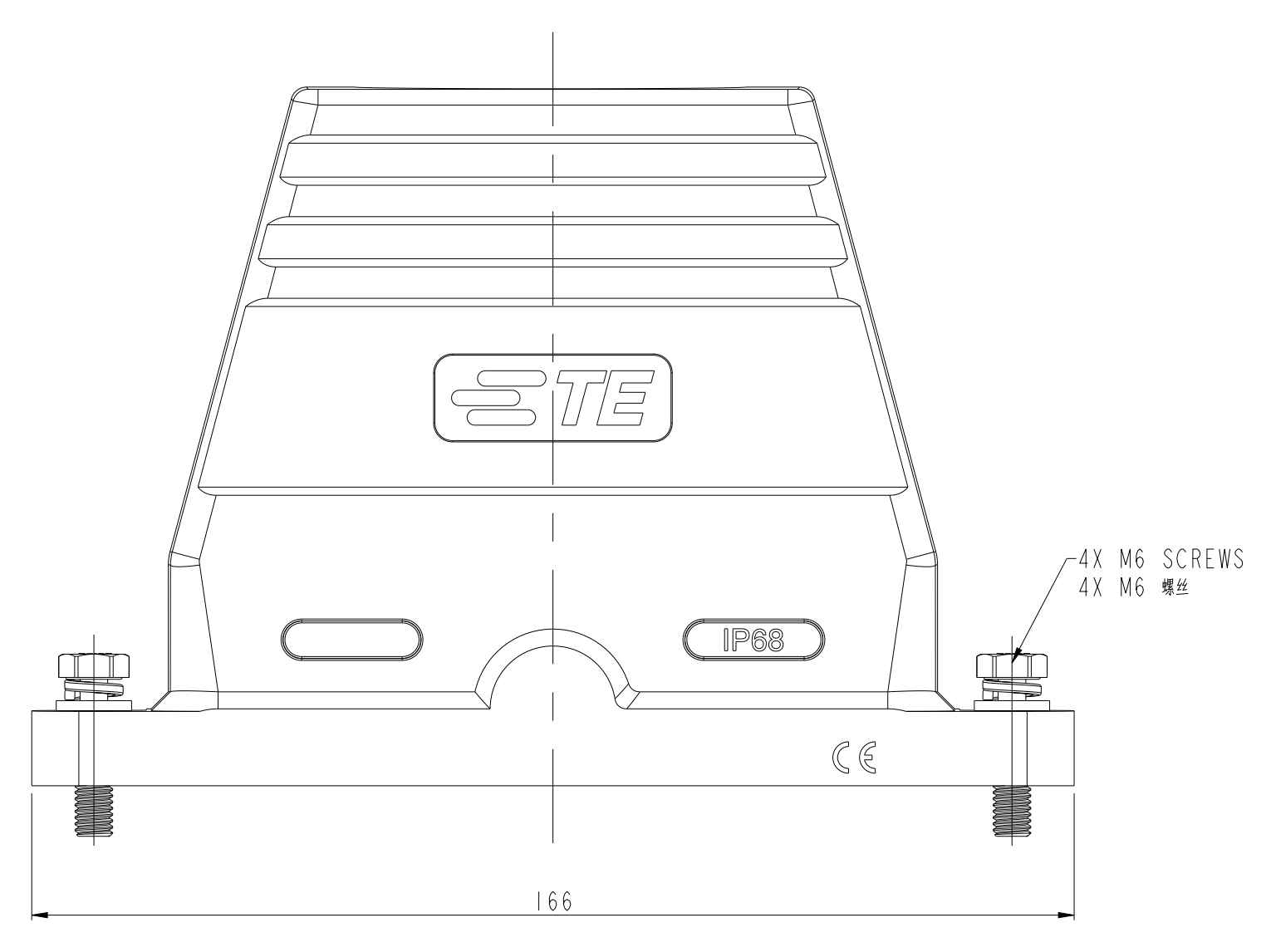
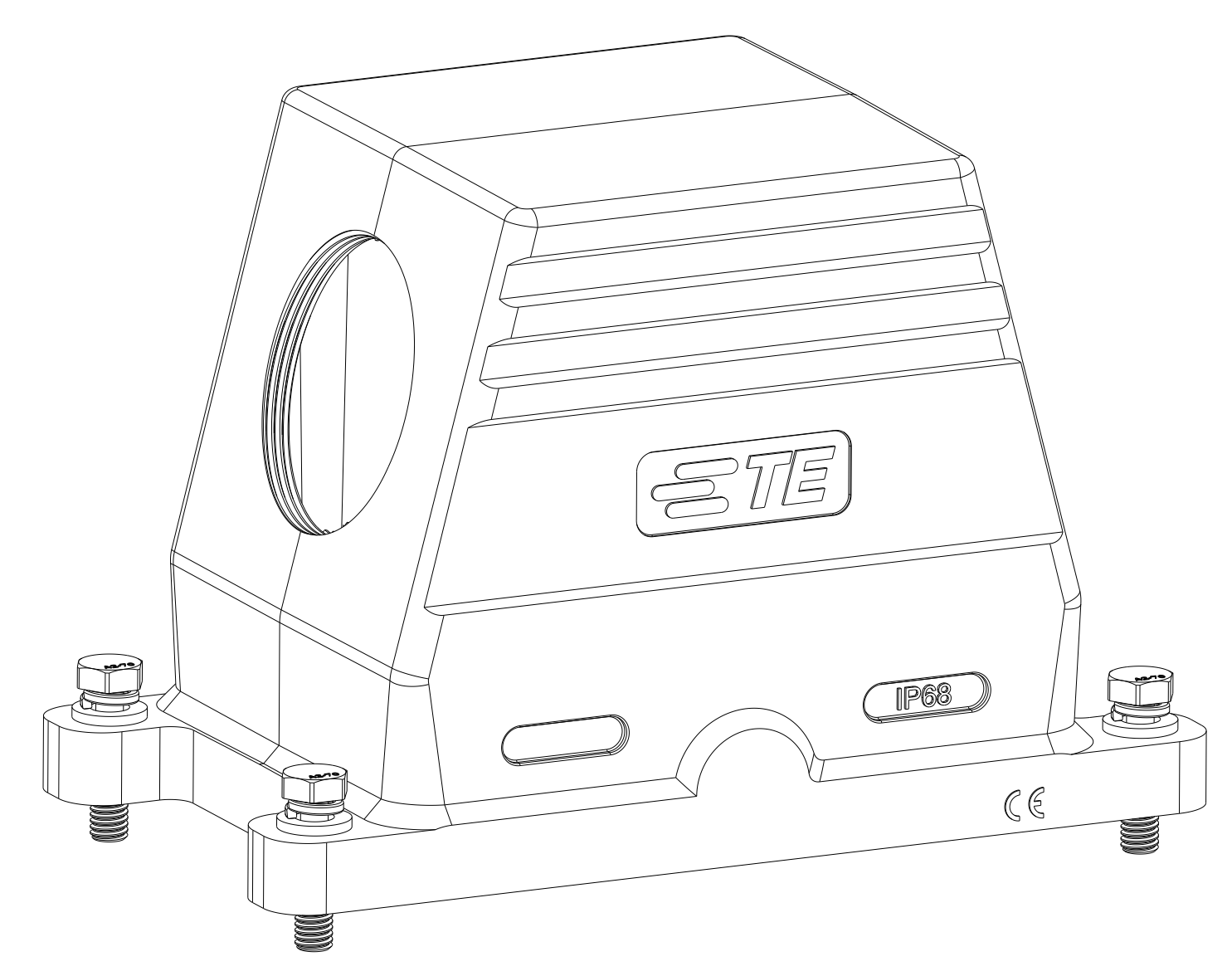
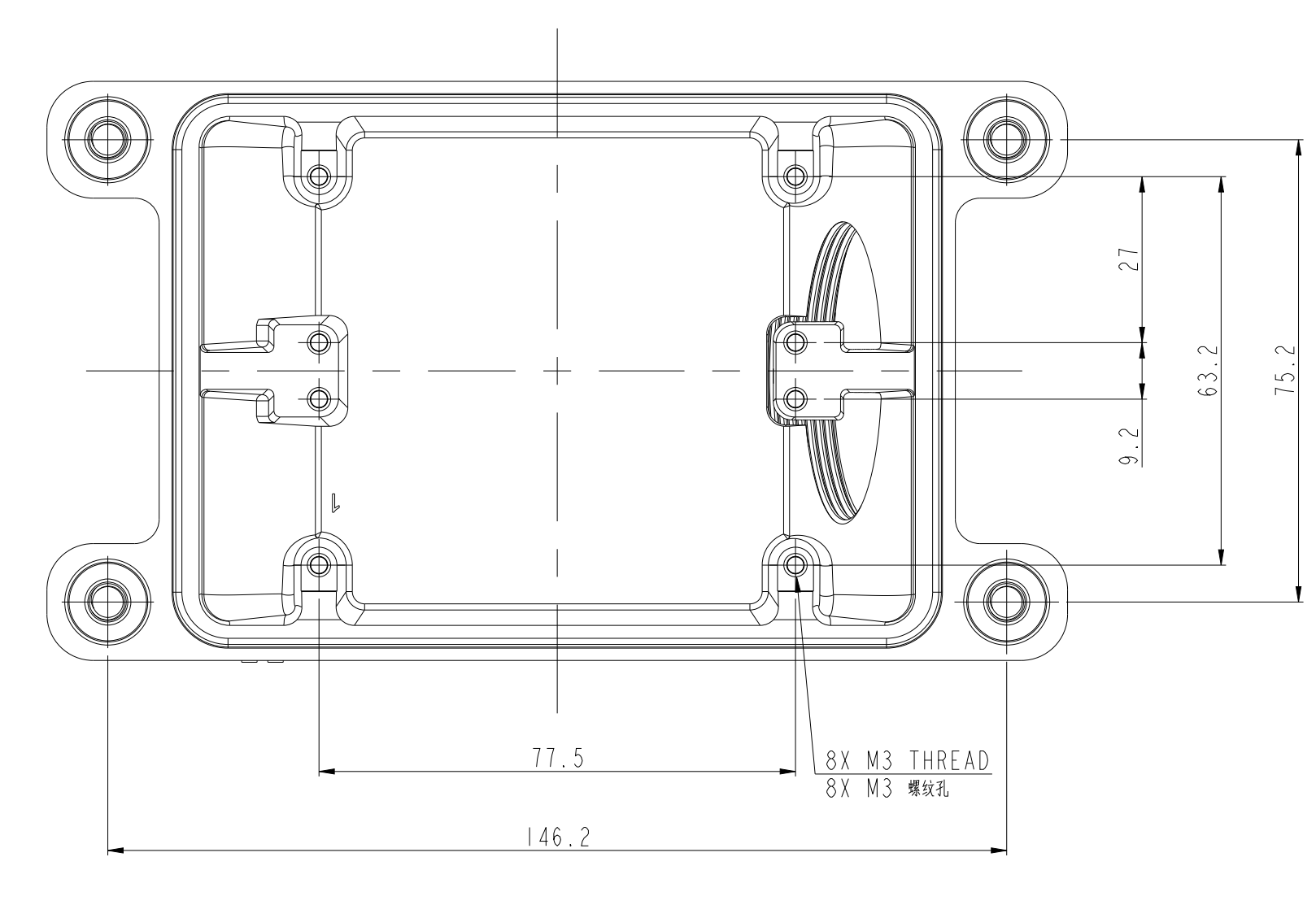
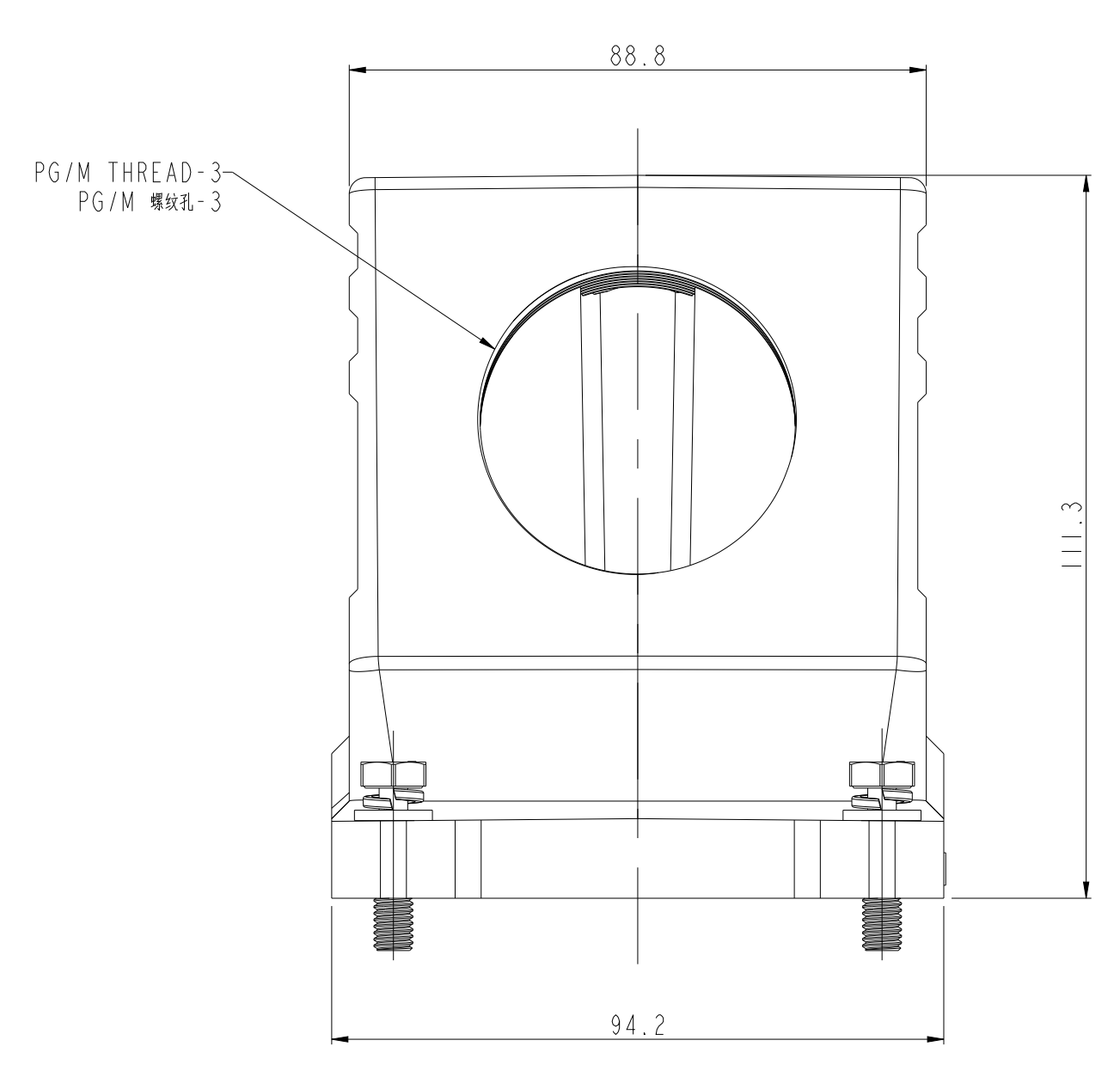
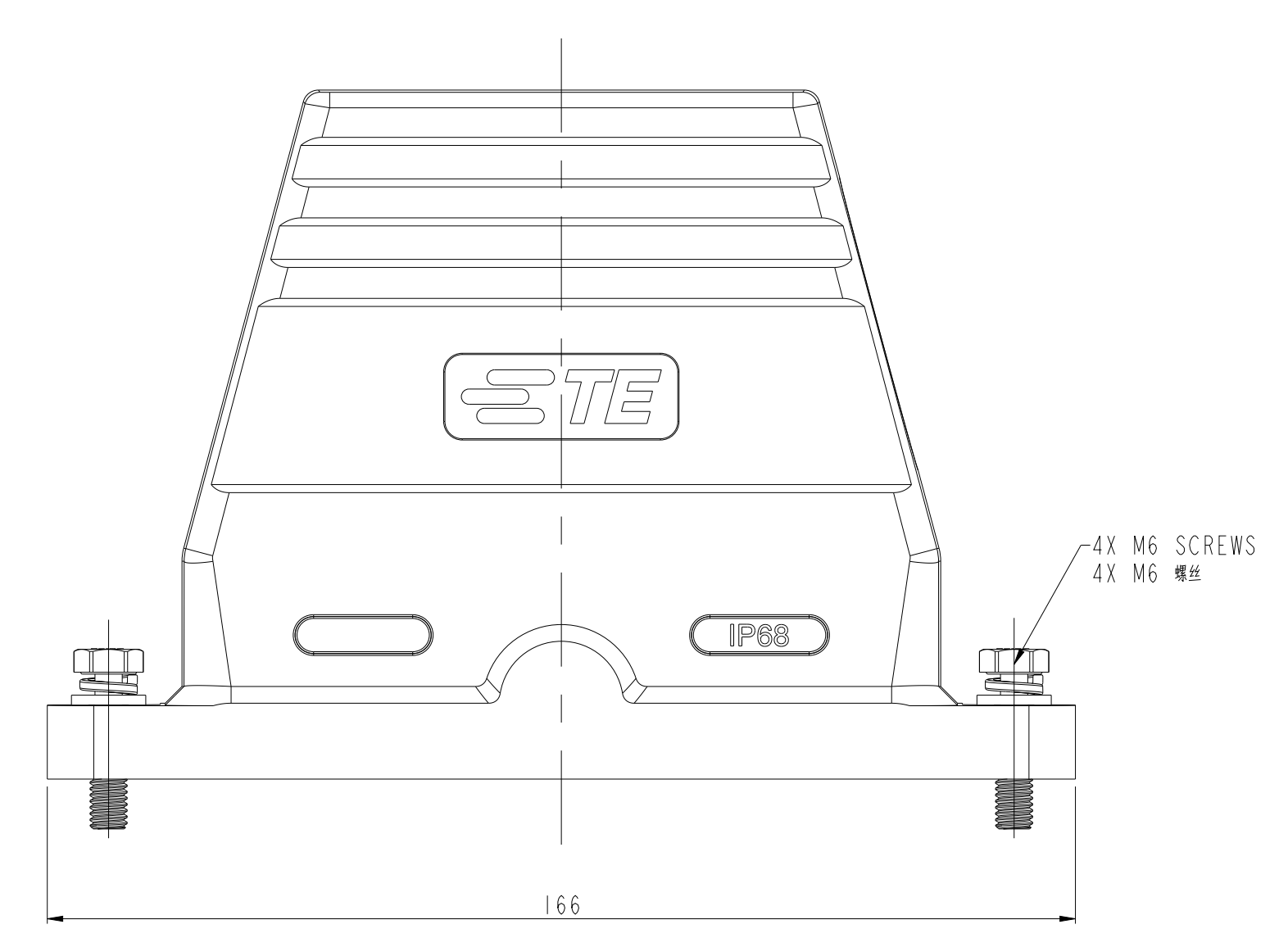


TYPE-1: STANDARD TOP ENTRY
 AM-1: 00000



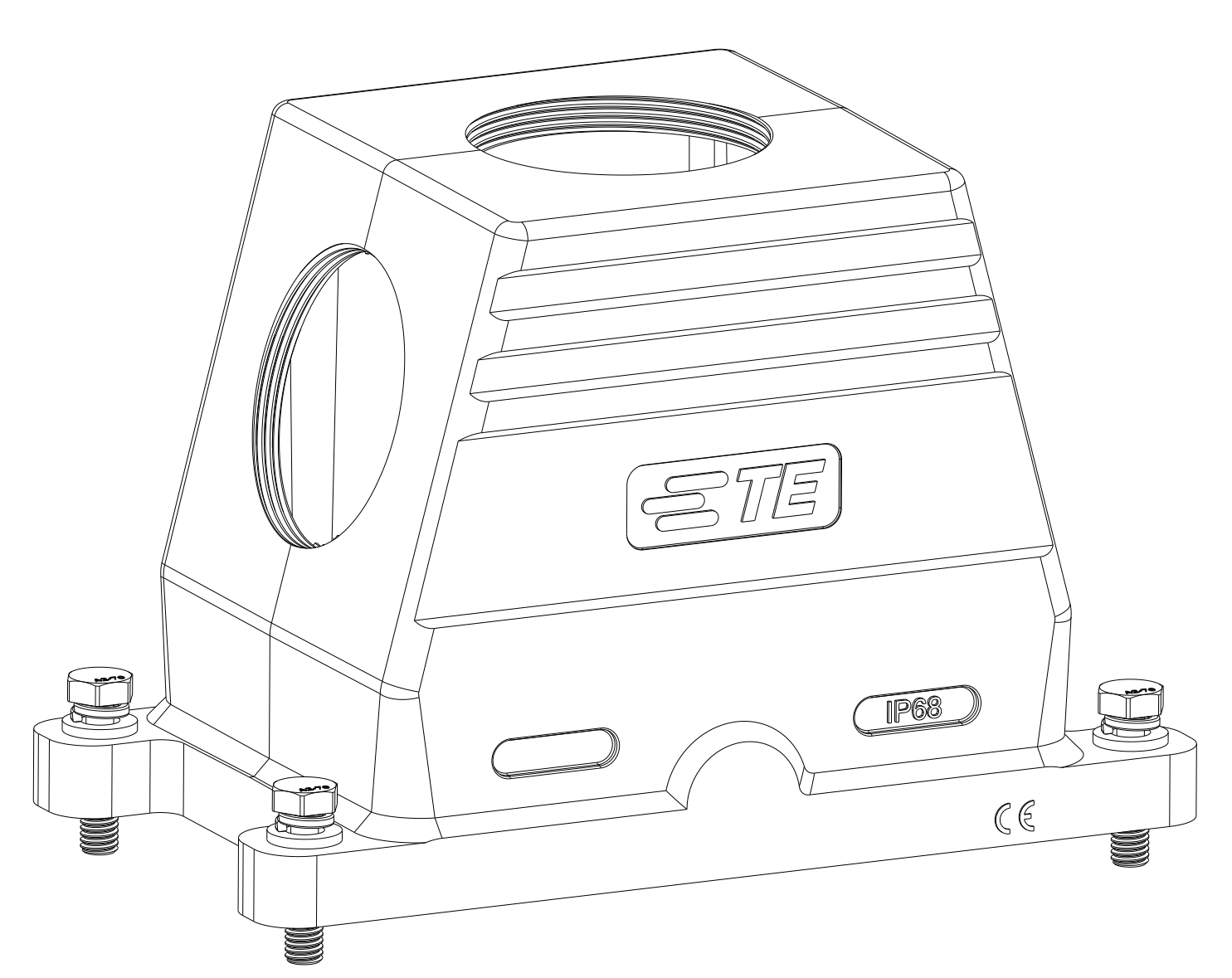
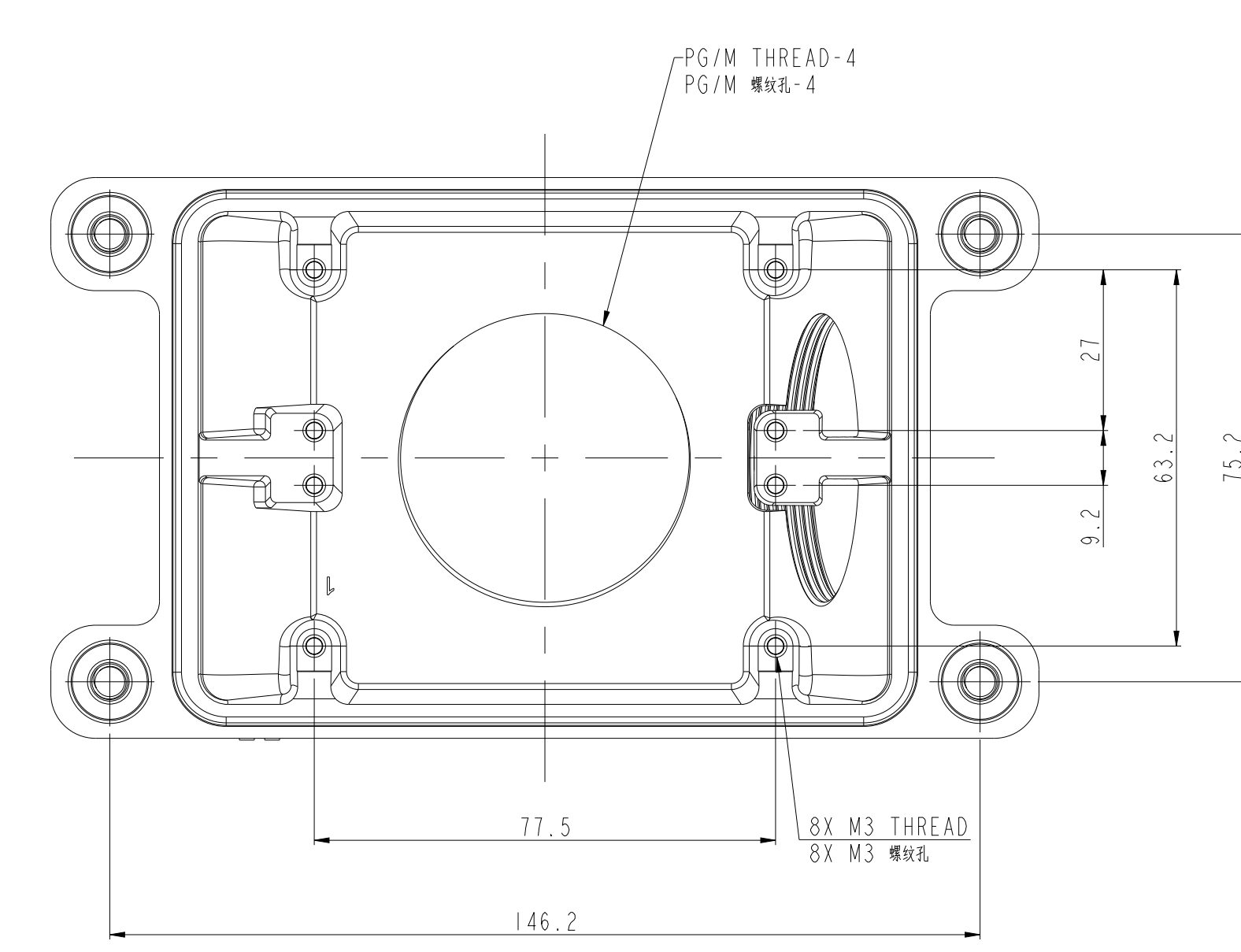
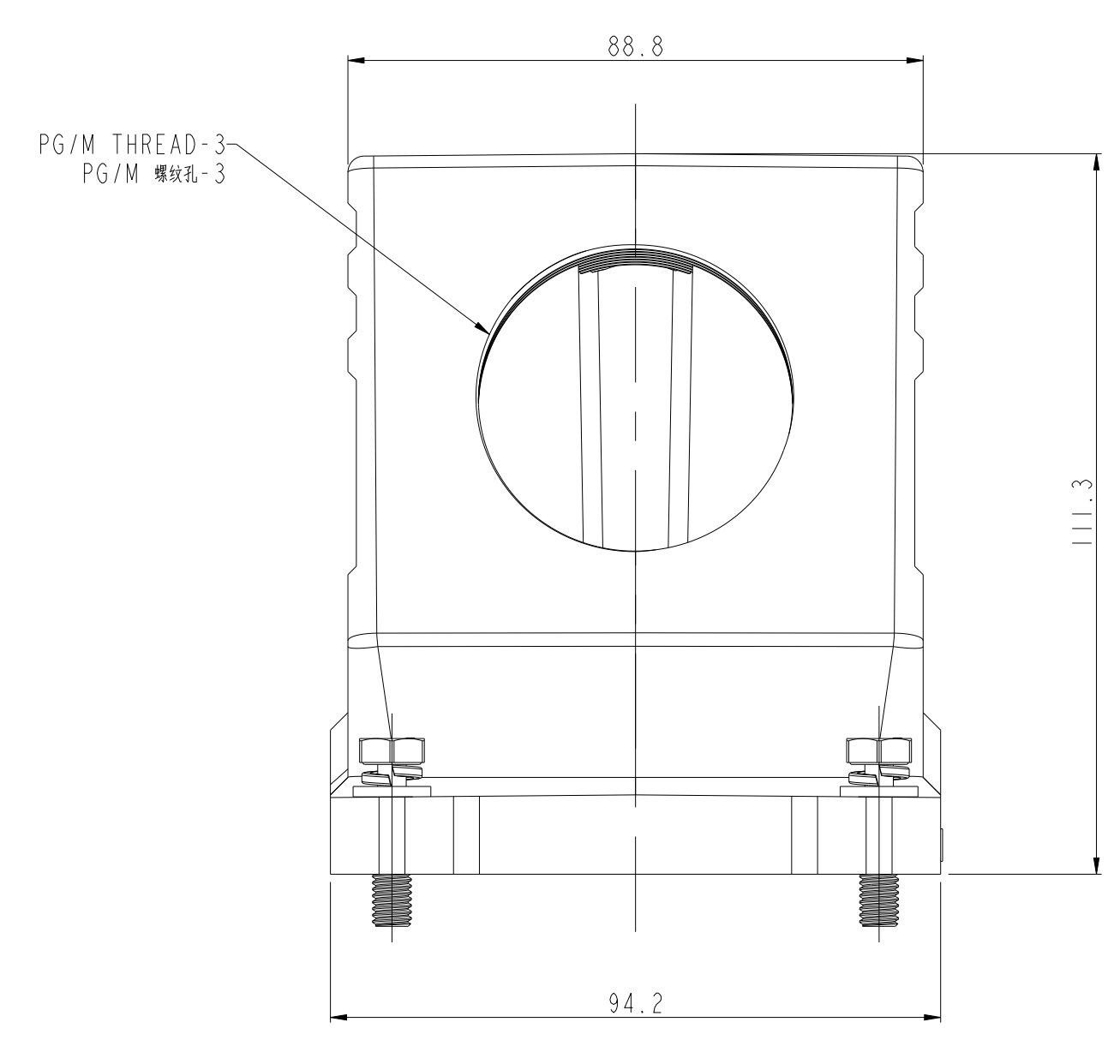
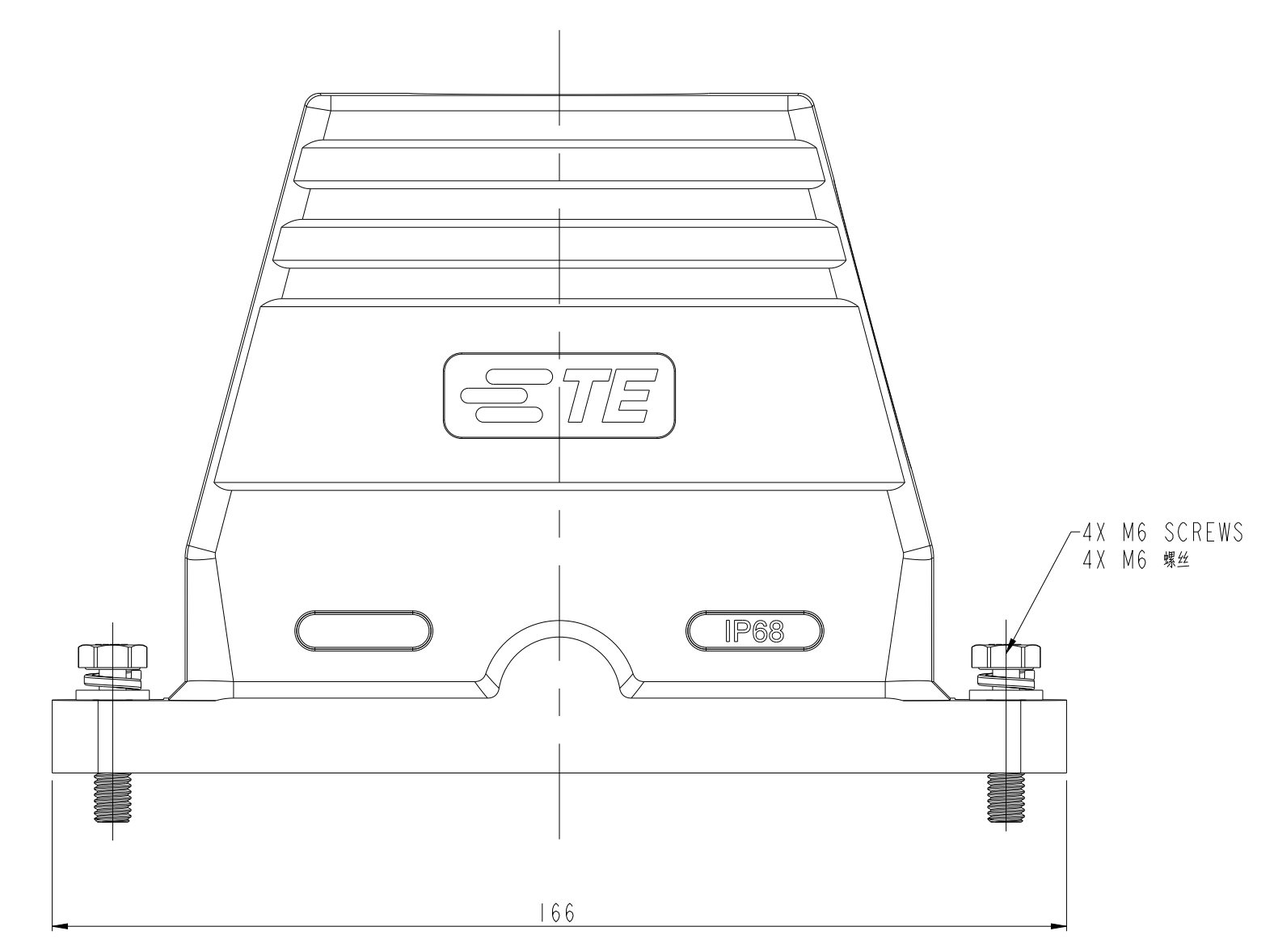
TYPE-2: STANDARD SIDE ENTRY
 AM-2: 00000



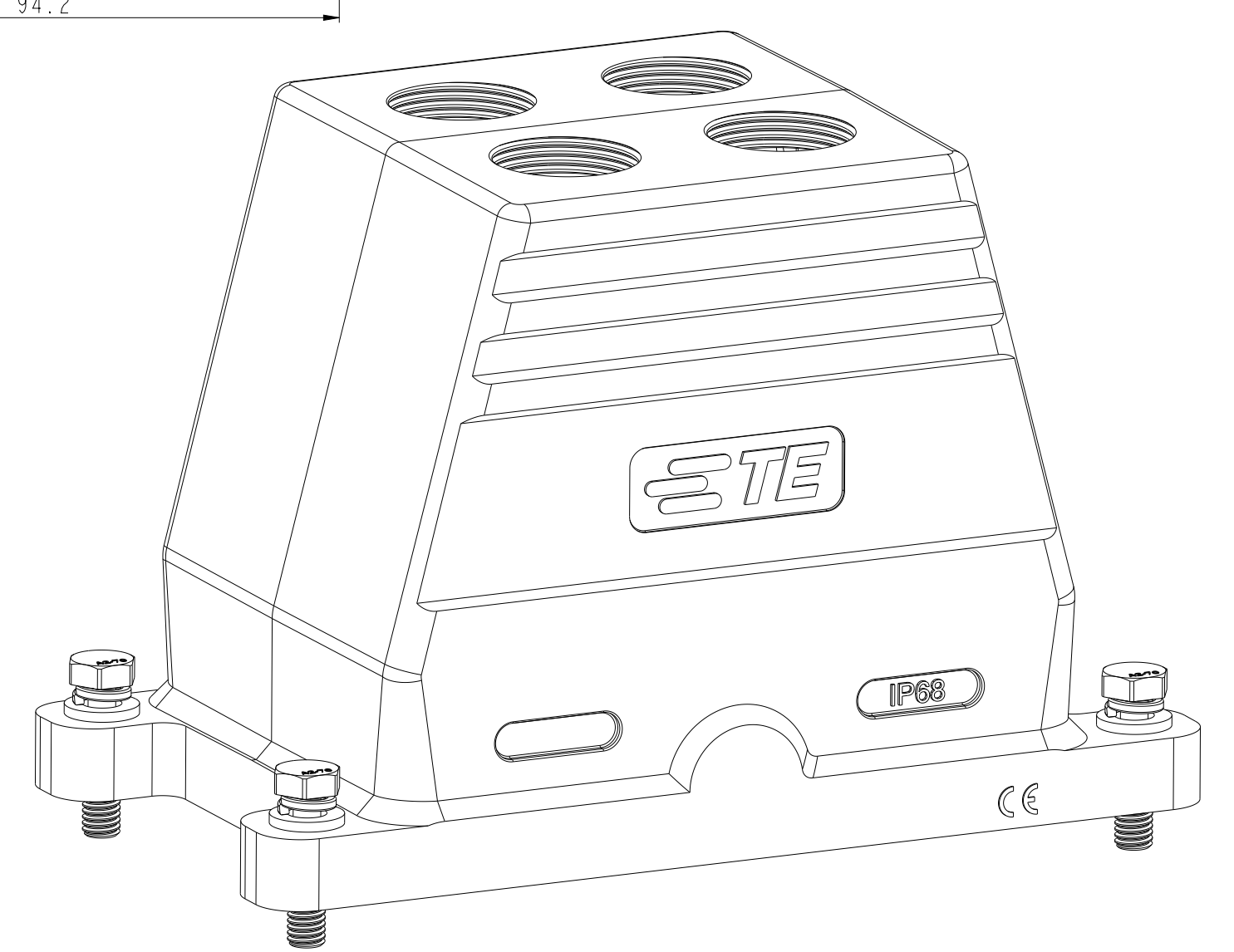
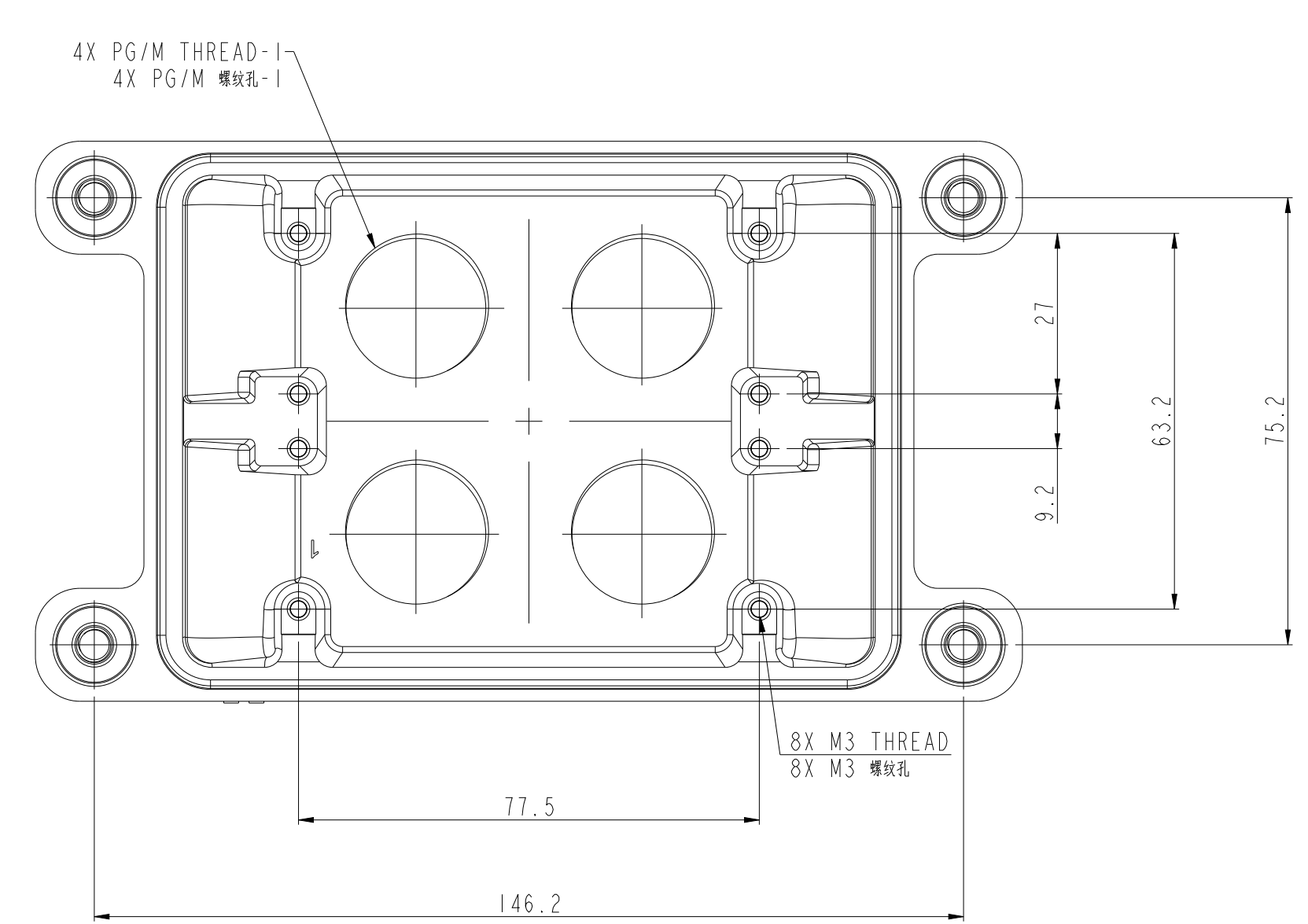
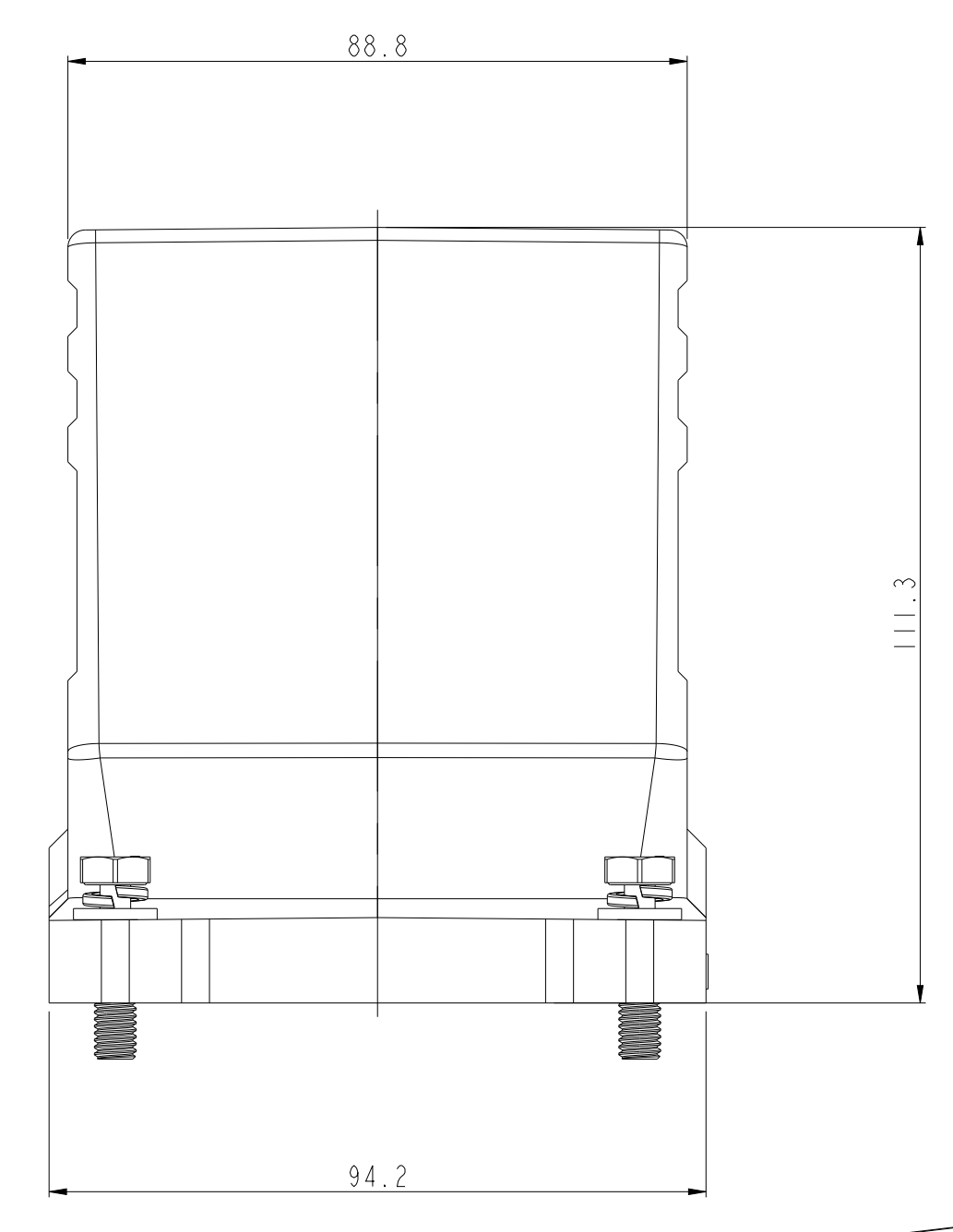
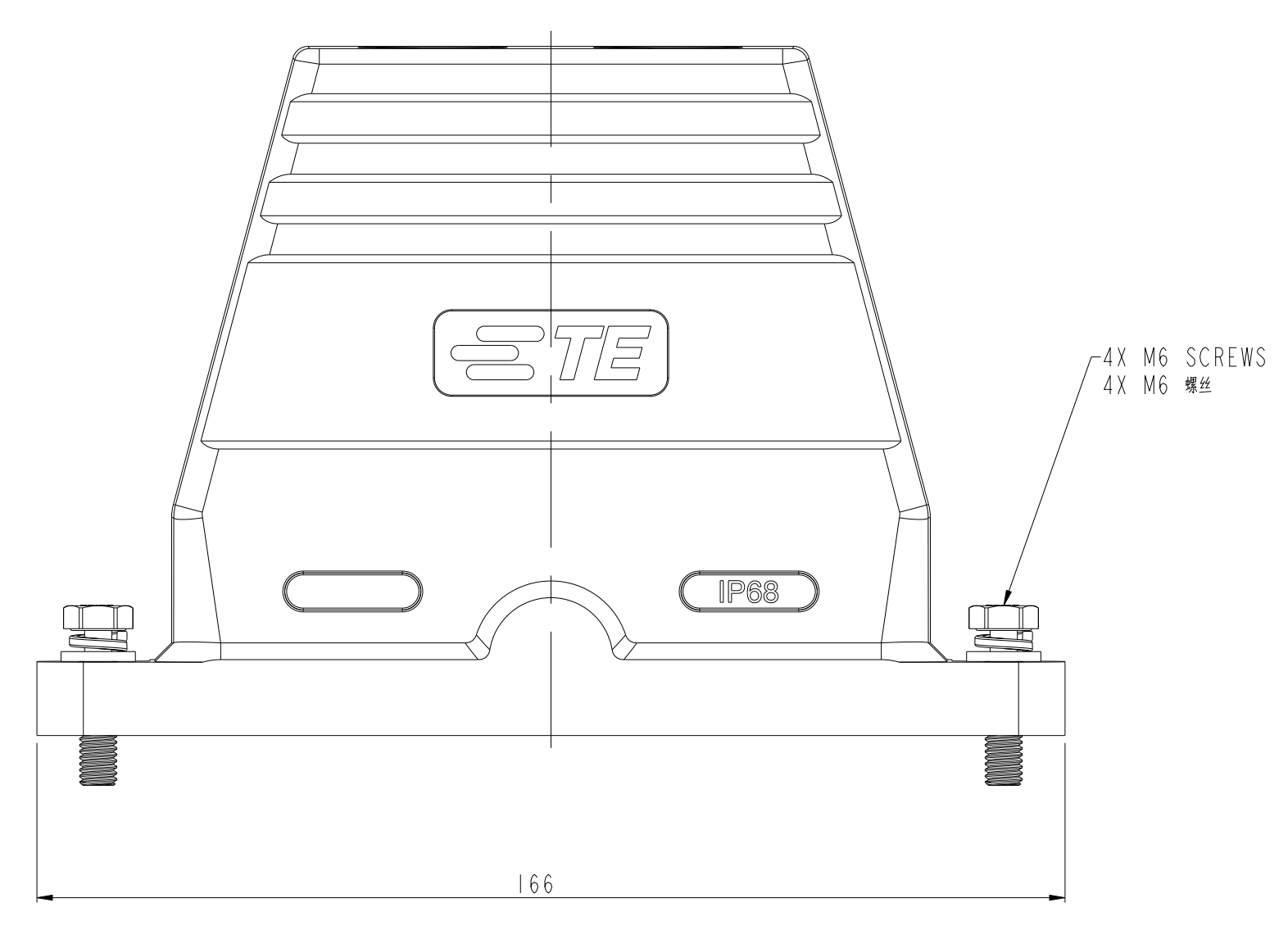
REVISIONS				
REV	DATE	BY	APPD	DESCRIPTION
A	26JUL2016	QY	CW	INITIAL
A1	15OCT2016	QY	CW	ECR-16-014639
A2	19MAR2019	CD	CW	ECR-19-003922
B	20MAY2021	BS	CW	ECR-20-015187

NOTES:
 1. TECHNICAL CHARACTERISTICS:
 HOOD MATERIAL: DIE CAST ALUMINIUM ALLOY
 SURFACE: POWDER COATED
 DEGREE OF PROTECTION: IP68 (MATED)
 DIM:
 1. DIM: 000
 2. DIM: 000
 3. DIM: 000

TYPE-3: STANDARD SIDE AND TOP ENTRY
 AM-3: 00000



TYPE-4: TOP ENTRY (FOUR HOLES)
 AM-4: 00 (40)



THIS DRAWING IS A CONTROLLED DOCUMENT.		DATE: 28JUL2016	BY: QIANG, YIANG	APPD: 28JUL2016	NAME: H32BPR-TGH-4S-PG/M
DIMENSIONS: (mm)		DATE: 28JUL2016	BY: XUE, ZIANG	APPD: 28JUL2016	NAME: H32BPR-TGH-4S-PG/M
DRAWING: (mm)		DATE: 28JUL2016	BY: CHRIS, WANG	APPD: 28JUL2016	NAME: H32BPR-TGH-4S-PG/M
MATERIAL: -		DATE: 28JUL2016	BY: -	APPD: -	NAME: H32BPR-TGH-4S-PG/M
FINISH: -		DATE: 28JUL2016	BY: -	APPD: -	NAME: H32BPR-TGH-4S-PG/M
CUSTOMER DRAWING		DATE: 28JUL2016	BY: -	APPD: -	NAME: H32BPR-TGH-4S-PG/M

