

THIS DRAWING IS UNPUBLISHED.

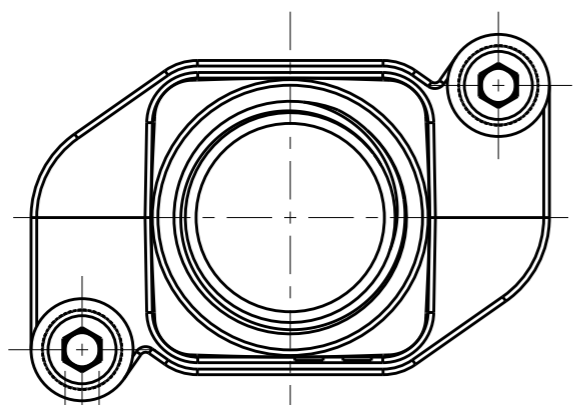
RELEASED FOR PUBLICATION

20

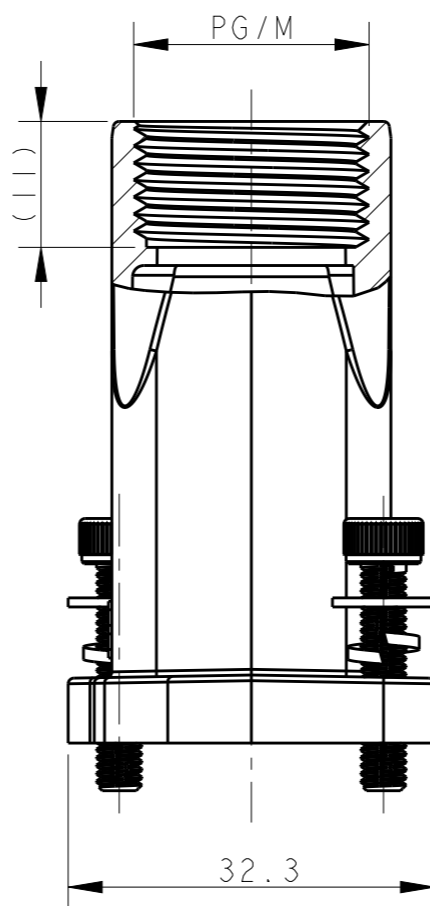
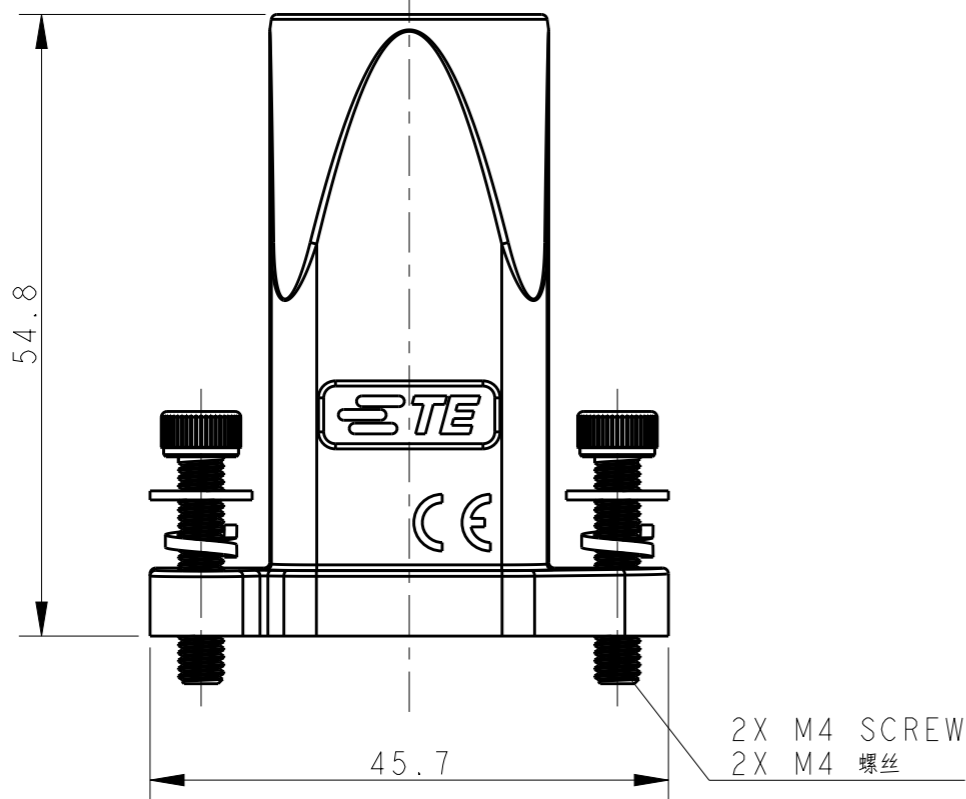
© COPYRIGHT 20 BY - ALL RIGHTS RESERVED.

REVISIONS

P	LTR	DESCRIPTION	DATE	DWN	APVD
	A	INITIAL RELEASE	27SEP2016	DW	CW
	B	ECR-17-011260	03AUG2017	DW	CW
	C	ECR-20-007462	09JUL2020	BS	CW



SW3

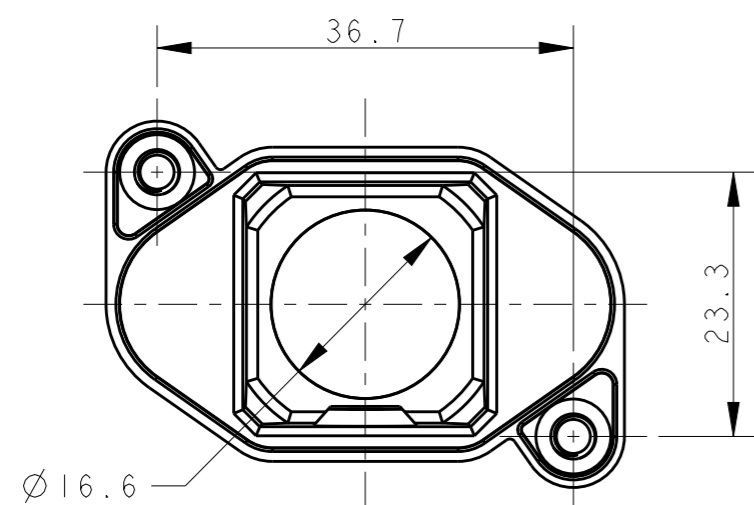
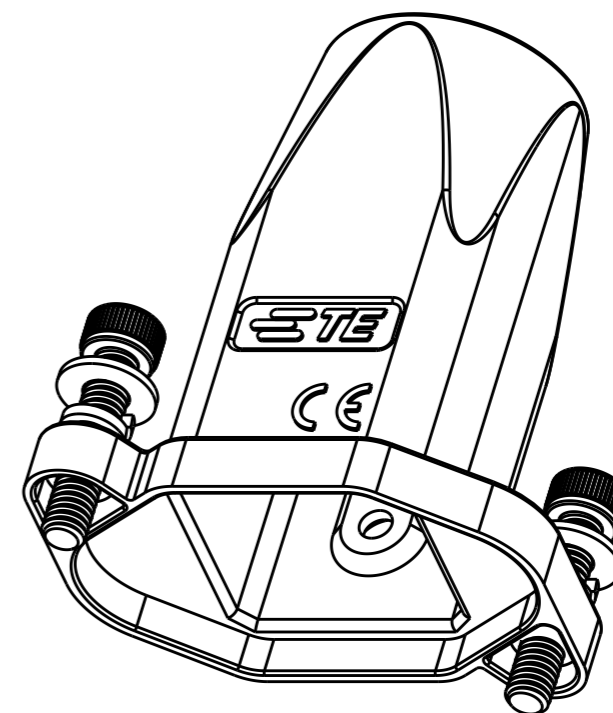



NOTES:

- 1. TECHNICAL CHARACTERISTICS:
HOOD MATERIAL: DIE CAST ZINC ALLOY
SURFACE: SEE TABLE
DEGREE OF PROTECTION: IP68 (MATED)

注释:

- 1. 技术参数:
壳体材料: 锌合金
表面处理: 见表格
防护等级: IP68(配合)



THIS DRAWING IS A CONTROLLED DOCUMENT.		DWN 27SEP2016 DAVID WANG	 TE Connectivity	
DIMENSIONS: mm		CHK 27SEP2016 CHRIS WANG		
TOLERANCES UNLESS OTHERWISE SPECIFIED:		APVD 27SEP2016 XIANG XU	NAME H3APR-MTGSW-PG/M-EMC-C	
0 PLC ±-		PRODUCT SPEC 108-137187	RESTRICTED TO	
1 PLC ±-		APPLICATION SPEC 114-137187	SIZE A3	CAGE CODE -
2 PLC ±-		WEIGHT -	DRAWING NO C-T192703XXXX009	SCALE 3:2
3 PLC ±-		CUSTOMER DRAWING	SHEET 1 OF 2	REV C
4 PLC ±-				
ANGLES ±-				
FINISH -				
MATERIAL -				

THIS DRAWING IS UNPUBLISHED.

RELEASED FOR PUBLICATION

20

© COPYRIGHT 20 BY -

ALL RIGHTS RESERVED.

REVISIONS

P	LTR	DESCRIPTION	DATE	DWN	APVD
-		SEE SHEET 1	-	-	-

NOTES:

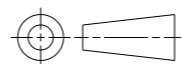
SEE SHEET 1

	T1927032120-009	H3APR-MTGSW-M20-EMC-C	H3APR HOOD, DIAGONAL INNER-HEX SCREW LOCKING, TOP ENTRY M20 POWDER COATED, GREY H3APR 内六角螺丝对角锁定顶出上壳M20 灰色	M20
OBSOLETE	T1927032116-009	H3APR-MTGSW-PG16-EMC-C	H3APR HOOD, DIAGONAL INNER-HEX SCREW LOCKING, TOP ENTRY PG16 POWDER COATED, GREY H3APR 内六角螺丝对角锁定顶出上壳PG16 灰色	PG16
	T1927032113-009	H3APR-MTGSW-PG13.5-EMC-C	H3APR HOOD, DIAGONAL INNER-HEX SCREW LOCKING, TOP ENTRY PG13.5 POWDER COATED, GREY H3APR 内六角螺丝对角锁定顶出上壳PG13.5 灰色	PG13.5
	T1927031120-009	H3APR-MTGSW-M20-EMC-C	H3APR HOOD, DIAGONAL INNER-HEX SCREW LOCKING, TOP ENTRY M20 POWDER COATED SILVER WHITE H3APR 内六角螺丝对角锁定顶出上壳M20 银白色	M20
OBSOLETE	T1927031116-009	H3APR-MTGSW-PG16-EMC-C	H3APR HOOD, DIAGONAL INNER-HEX SCREW LOCKING, TOP ENTRY PG16 POWDER COATED SILVER WHITE H3APR 内六角螺丝对角锁定顶出上壳PG16 银白色	PG16
	T1927031113-009	H3APR-MTGSW-PG13.5-EMC-C	H3APR HOOD, DIAGONAL INNER-HEX SCREW LOCKING, TOP ENTRY PG13.5 POWDER COATED SILVER WHITE H3APR 内六角螺丝对角锁定顶出上壳PG13.5 银白色	PG13.5
	T1927030120-009	H3APR-MTGSW-M20-EMC-C	H3APR HOOD, DIAGONAL INNER-HEX SCREW LOCKING, TOP ENTRY M20 POWDER COATED, BLACK H3APR 内六角螺丝对角锁定顶出上壳M20 黑色	M20
OBSOLETE	T1927030116-009	H3APR-MTGSW-PG16-EMC-C	H3APR HOOD, DIAGONAL INNER-HEX SCREW LOCKING, TOP ENTRY PG16 POWDER COATED, BLACK H3APR 内六角螺丝对角锁定顶出上壳PG16 黑色	PG16
	T1927030113-009	H3APR-MTGSW-PG13.5-EMC-C	H3APR HOOD, DIAGONAL INNER-HEX SCREW LOCKING, TOP ENTRY PG13.5 POWDER COATED, BLACK H3APR 内六角螺丝对角锁定顶出上壳PG13.5 黑色	PG13.5
	PART NUMBER 料号	PART DESCRIPTION 描述		PG/M THREAD PG/M 螺纹

THIS DRAWING IS A CONTROLLED DOCUMENT.

DIMENSIONS:

mm



TOLERANCES UNLESS OTHERWISE SPECIFIED:

0 PLC	±-
1 PLC	±-
2 PLC	±-
3 PLC	±-
4 PLC	±-
ANGLES	±-

MATERIAL

-

FINISH

-

DWN 27SEP2016

DAVID WANG

CHK 27SEP2016

CHRIS WANG

APVD 27SEP2016

XIANG XU

PRODUCT SPEC

108-137187

APPLICATION SPEC

114-137187

WEIGHT

-

CUSTOMER DRAWING



TE Connectivity

NAME

H3APR-MTGSW-PG/M-EMC-C

SIZE

A3

CAGE CODE

-

DRAWING NO

©-T192703XXXX009

RESTRICTED TO

SCALE 3:2

SHEET 2 OF 2

REV C