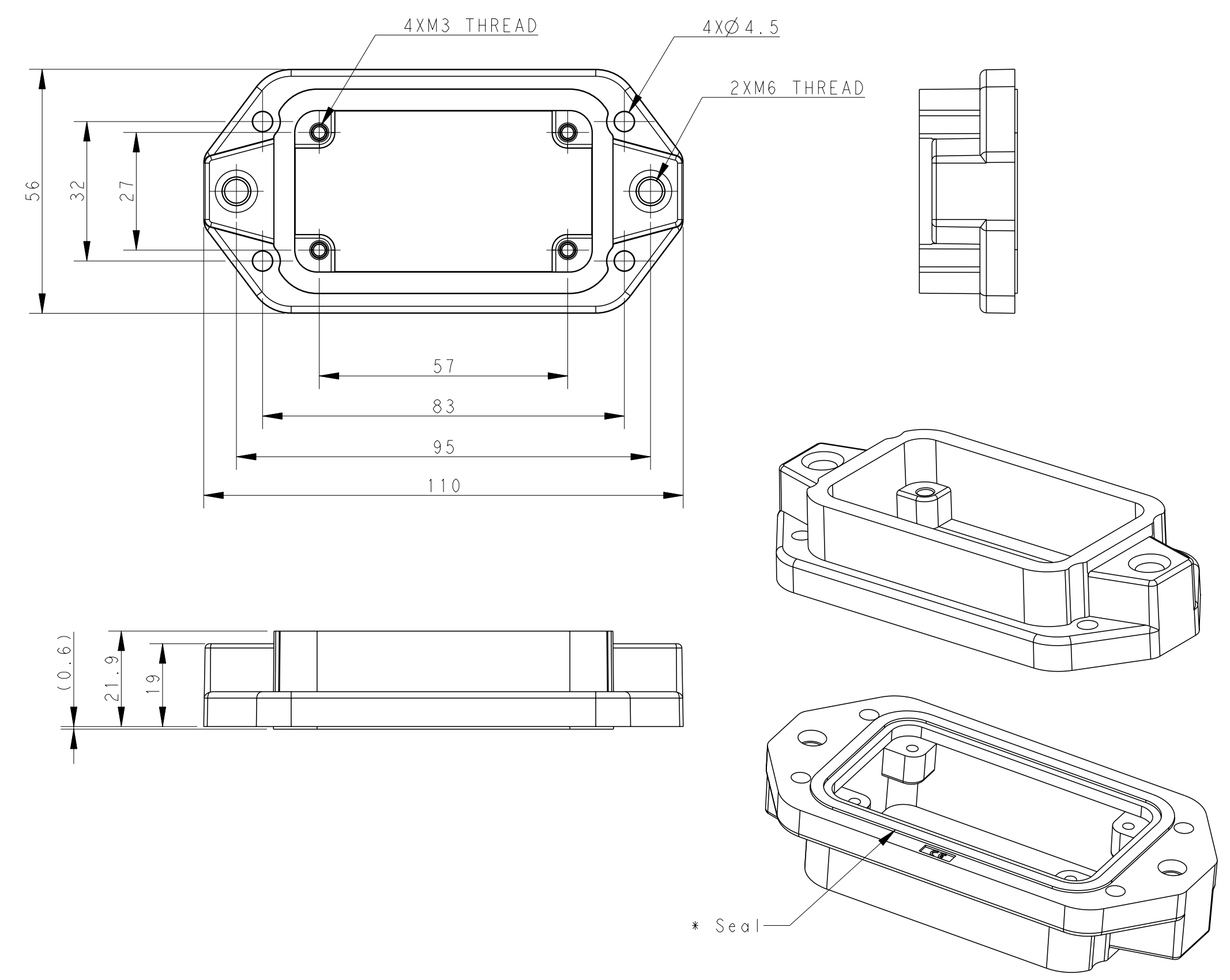


THIS DRAWING IS UNPUBLISHED. RELEASED FOR PUBLICATION 20
 © COPYRIGHT 20 BY - ALL RIGHTS RESERVED.

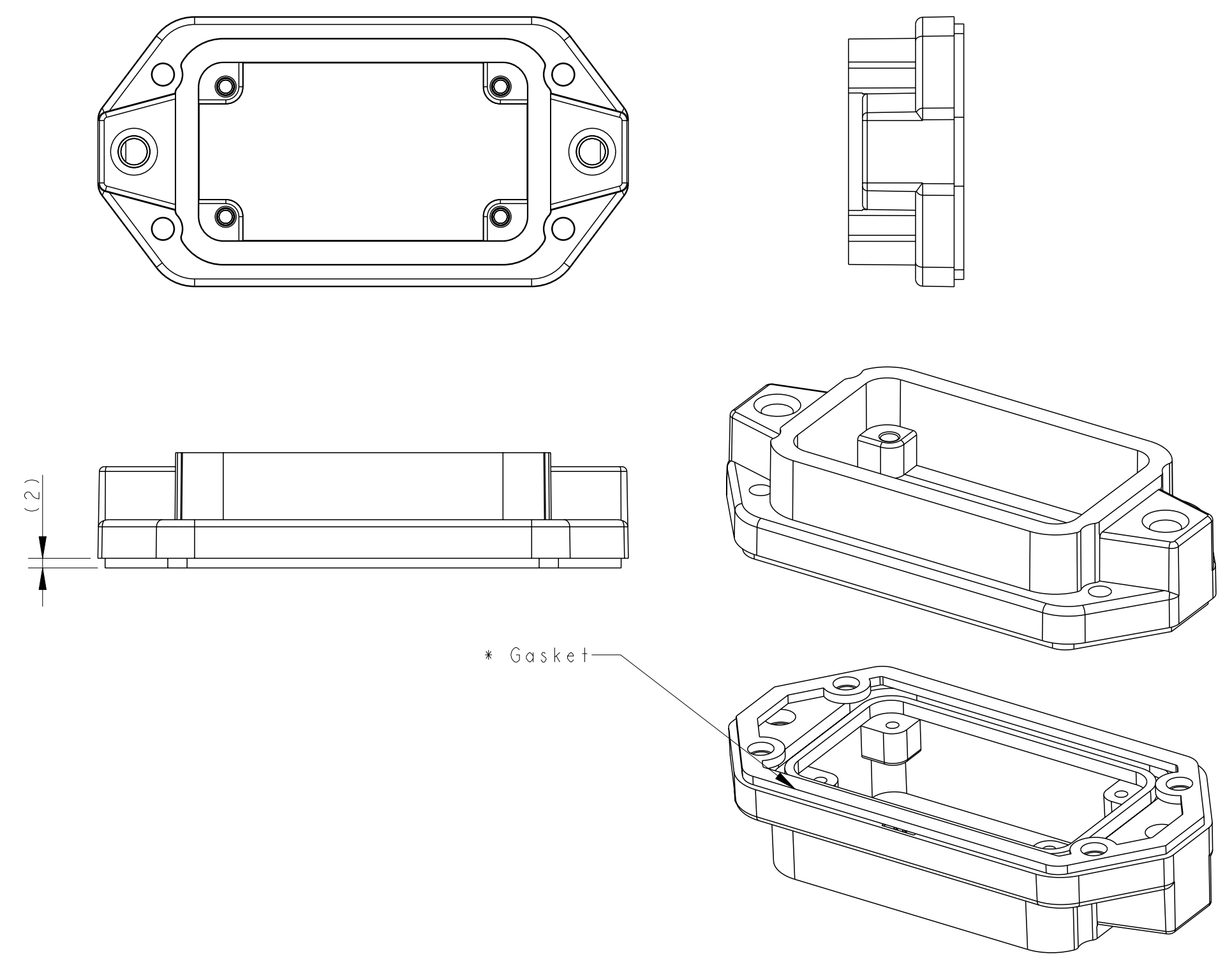
TYPE 1
 类型 1

Housing assemble with seal
 带密封圈下壳



TYPE 2
 类型 2

Housing assemble with gasket
 带密封垫下壳

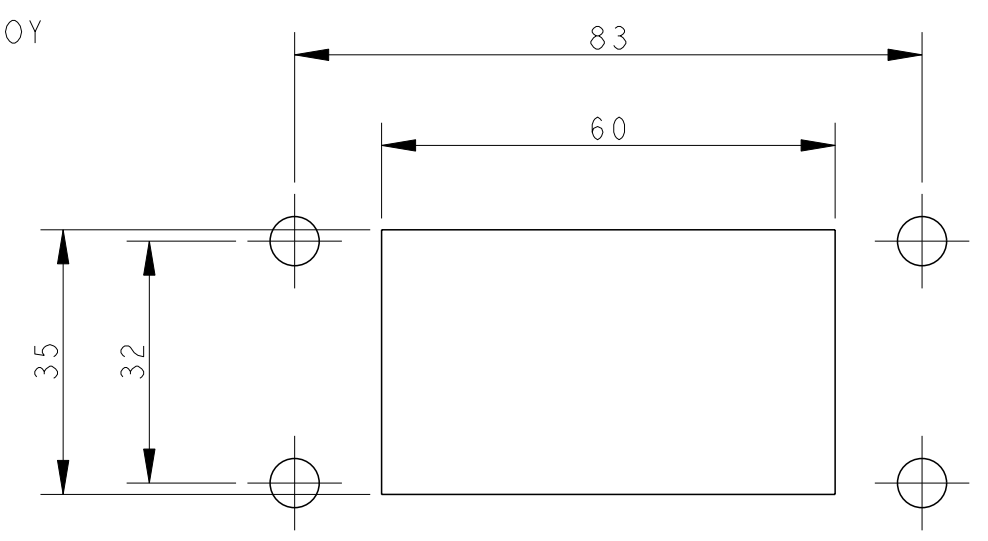


REVISIONS					
P	LTR	DESCRIPTION	DATE	DWN	APVD
A		INITIAL RELEASE	10JUN2015	GY	CW
A1		ECR-18-009564	22SEP2018	CD	CW
B		ECR-20-012069	08MAY2021	BS	CW

All dimension is same as TYPE 1, except those defined in this TYPE
 除了在本类型中定义的尺寸外, 其他尺寸同类型 1

NOTES:
 1. TECHNICAL CHARACTERISTICS:
 HOUSING MATERIAL: DIE CAST ALUMINIUM ALLOY
 SURFACE TREATMENT: SEE TABLE
 DEGREE OF PROTECTION: IP68 (MATED)

注释
 1. 技术参数:
 壳体材料: 铝合金
 表面处理: 见表格
 防护等级: IP68 (配合)



Panel Cut Out

PART NUMBER 料号	SURFACE TREATMENT 表面处理	PART DESCRIPTION 描述	TYPE 类型
T1932101001-000	POWDER COATED, SILVER WHITE 表面喷涂, 银白色	H10BPR-AGC H10BPR HOUSING, CENTER LOCKING, BULKHEAD MOUNTED, POWDER COATED, SILVER WHITE, SEAL FIXED BY GLUE H10BPR下壳, 中锁锁定, 开孔安装, 银白色粉末喷涂, 密封胶	TYPE 2 类型 2
T1932102000-100	POWDER COATED, DEEP GREY 表面喷涂, 深灰色	H10BPR-AGC H10BPR HOUSING, CENTER LOCKING, BULKHEAD MOUNTED, POWDER COATED, DEEP GREY H10BPR下壳, 中锁锁定, 开孔安装, 深灰色粉末喷涂	TYPE 1 类型 1
T1932102000-000	POWDER COATED, GREY 表面喷涂, 灰色	H10BPR-AGC H10BPR HOUSING, CENTER LOCKING, BULKHEAD MOUNTED, POWDER COATED, GREY H10BPR下壳, 中锁锁定, 开孔安装, 灰色粉末喷涂	
T1932101000-000	POWDER COATED, SILVER WHITE 表面喷涂, 银白色	H10BPR-AGC H10BPR HOUSING, CENTER LOCKING, BULKHEAD MOUNTED, POWDER COATED, SILVER WHITE H10BPR下壳, 中锁锁定, 开孔安装, 银白色粉末喷涂	TYPE 1 类型 1
T1932100000-000	POWDER COATED, BLACK 表面喷涂, 黑色	H10BPR-AGC H10BPR HOUSING, CENTER LOCKING, BULKHEAD MOUNTED, POWDER COATED, BLACK H10BPR下壳, 中锁锁定, 开孔安装, 黑色粉末喷涂	

THIS DRAWING IS A CONTROLLED DOCUMENT.

DIMENSIONS: mm	TOLERANCES UNLESS OTHERWISE SPECIFIED: 0 PLC ± 1 PLC ± 2 PLC ± 3 PLC ± 4 PLC ± ANGLES ± FINISH	DWN Gino Yao 10 JUN 2015 CHK Chris Wang 10 JUN 2015 APVD Xiang Xu 10 JUN 2015	NAME H10BPR-AGC
MATERIAL -		PRODUCT SPEC 108-137014 APPLICATION SPEC 114-137014 WEIGHT -	SIZE A2 CAGE CODE - DRAWING NO G-T193210XXXXX00 RESTRICTED TO -
Customer Drawing		SCALE 1:1	SHEET 1 OF 1 REV B

STE TE Connectivity

Printed on 10 May 2021 14:06 (China Standard Time) from IE236667