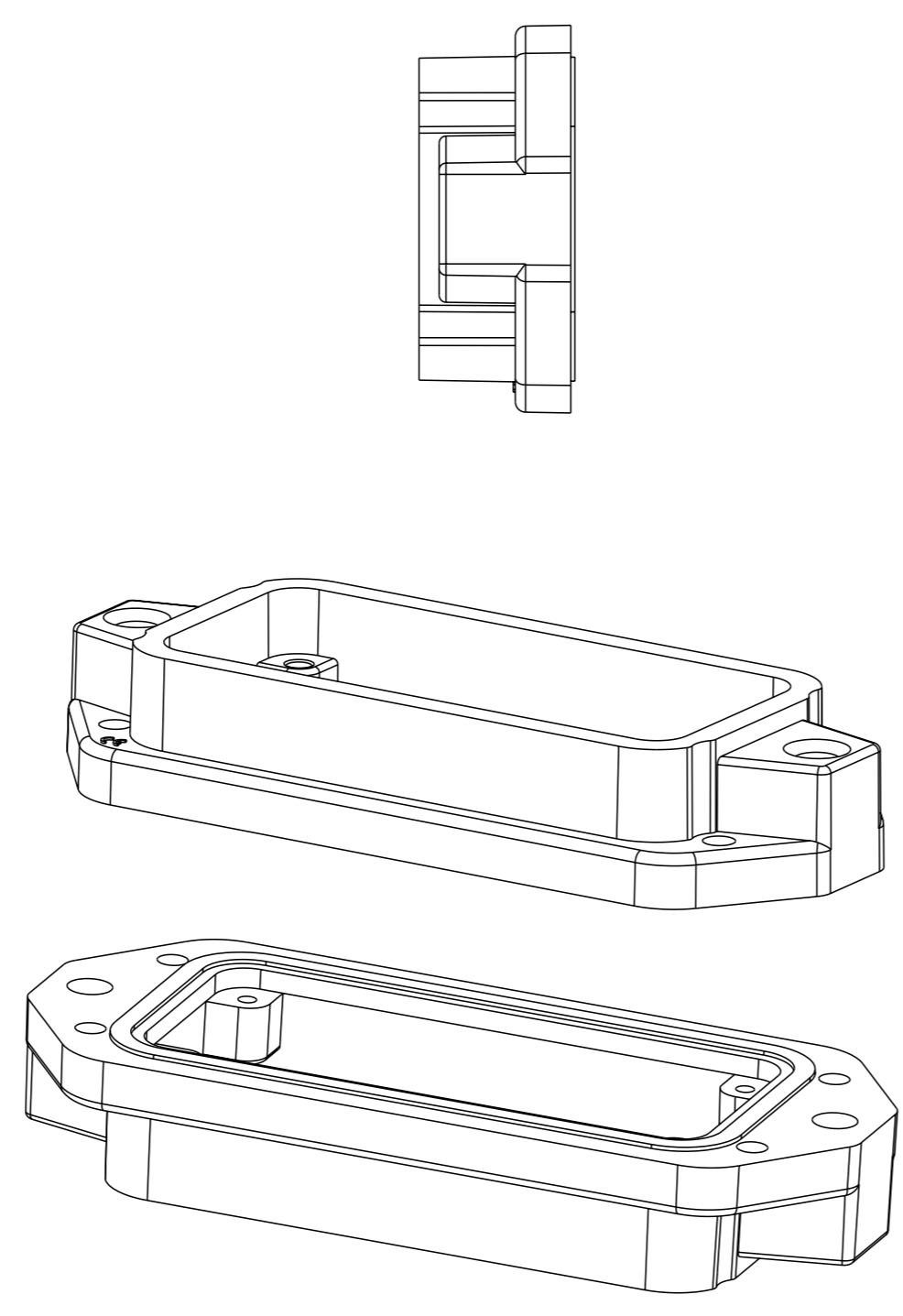
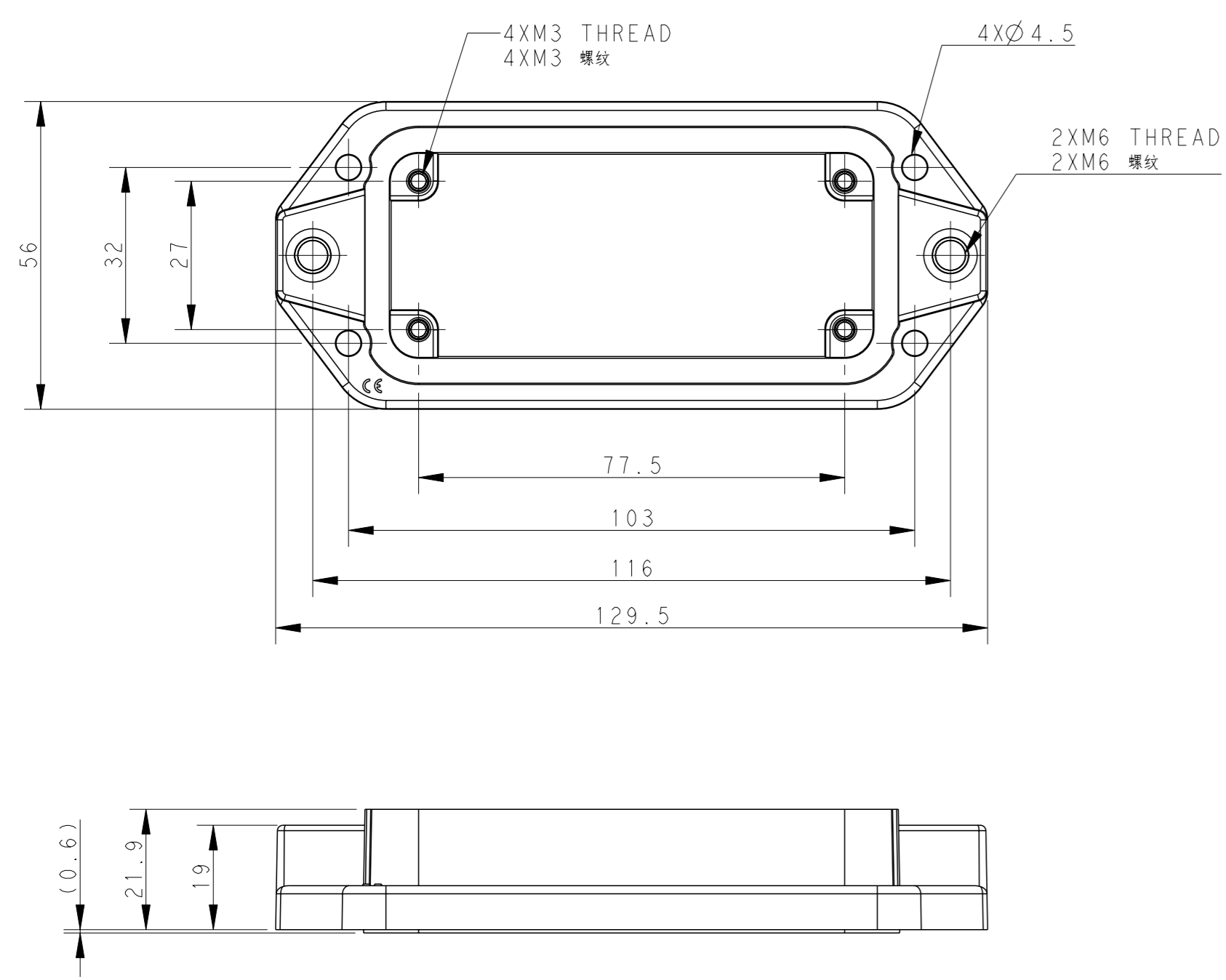


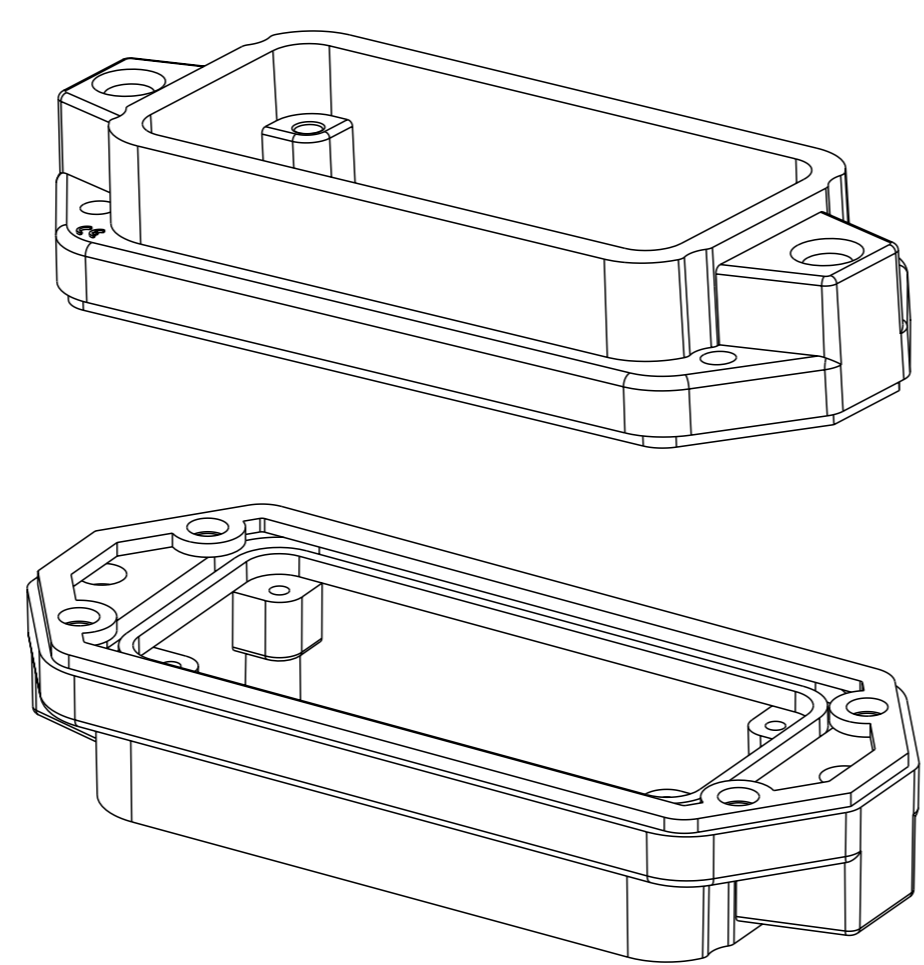
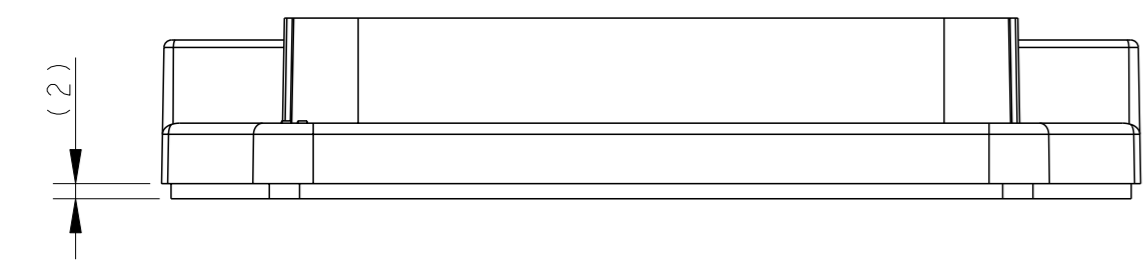
### TYPE 1 / 类型 1

Housing assemble with seal  
下壳带密封胶



### TYPE 2 / 类型 2

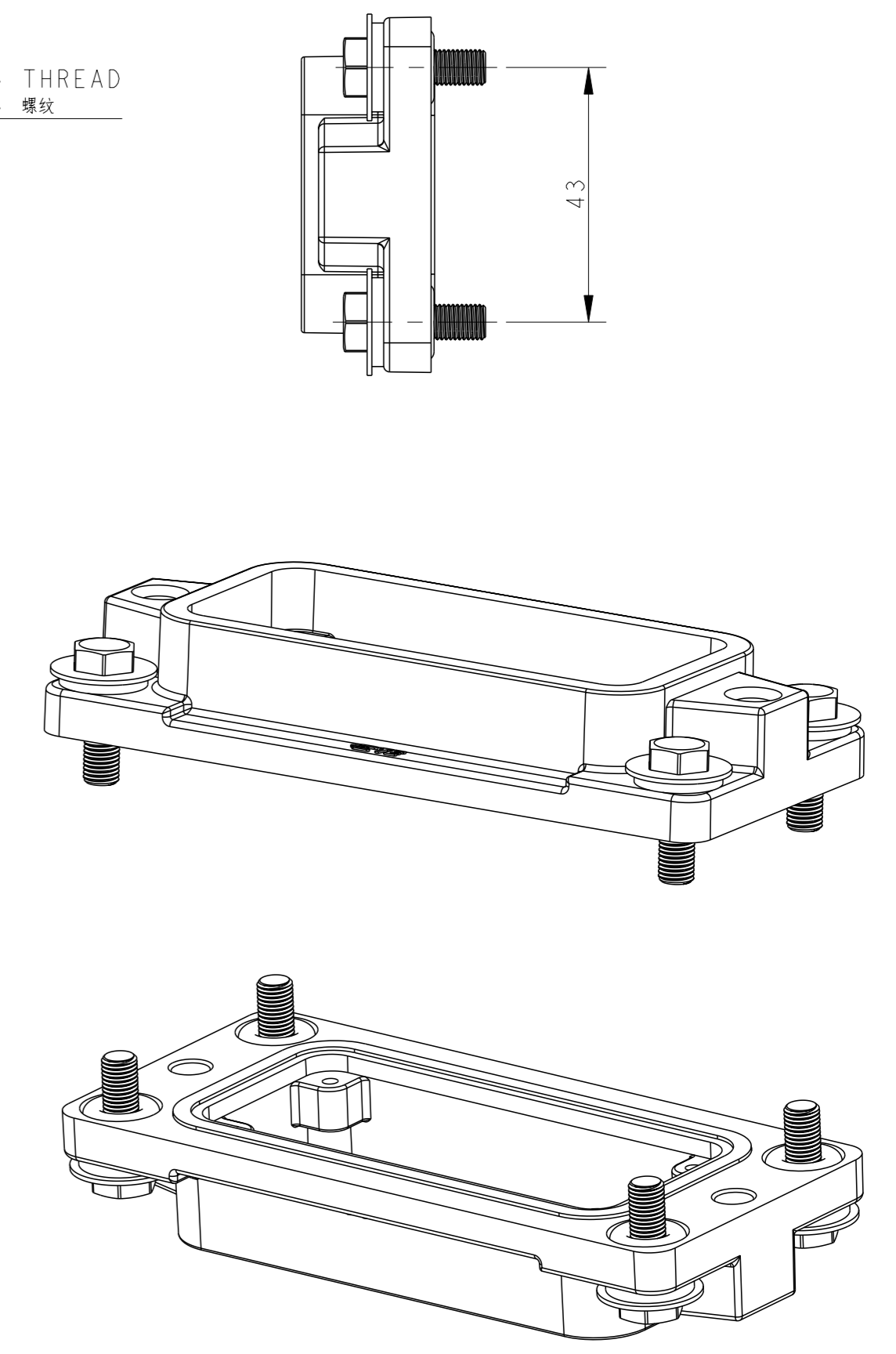
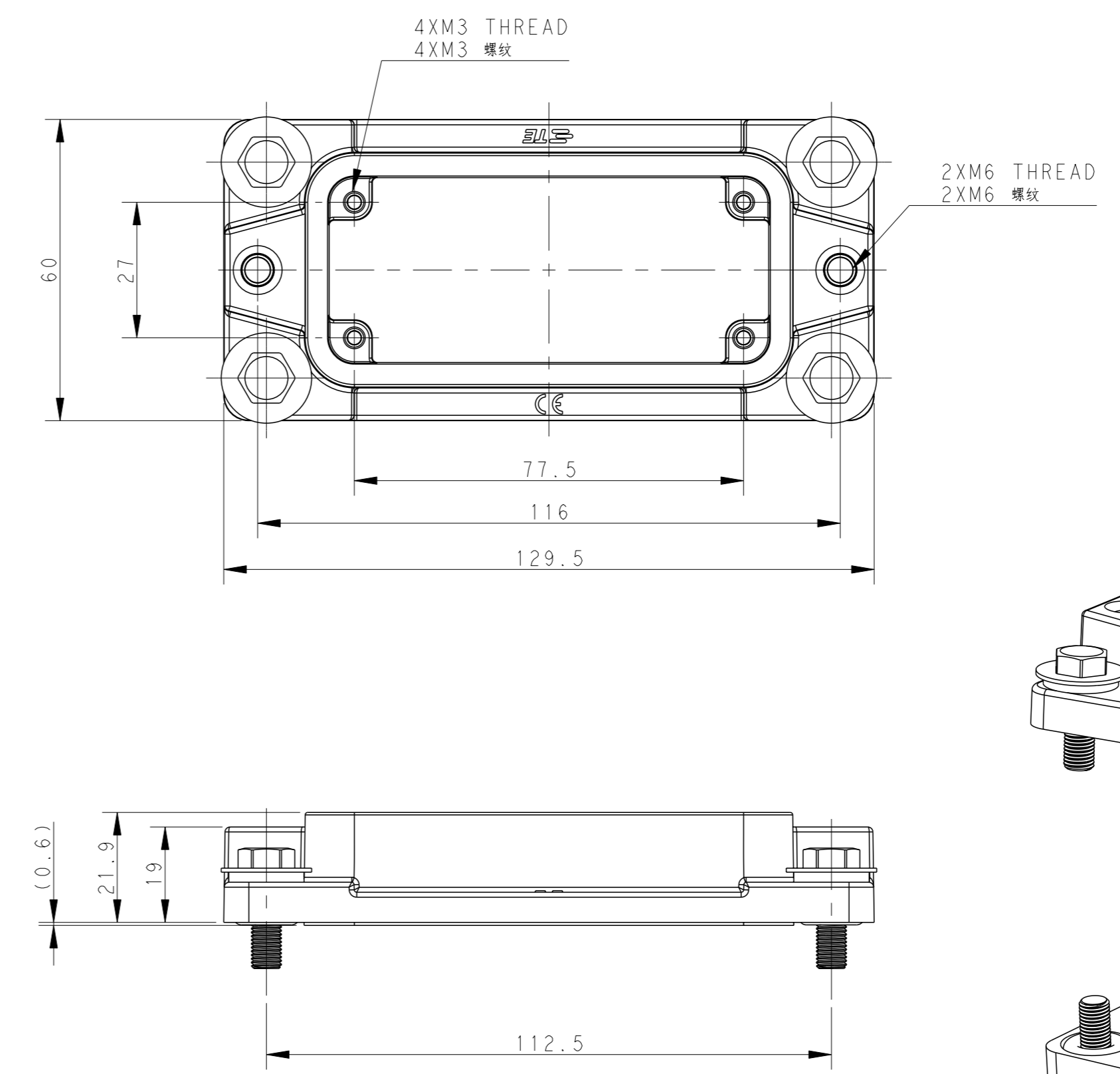
Housing assemble with gasket  
下壳带垫片



All dimension is same as TYPE 1, except those defined in this TYPE  
除了已定义的尺寸外, 其他尺寸参考类型 1

### TYPE 3 / 类型 3

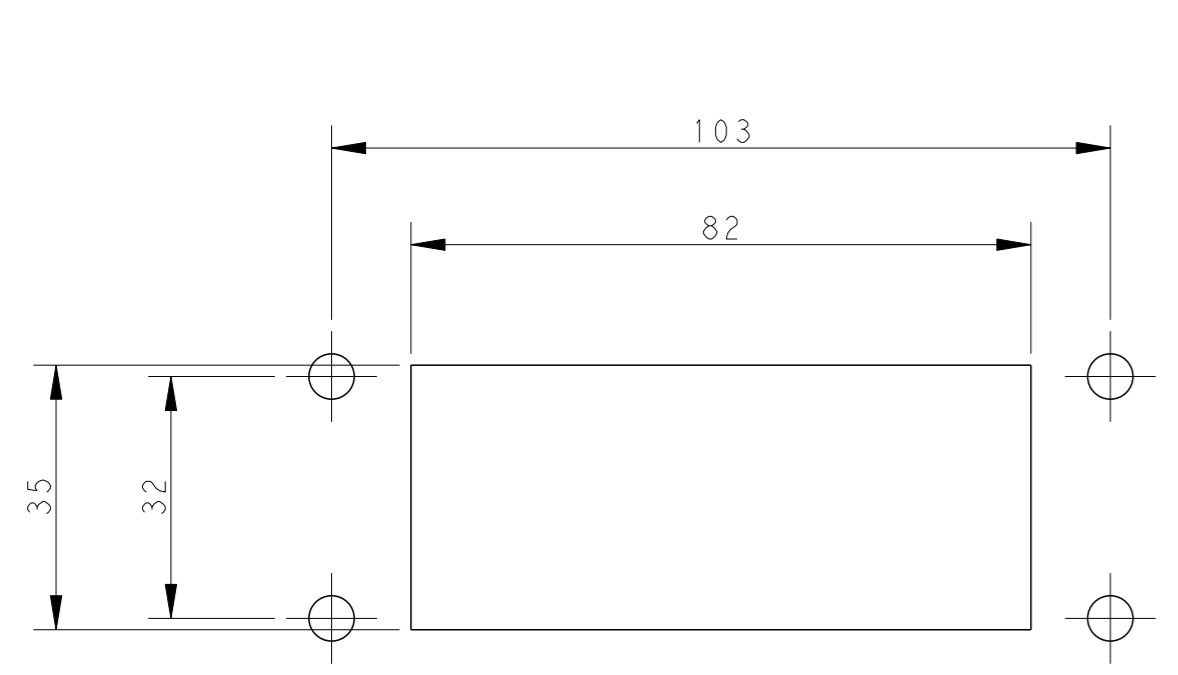
Surface mounting  
表面安装



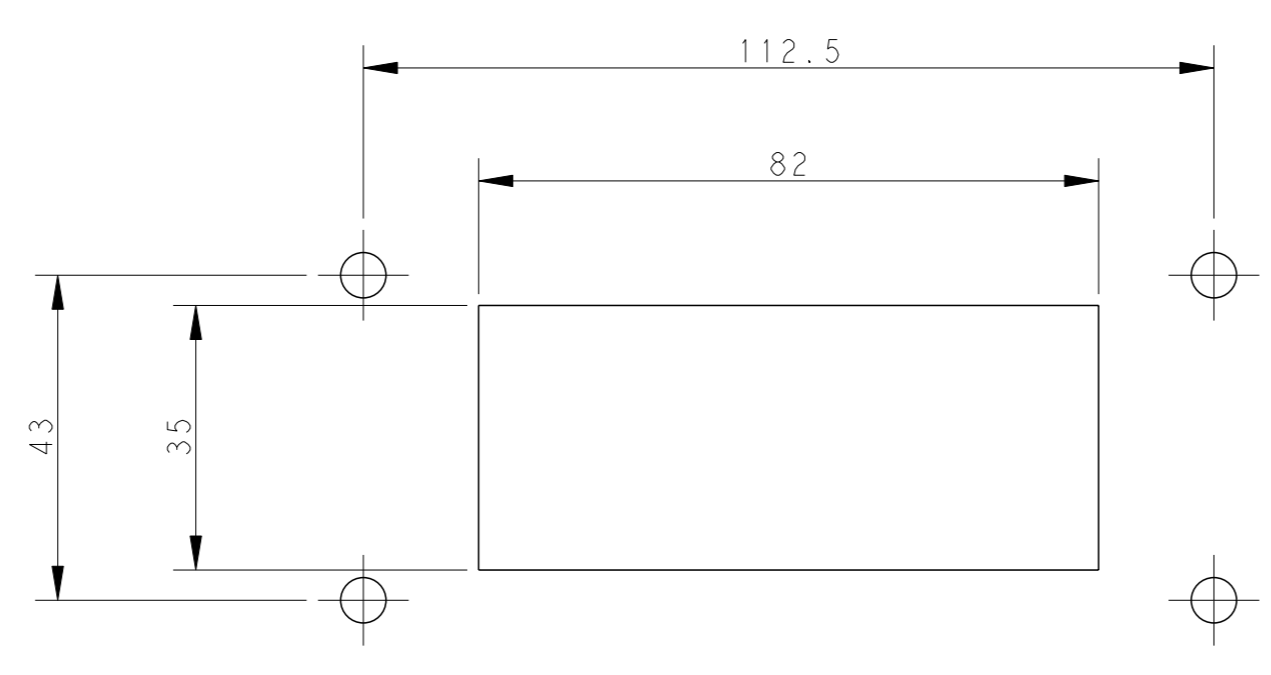
All dimension is same as TYPE 1, except those defined in this TYPE  
除了已定义的尺寸外, 其他尺寸参考类型 1

NOTES:  
1. TECHNICAL CHARACTERISTICS:  
HOUSING MATERIAL: DIE CAST ALUMINIUM ALLOY  
SURFACE TREATMENT: SEE TABLE  
DEGREE OF PROTECTION: IP68 (MATED)

注释:  
1. 技术参数:  
壳体材料: 铝合金  
表面处理: 见表格  
防护等级: IP68 (配合)



Panel Cut Out For TYPE 1&2



Panel Cut Out For TYPE 3

PART NUMBER 料号	SURFACE TREATMENT 表面处理	PART DESCRIPTION 描述	TYPE 类型
T1932160001-000	POWDER COATED, BLACK 表面喷涂, 黑色	H16BPR-AGCT H16BPR HOUSING, CENTER LOCKING, PANEL MOUNTED, POWDER COATED, BLACK H16BPR下壳, 中部锁定, 面板型开孔, 黑色粉末喷涂	TYPE 3
T1932161001-000	POWDER COATED, SILVER WHITE 表面喷涂, 银白色	H16BPR-AGC H16BPR HOUSING, CENTER LOCKING, BULKHEAD MOUNTED, POWDER COATED, SILVER WHITE, SEAL FIXED BY GLUE H16BPR下壳, 中部锁定, 开孔安装, 银白色粉末喷涂, 密封胶	TYPE 2
T1932162000-001	POWDER COATED, DEEP GRAY 表面喷涂, 深灰色	H16BPR-AGC H16BPR HOUSING, CENTER LOCKING, BULKHEAD MOUNTED, POWDER COATED, DEEP GREY H16BPR下壳, 中部锁定, 开孔安装, 深灰色粉末喷涂	TYPE 1
T1932162000-000	POWDER COATED, GRAY 表面喷涂, 灰色	H16BPR-AGC H16BPR HOUSING, CENTER LOCKING, BULKHEAD MOUNTED, POWDER COATED, GREY H16BPR下壳, 中部锁定, 开孔安装, 灰色粉末喷涂	
T1932161000-000	POWDER COATED, SILVER WHITE 表面喷涂, 银白色	H16BPR-AGC H16BPR HOUSING, CENTER LOCKING, BULKHEAD MOUNTED, POWDER COATED, SILVER WHITE H16BPR下壳, 中部锁定, 开孔安装, 银白色粉末喷涂	
T1932160000-000	POWDER COATED, BLACK 表面喷涂, 黑色	H16BPR-AGC H16BPR HOUSING, CENTER LOCKING, BULKHEAD MOUNTED, POWDER COATED, BLACK H16BPR下壳, 中部锁定, 开孔安装, 黑色粉末喷涂	TYPE 1

THIS DRAWING IS A CONTROLLED DOCUMENT.

OWNER: Gino Yao 14JUN2015  
CHK: Chris Wang 14JUN2015  
APVD: Xiang Xu 14JUN2015

NAME: H16BPR-AGC/AGCT

PRODUCT SPEC: 108-137014  
APPLICATION SPEC: 114-137014

SIZE: A1 CAGE CODE: - DRAWING NO: C-T193216XXXXX00 RESTRICTED TO: -  
SCALE: 1:1 SHEET 1 OF 1 REV B

Customer Drawing

Printed on 13 May 2021 09:05 (China Standard Time) from 1E238667