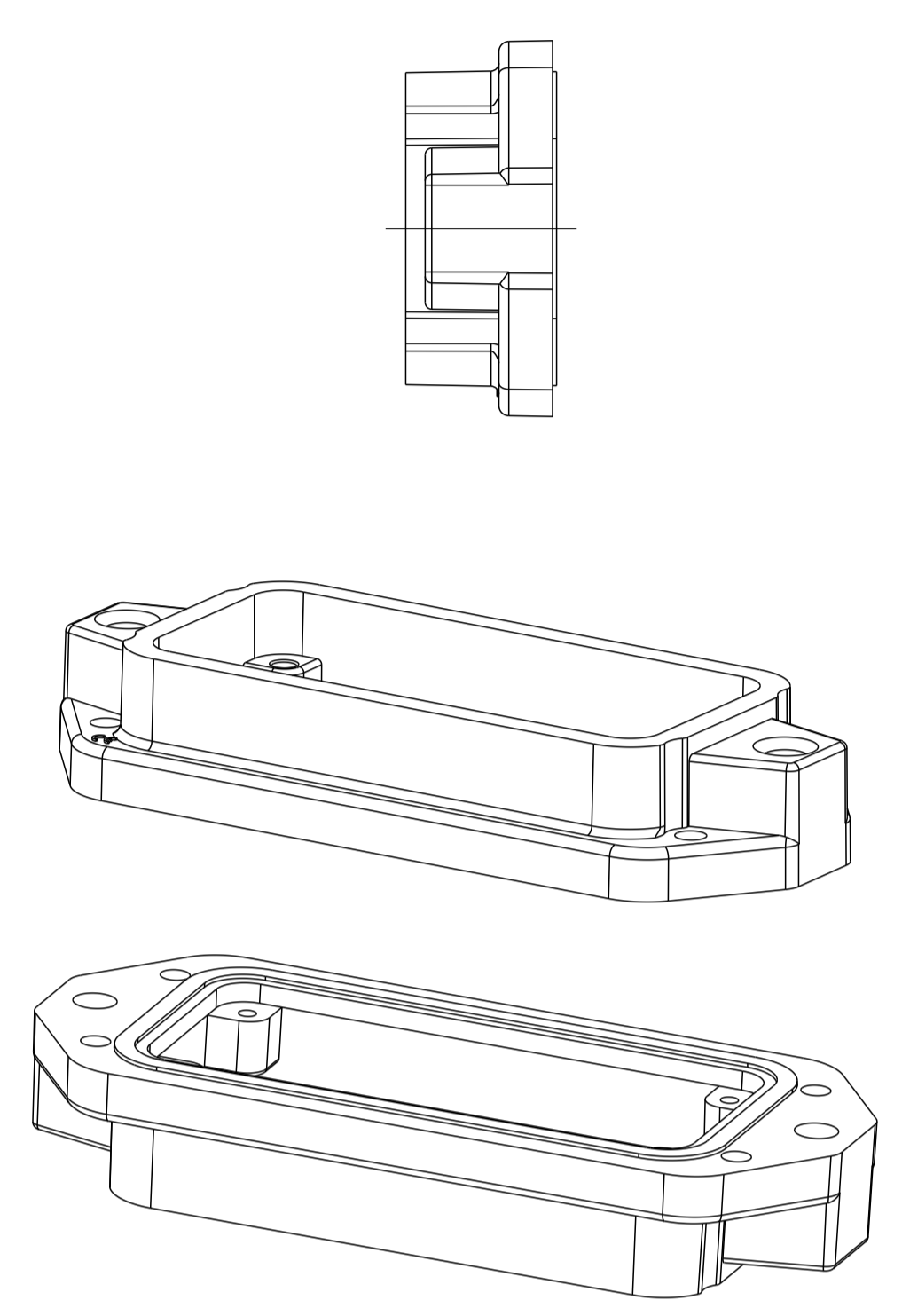
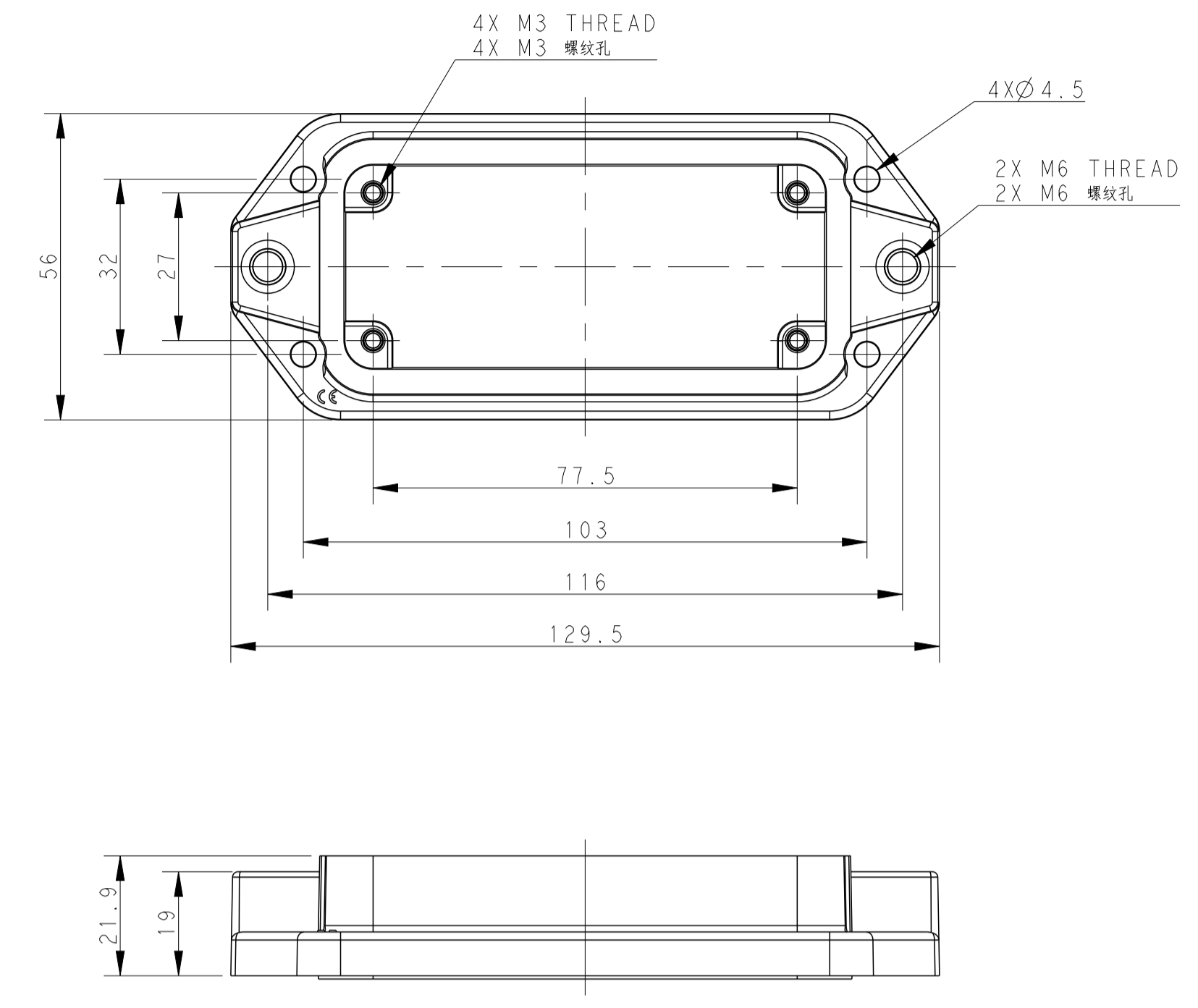


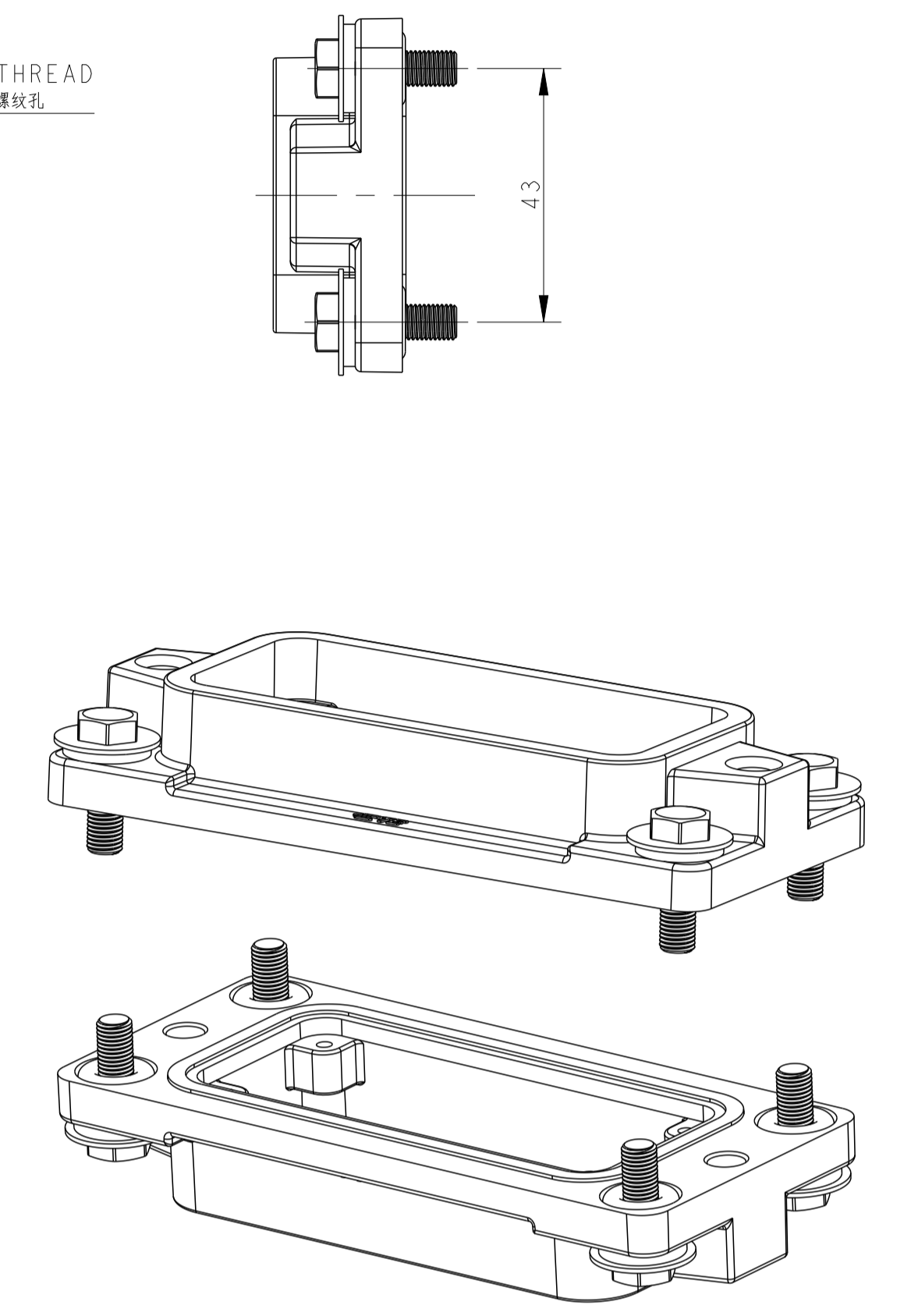
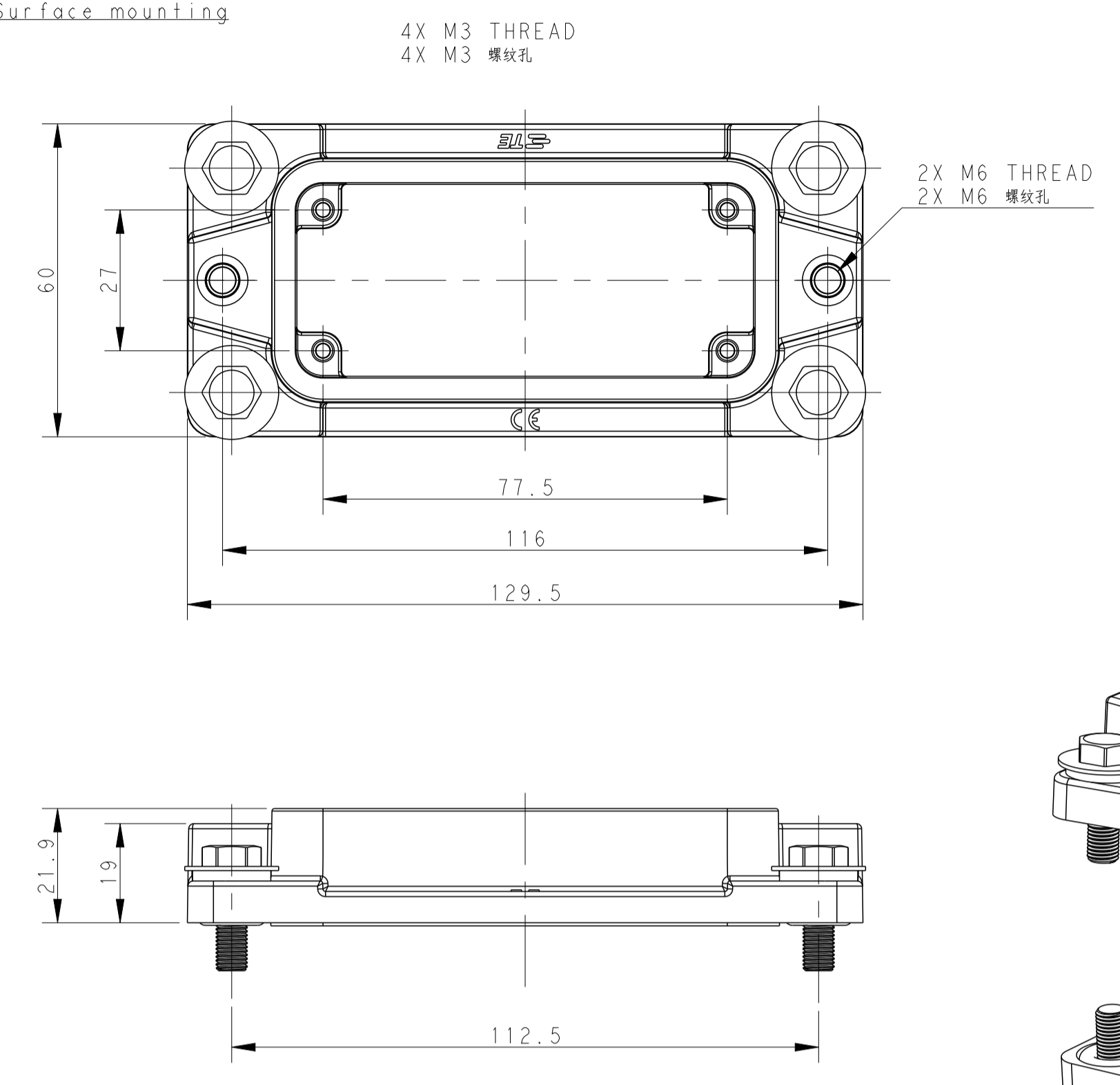
TYPE 1

Surface mounting



TYPE 2

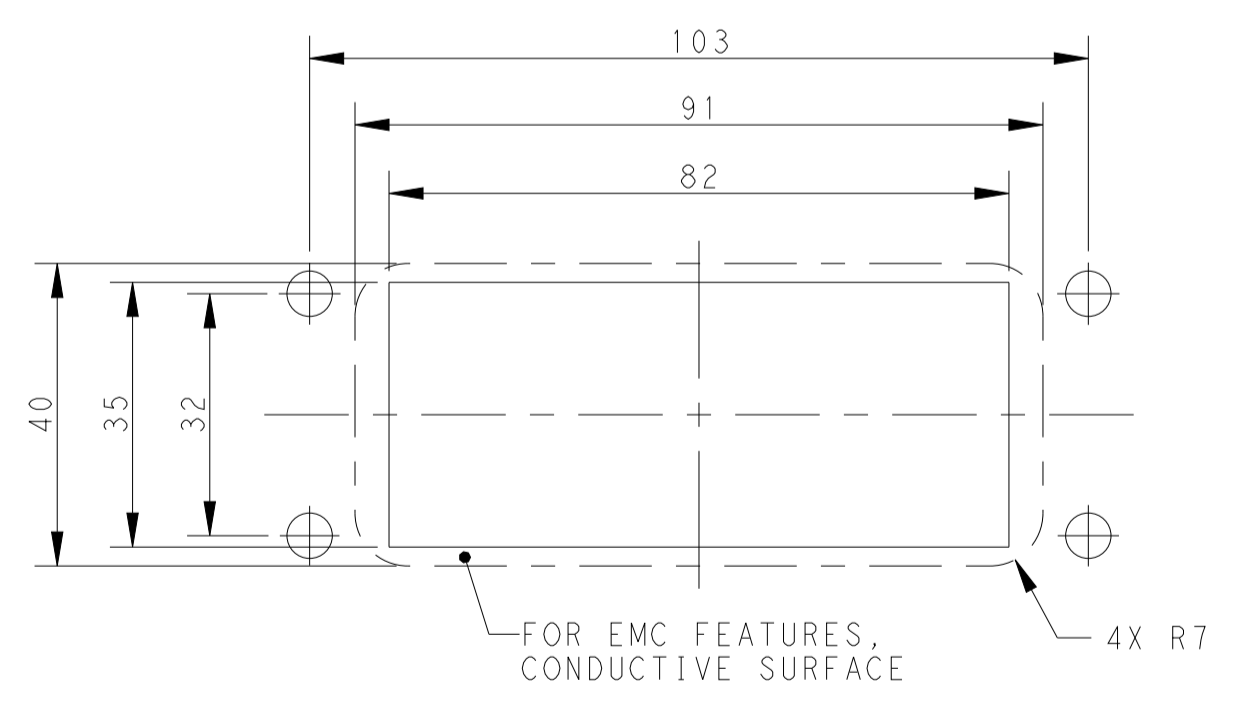
Surface mounting



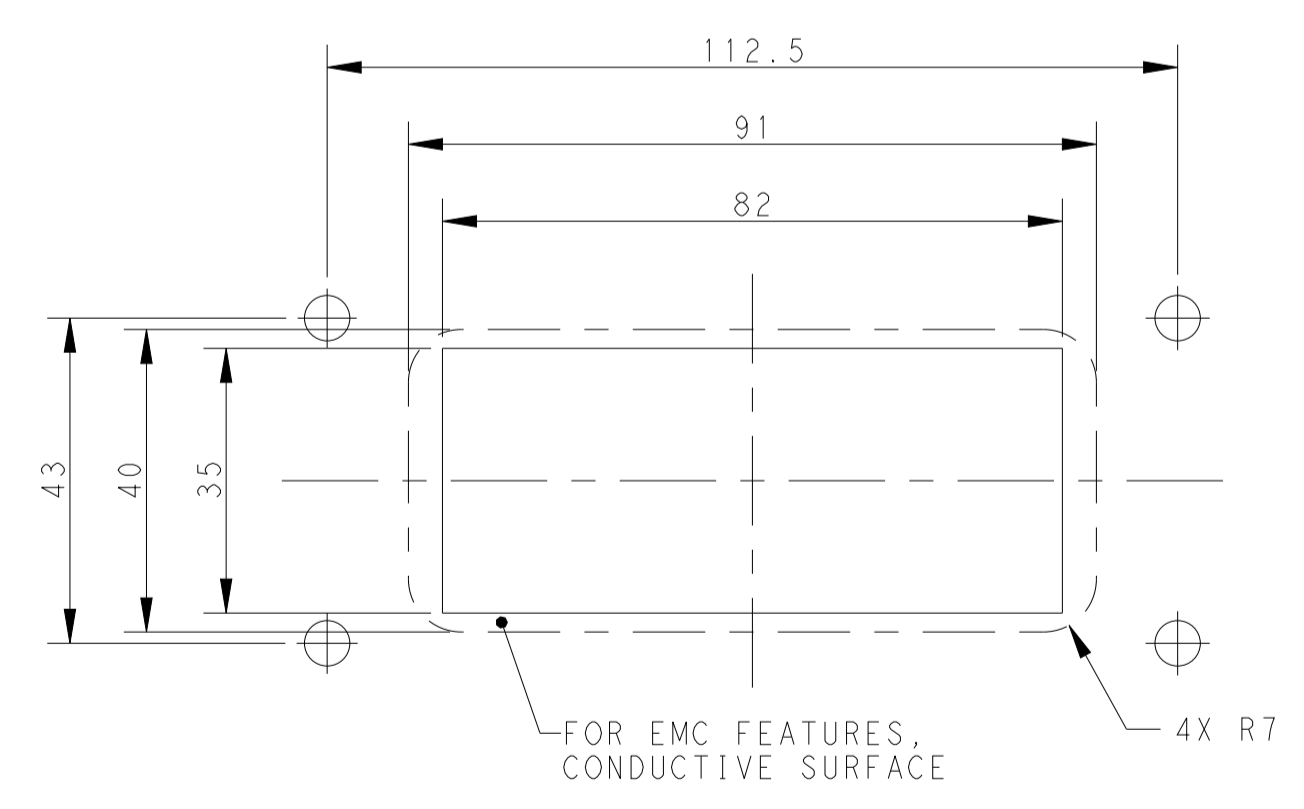
REVISIONS				
P	LTN	DESCRIPTION	DATE	APPV
A		INITIAL RELEASE	08OCT2016	DW CW
B		ECR-20-016312	04JUN2021	BS CW
B1		ECR-24-214773	08AUG2024	SC CW

NOTES:
 1. TECHNICAL CHARACTERISTICS:
 HOUSING MATERIAL: DIE CAST ALUMINIUM ALLOY
 SURFACE: SEE TABLE
 DEGREE OF PROTECTION: IP68 (MATED)

注释
 1. 技术参数:
 壳体材料: 铝合金
 表面处理: 见表格
 防护等级: IP68 (配合)



Panel Cut Out Dimension For TYPE 1, Only for Reference
 面板开口尺寸, 仅供参考



Panel Cut Out Dimension For TYPE 2, Only for Reference
 面板开口尺寸, 仅供参考

OBsolete	Part Number	Description	Type
T1932160001-009	H16BPR-AGCT-EMC-C	H16BPR HOUSING, CENTER LOCKING, BULKHEAD FLANGE MOUNTED, POWDER COATED, BLACK H16BPR中部锁定面板型开孔下壳 黑色	TYPE 2 类型2
T1932162000-009	H16BPR-AGC-EMC-C	H16BPR HOUSING, CENTER LOCKING, BULKHEAD MOUNTED, POWDER COATED, GREY H16BPR中部锁定开孔下壳 灰色	TYPE 1 类型1
T1932161000-009	H16BPR-AGC-EMC-C	H16BPR HOUSING, CENTER LOCKING, BULKHEAD MOUNTED, POWDER COATED, SILVER WHITE H16BPR中部锁定开孔下壳 银白色	
T1932160000-009	H16BPR-AGC-EMC-C	H16BPR HOUSING, CENTER LOCKING, BULKHEAD MOUNTED, POWDER COATED, BLACK H16BPR中部锁定开孔下壳 黑色	TYPE 1 类型1
PART NUMBER 料号		DESCRIPTION 描述	TYPE 类型

THIS DRAWING IS A CONTROLLED DOCUMENT.		DWN DAVID WANG 08OCT2016	TE Connectivity NAME H16BPR-AGC/AGCT-EMC-C
DIMENSIONS:		CHK CHRIS WANG 08OCT2016	
TOLERANCES UNLESS OTHERWISE SPECIFIED:		APPV XIANG XU 08OCT2016	
MATERIAL		PRODUCT SPEC 108-137191 APPLICATION SPEC 114-137191 WEIGHT	
mm	0 PLC ± 1 PLC ± 2 PLC ± 3 PLC ± 4 PLC ± ANGLES ±	FINISH	SIZE A1
Customer Drawing		SCALE 1:1	RESTRICTED TO SHEET 1 OF 1 REV B1