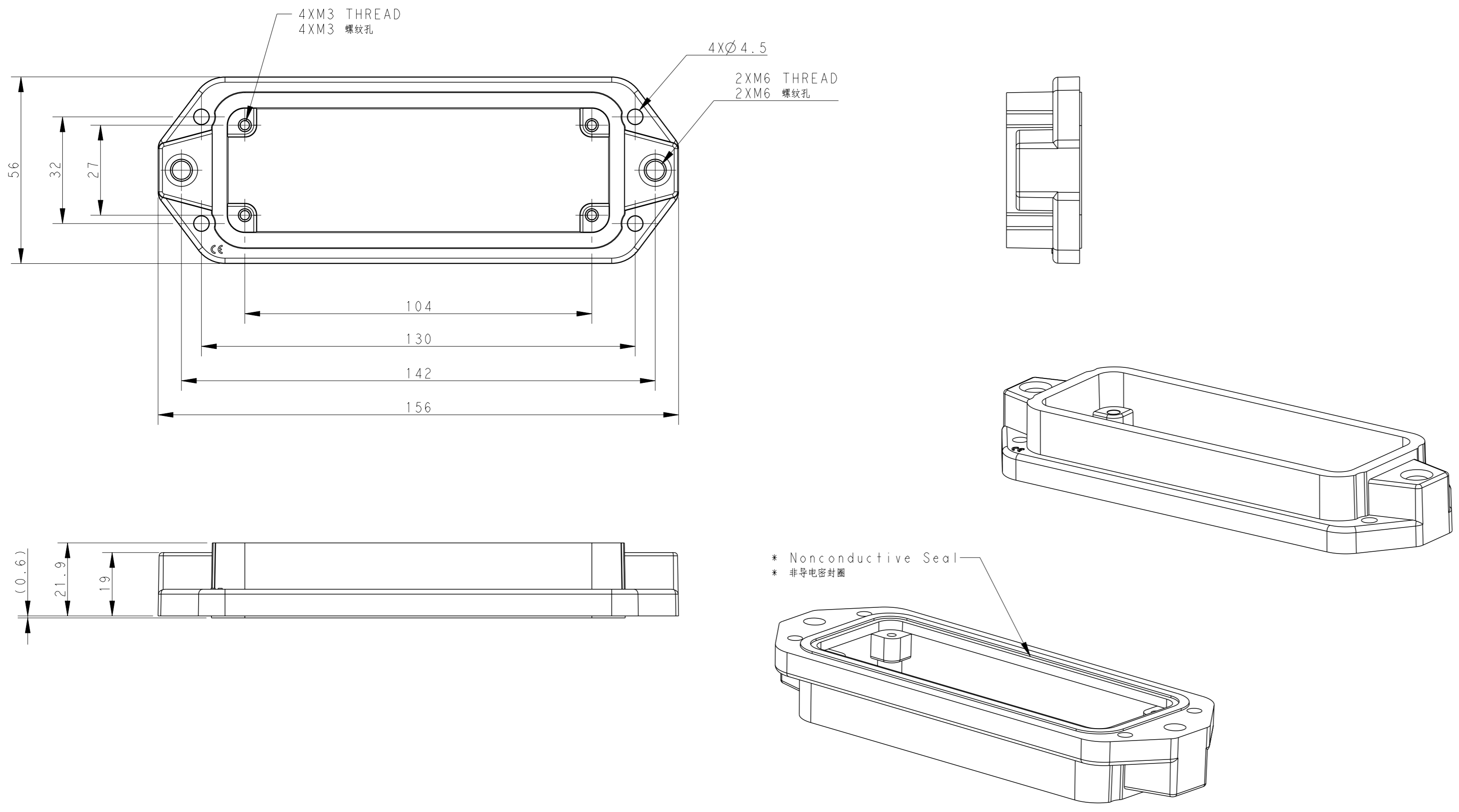


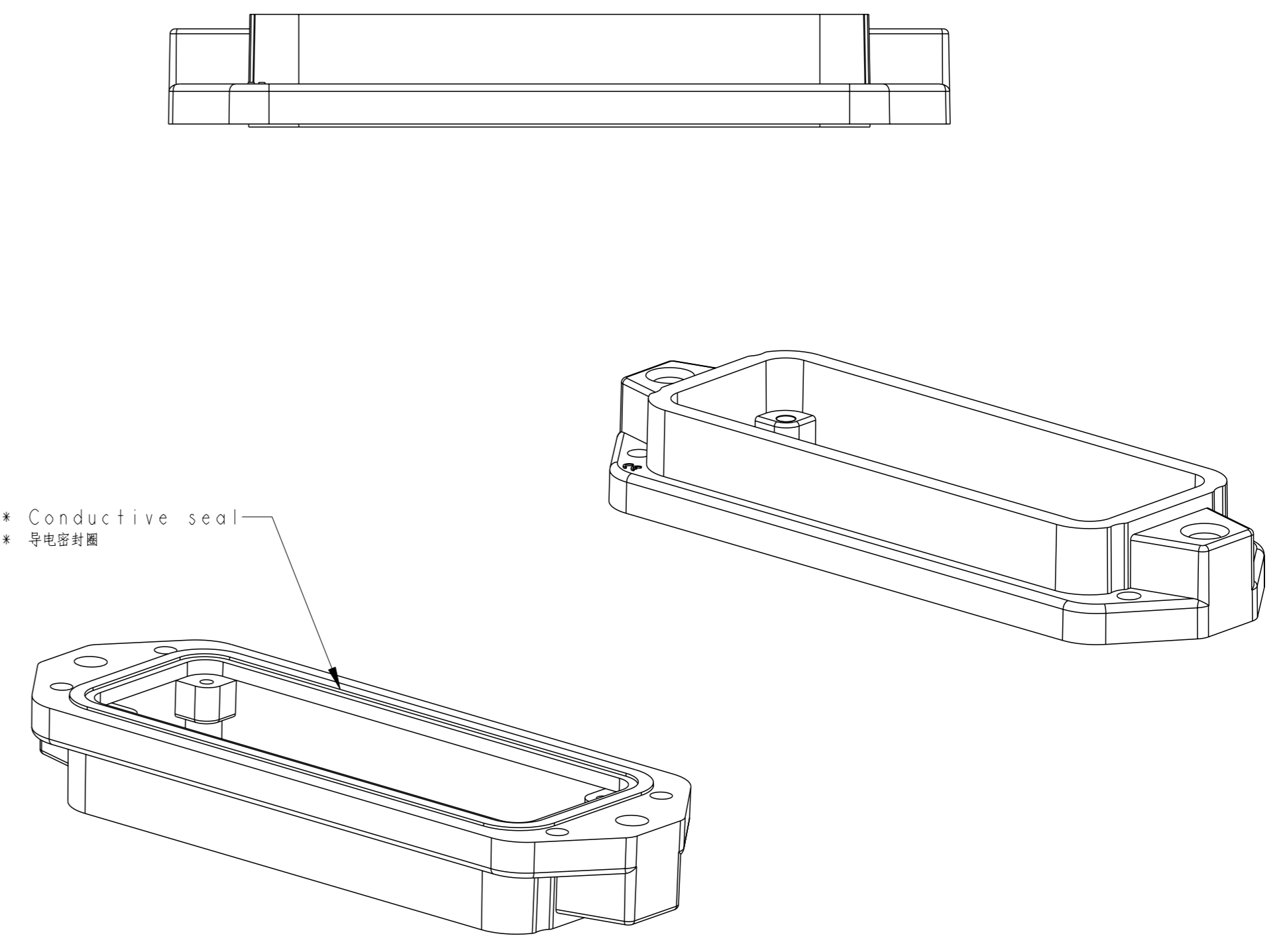
TYPE 1 类型 1

With nonconductive seal / 带非导电密封圈



TYPE 2 类型 2

With conductive seal / 带导电密封圈

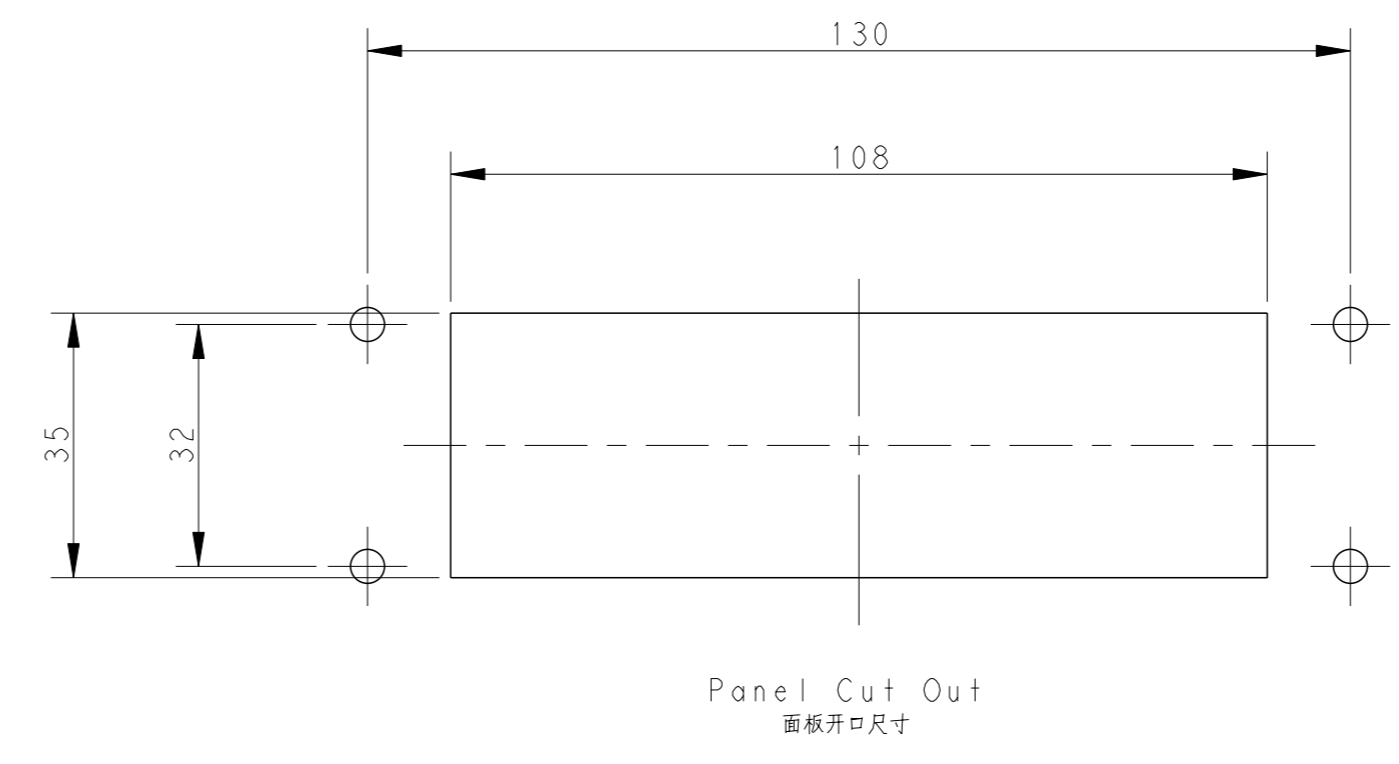
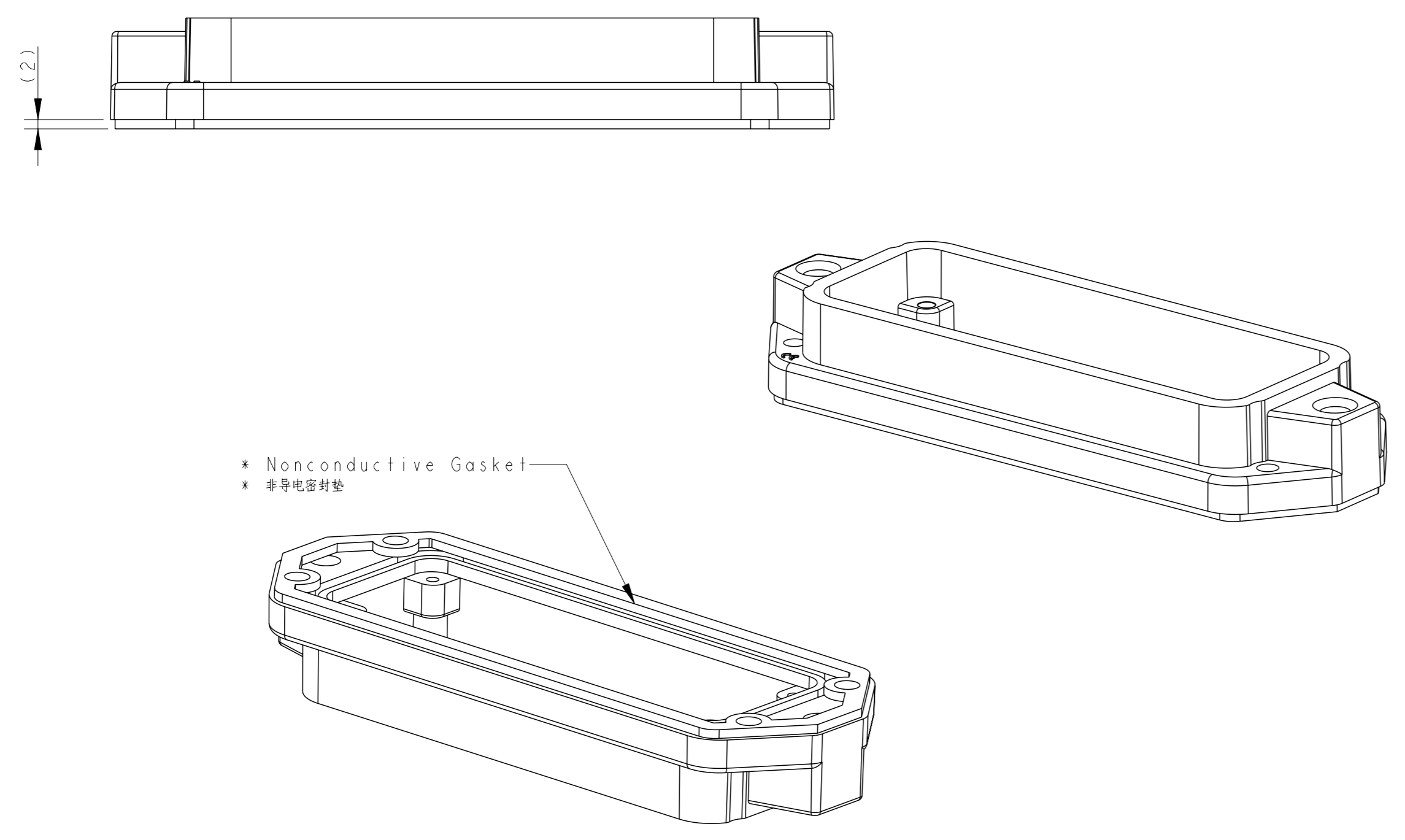


All dimension is same as TYPE 1, except those defined in this TYPE
 除了在本类型中定义的尺寸外, 其他尺寸同类型 1

REVISIONS				
#	LY#	DESCRIPTION	DATE	OWN APVD
A		INITIAL RELEASE	17JUN2015	GY CW
B		ECR-16-007814	31MAY2016	GY CW
B1		ECR-18-010109	26JUN2018	CD CW
C		ECR-20-014403	20MAY2021	BS CW

TYPE 3 类型 3

With nonconductive gasket / 带非导电密封垫



NOTES:
 1. TECHNICAL CHARACTERISTICS:
 HOUSING MATERIAL: DIE CAST ALUMINIUM ALLOY
 SURFACE TREATMENT: SEE TABLE
 DEGREE OF PROTECTION: IP68 (MATED)

注释
 1. 技术参数:
 壳体材料: 铝合金
 表面处理: 见表格
 防护等级: IP68 (配合)

PART NUMBER 零件料号	ASSEMBLY PART DESCRIPTION 成品描述	TYPE 类型
T1932241001-000	H24BPR HOUSING, CENTER LOCKING, BULKHEAD MOUNTED, POWDER COATED, SILVER WHITE, SEAL FIXED BY GLUE H24BPR 下壳, 中脚锁定, 开孔安装, 银白色粉末喷涂, 密封胶	TYPE 3 类型 3
T1932241000-100	H24BPR HOUSING, CENTER LOCKING, BULKHEAD MOUNTED, POWDER COATED, SILVER WHITE, CONDUCTIVE SEALING H24BPR 下壳, 中脚锁定, 开孔安装, 银白色粉末喷涂, 导电密封圈	TYPE 2 类型 2
T1932240000-100	H24BPR HOUSING, CENTER LOCKING, BULKHEAD MOUNTED, POWDER COATED, BLACK, CONDUCTIVE SEALING H24BPR 下壳, 中脚锁定, 开孔安装, 黑色粉末喷涂, 导电密封圈	
T1932242000-000	H24BPR HOUSING, CENTER LOCKING, BULKHEAD MOUNTED, POWDER COATED, GREY H24BPR 下壳, 中脚锁定, 开孔安装, 灰色粉末喷涂	TYPE 1 类型 1
T1932241000-000	H24BPR HOUSING, CENTER LOCKING, BULKHEAD MOUNTED, POWDER COATED, SILVER WHITE H24BPR 下壳, 中脚锁定, 开孔安装, 银白色粉末喷涂	
T1932240000-000	H24BPR HOUSING, CENTER LOCKING, BULKHEAD MOUNTED, POWDER COATED, BLACK H24BPR 下壳, 中脚锁定, 开孔安装, 黑色粉末喷涂	
T1932242000-100	H24BPR HOUSING, CENTER LOCKING, BULKHEAD MOUNTED, POWDER COATED, DEEP GREY H24BPR 下壳, 中脚锁定, 开孔安装, 深灰色粉末喷涂	

All dimension is same as TYPE 1, except those defined in this TYPE
 除了在本类型中定义的尺寸外, 其他尺寸同类型 1

THIS DRAWING IS A CONTROLLED DOCUMENT.

DWN: Gino Yao 17JUN2015	NAME: H24BPR-AGC	SIZE: A1	CAGE CODE: -	DRAWING NO: T193224XXXXX00	RESTRICTED TO: -
CHK: Chris Wang 17JUN2015					
APVD: Xiang Xu 17JUN2015	SCALE: 1:1		SHEET 1 OF 1		REV C

Customer Drawing

Printed on 20 May 2021 16:36:36 (China Standard Time) from 1E238667