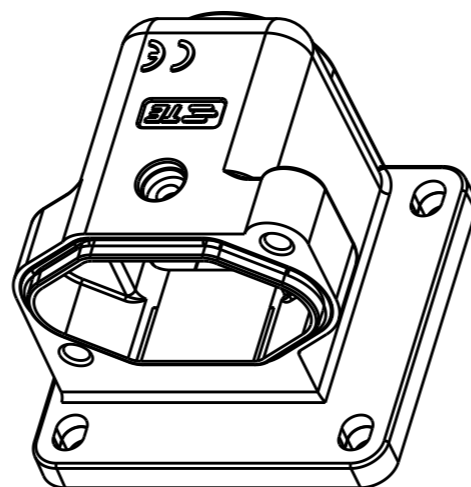
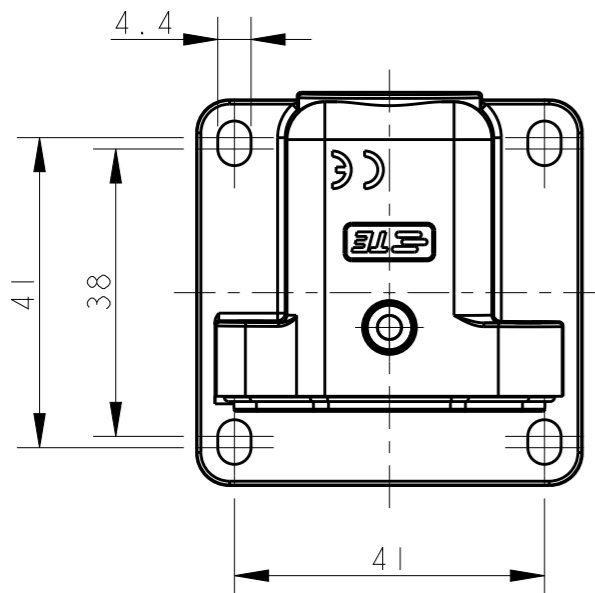


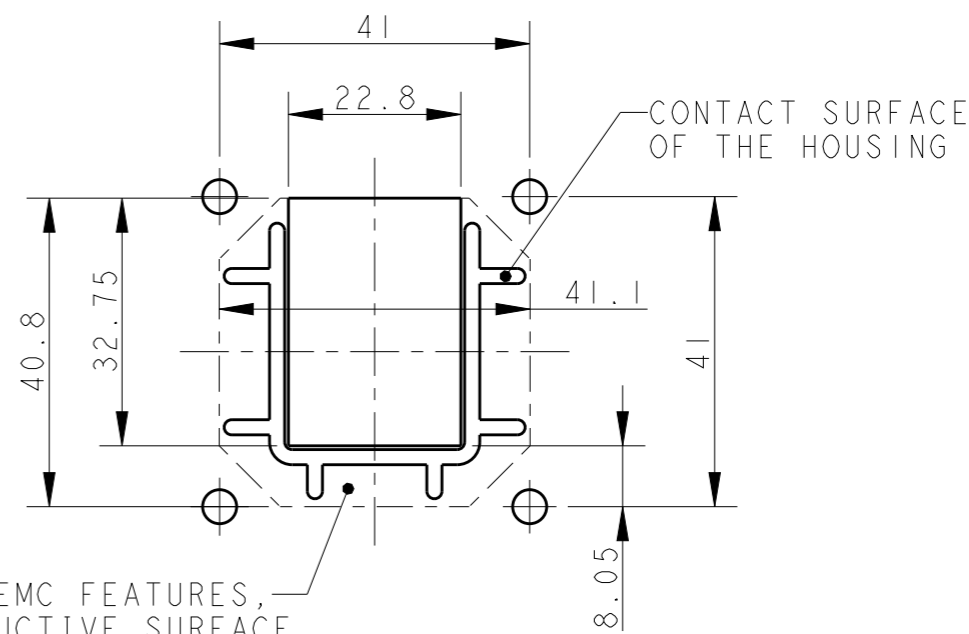
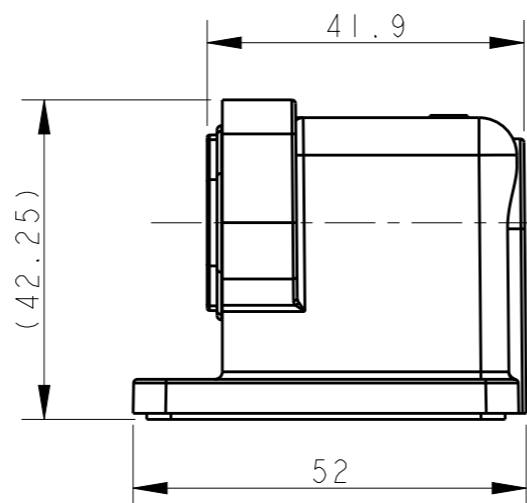
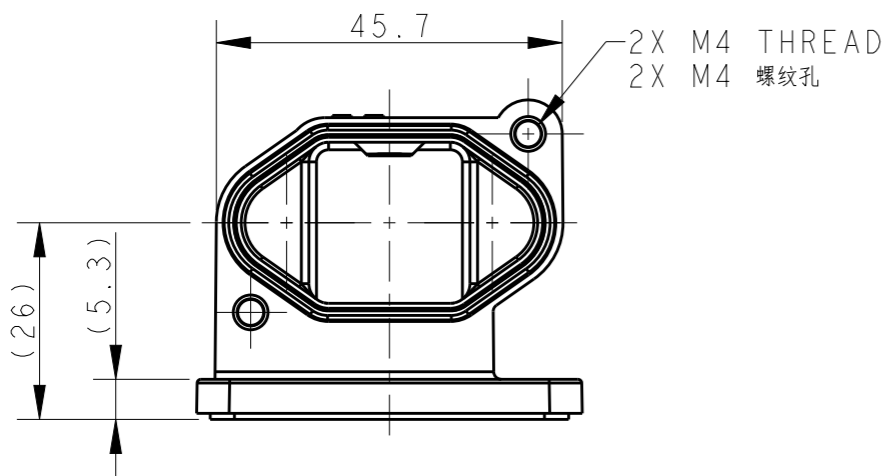
REVISIONS

P	LTR	DESCRIPTION	DATE	DWN	APVD
	A	INITIAL RELEASE	27SEP2016	DW	CW
	B	ECR-20-007462	09JUL2020	BS	CW



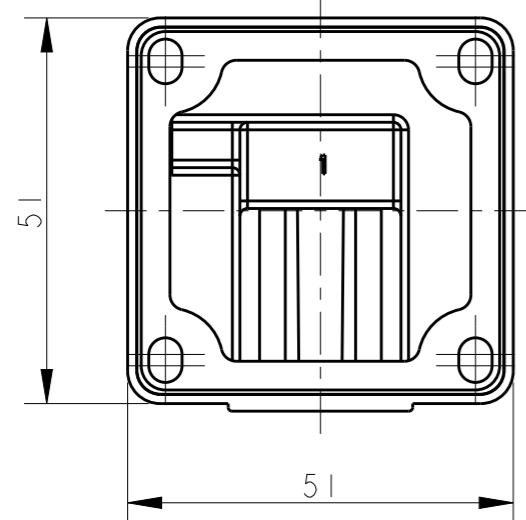
NOTES:
 1. TECHNICAL CHARACTERISTICS:
 HOUSING MATERIAL: DIE CAST ALUMINIUM ALLOY
 SURFACE : SEE TABLE
 DEGREE OF PROTECTION: IP68 (MATED)


注释
 1. 技术参数:
 壳体材料: 铝合金
 表面处理: 见表格
 防护等级: IP68 (配合)



FOR EMC FEATURES,
CONDUCTIVE SURFACE

Panel Cut Out Dimension, Only for Reference
 面板开口尺寸, 仅供参考



THIS DRAWING IS A CONTROLLED DOCUMENT.		DWN 27SEP2016 DAVID WANG	 TE Connectivity	
DIMENSIONS: mm		CHK 27SEP2016 CHRIS WANG		
TOLERANCES UNLESS OTHERWISE SPECIFIED:		APVD 27SEP2016 XIANG XU	NAME H3APR-MAGS-EMC-C	
0 PLC ±-		PRODUCT SPEC 108-137187	SIZE CAGE CODE DRAWING NO RESTRICTED TO	
1 PLC ±-		APPLICATION SPEC 114-137187	A3 - C-T194603X000009	
2 PLC ±-		WEIGHT -	SCALE 1:1 SHEET 1 OF 2 REV B	
3 PLC ±-		CUSTOMER DRAWING		
4 PLC ±-				
ANGLES ±-				
FINISH				
MATERIAL				

THIS DRAWING IS UNPUBLISHED.

RELEASED FOR PUBLICATION

20

© COPYRIGHT 20 BY -

ALL RIGHTS RESERVED.

REVISIONS

P	LTR	DESCRIPTION	DATE	DWN	APVD
-		SEE SHEET 1	-	-	-

NOTES:

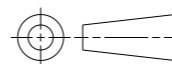
SEE SHEET 1

T1946032000-009	H3APR-MAGS-EMC-C	H3APR HOUSING, QUADRANGLED INNER-HEX SCREW LOCKING, BULKHEAD MOUNTED, ANGLED, POWDER COATED, GREY H3ARP 内六角螺丝四角锁定开孔侧出下壳 黑色
T1946031000-009	H3APR-MAGS-EMC-C	H3APR HOUSING, QUADRANGLED INNER-HEX SCREW LOCKING, BULKHEAD MOUNTED, ANGLED, POWDER COATED, SILVER WHITE H3ARP 内六角螺丝四角锁定开孔侧出下壳 银白色
T1946030000-009	H3APR-MAGS-EMC-C	H3APR HOUSING, QUADRANGLED INNER-HEX SCREW LOCKING, BULKHEAD MOUNTED, ANGLED, POWDER COATED, BLACK H3ARP 内六角螺丝四角锁定开孔侧出下壳 黑色
PART NUMBER 料号	PART DESCRIPTION 描述	

THIS DRAWING IS A CONTROLLED DOCUMENT.

DIMENSIONS:

mm



TOLERANCES UNLESS OTHERWISE SPECIFIED:

0 PLC	±-
1 PLC	±-
2 PLC	±-
3 PLC	±-
4 PLC	±-
ANGLES	±-

MATERIAL

-

FINISH

-

DWN 27SEP2016

DAVID WANG

CHK 27SEP2016

CHRIS WANG

APVD 27SEP2016

XIANG XU

PRODUCT SPEC

108-137187

APPLICATION SPEC

114-137187

WEIGHT

-

CUSTOMER DRAWING



TE Connectivity

NAME

H3APR-MAGS-EMC-C

SIZE

A3

CAGE CODE

-

DRAWING NO

©-T194603X000009

RESTRICTED TO

SCALE

1:1

SHEET

2 OF 2

REV

B