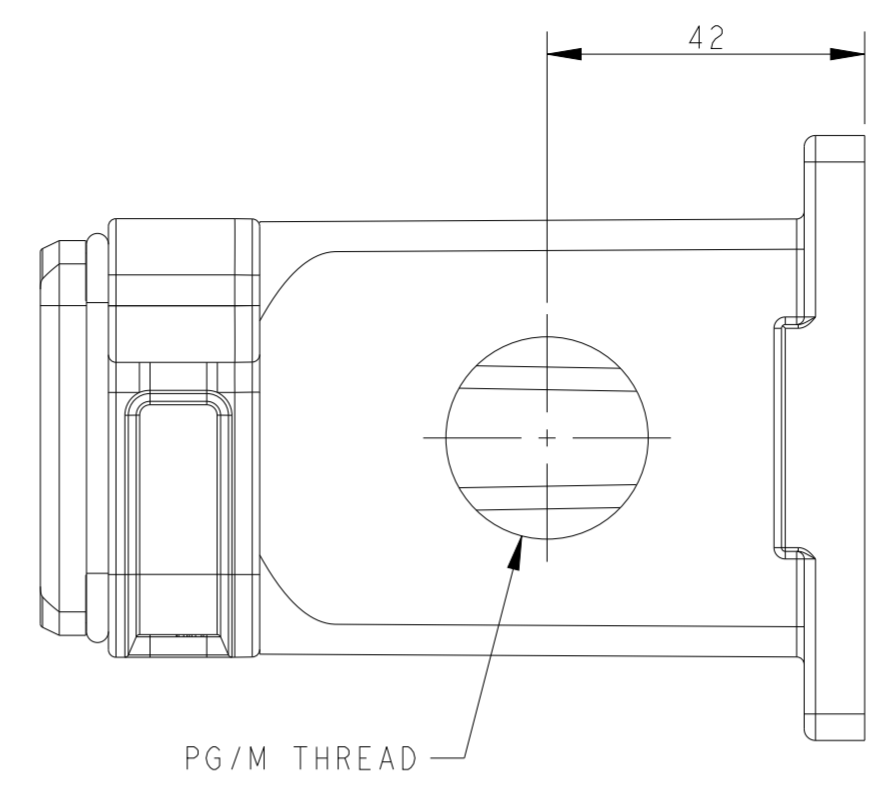
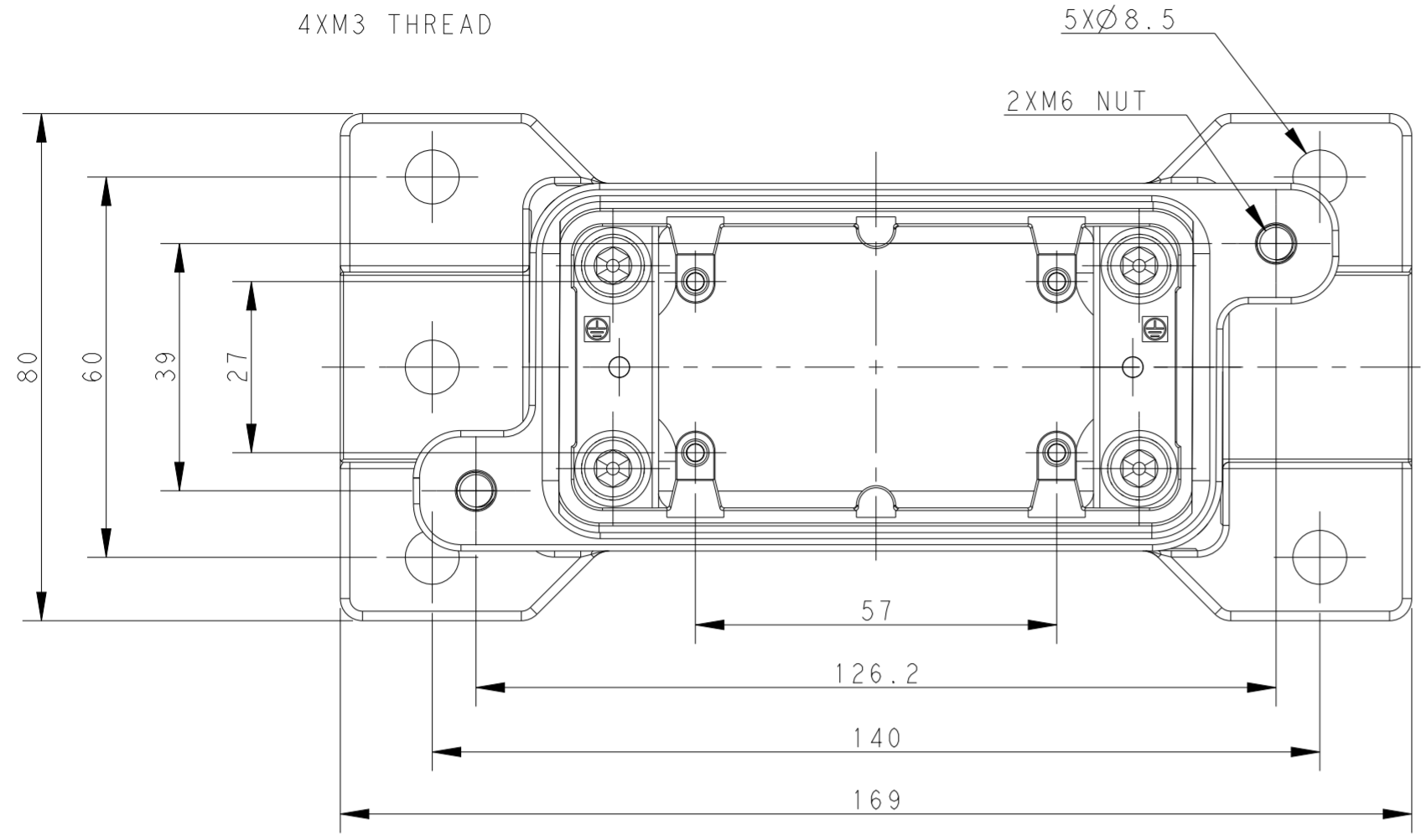


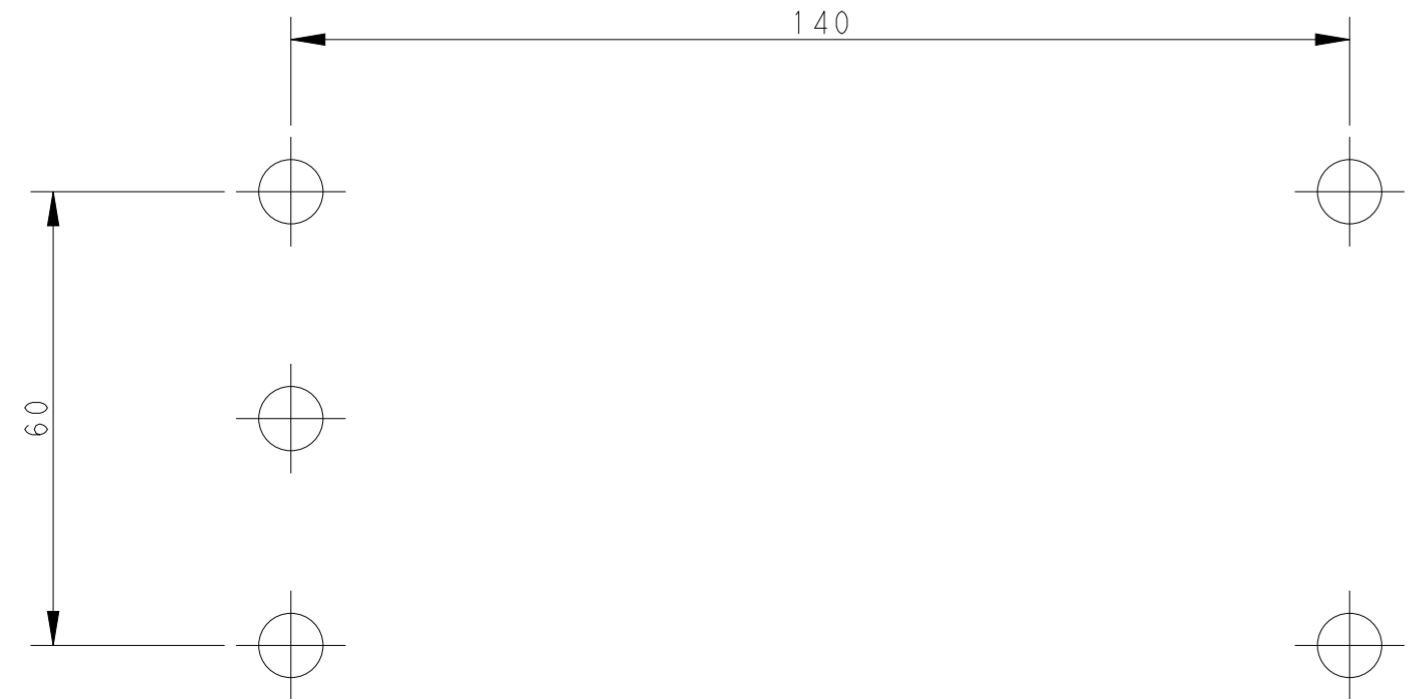
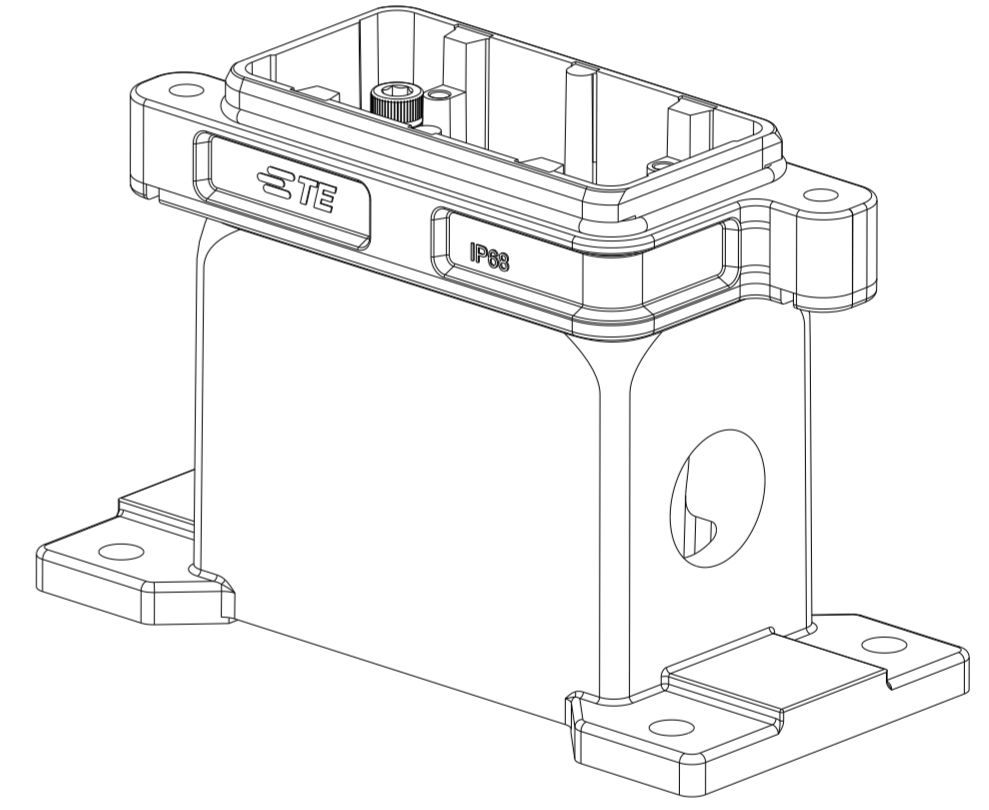
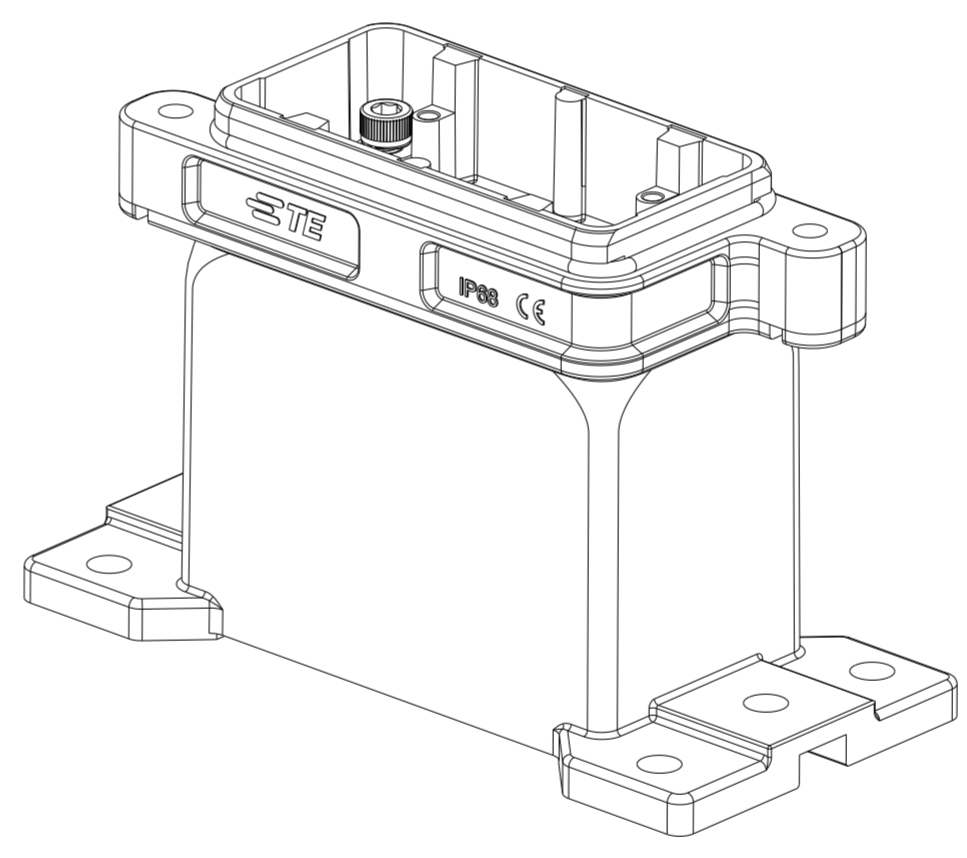
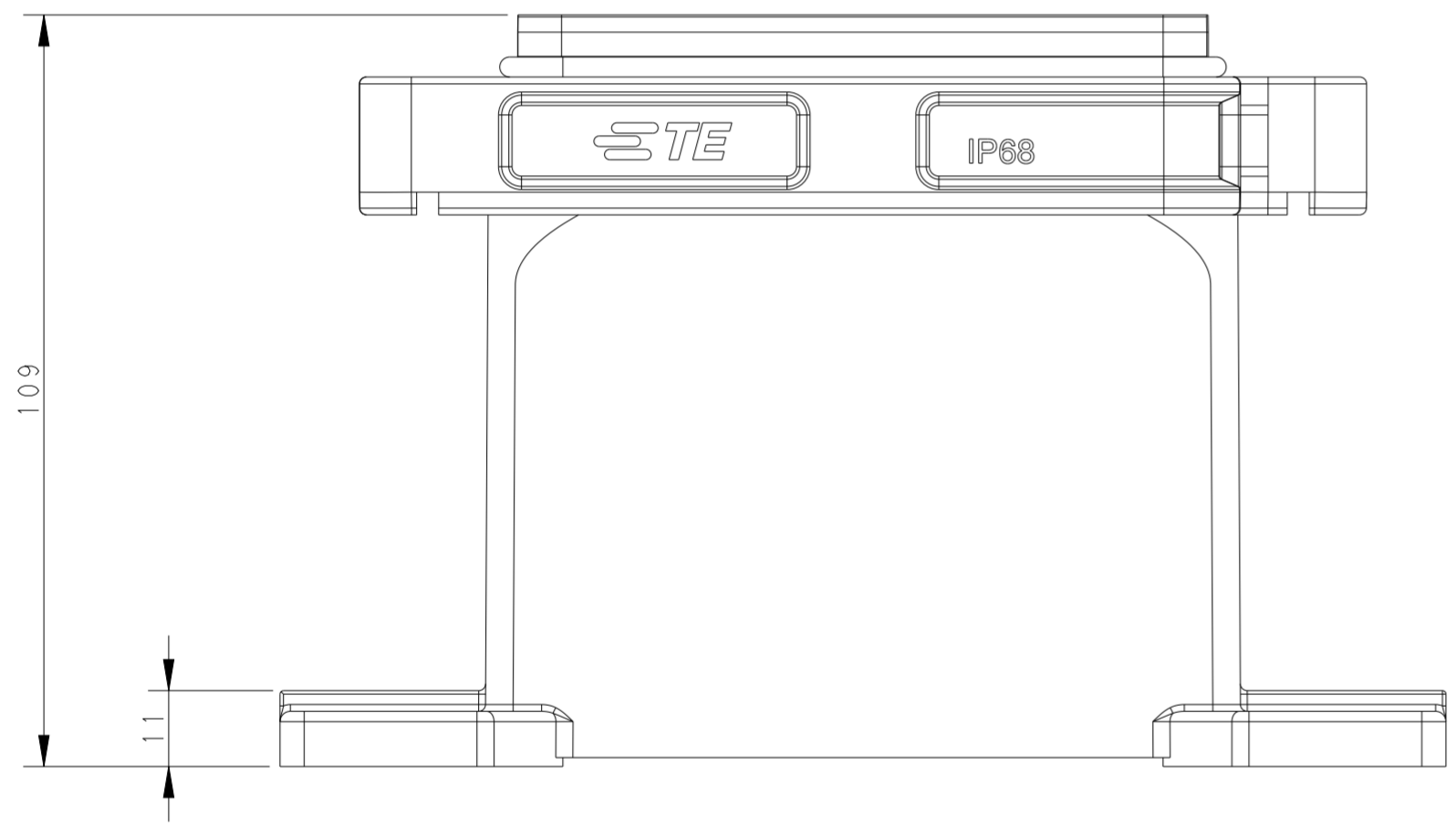
THIS DRAWING IS UNPUBLISHED. RELEASED FOR PUBLICATION 20
 © COPYRIGHT 20 BY - ALL RIGHTS RESERVED.

REVISIONS				
P	LTR	DESCRIPTION	DATE	APVD
A		INITIAL RELEASE	11JUN2015	GY CW
B		ECR-20-012069	08MAY2021	BS CW



NOTES:
 1. TECHNICAL CHARACTERISTICS:
 HOUSING MATERIAL: DIE CAST ALUMINIUM ALLOY
 SURFACE TREATMENT: SEE TABLE
 DEGREE OF PROTECTION: IP68 (MATED)

注释
 1. 技术参数:
 壳体材料: 铝合金
 表面处理: 见表格
 防护等级: IP68 (配合)



Panel Cut Out

T1950100132-000	POWDER COATED BLACK	H10BPR-SGRH-M32	M32
T1950100129-000	POWDER COATED BLACK	H10BPR-SGRH-PG29	PG29
T1950100125-000	POWDER COATED BLACK	H10BPR-SGRH-M25	M25
T1950100121-000	POWDER COATED BLACK	H10BPR-SGRH-PG21	PG21
PART NUMBER	SURFACE TREATMEN	DESCRIPTION	PG/M THREAD

THIS DRAWING IS A CONTROLLED DOCUMENT.		DWN	10JUN2015	STE TE Connectivity
		CHK	10JUN2015	
		APVD	10JUN2015	
		NAME	Xiang Xu	
DIMENSIONS: mm		PRODUCT SPEC		H10BPR-SGRH-PG/M
TOLERANCES UNLESS OTHERWISE SPECIFIED:		108-137014		
0 PLC ±		APPLICATION SPEC		SIZE
1 PLC ±		114-137014		CAGE CODE
2 PLC ±		WEIGHT		DRAWING NO
3 PLC ±		Customer Drawing		RESTRICTED TO
4 PLC ±		SCALE 1:1		REV B
ANGLES ±		SHEET 1 OF 1		
FINISH		DRAWING NO		
		G-T195010XXXXX00		