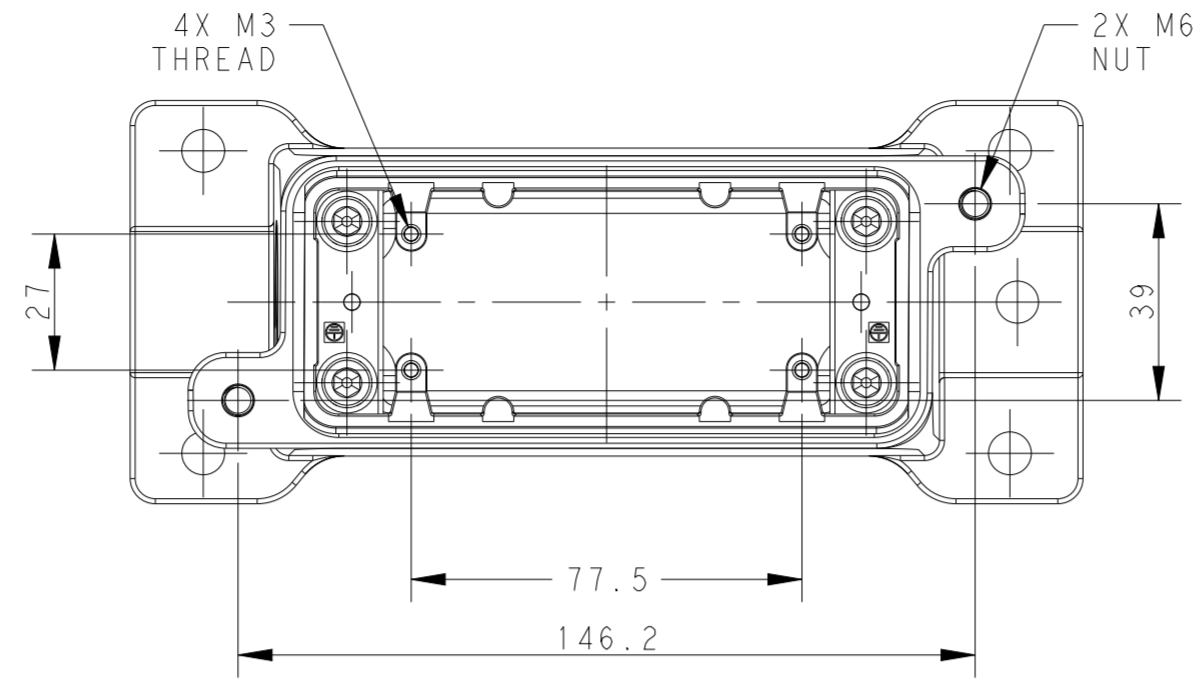
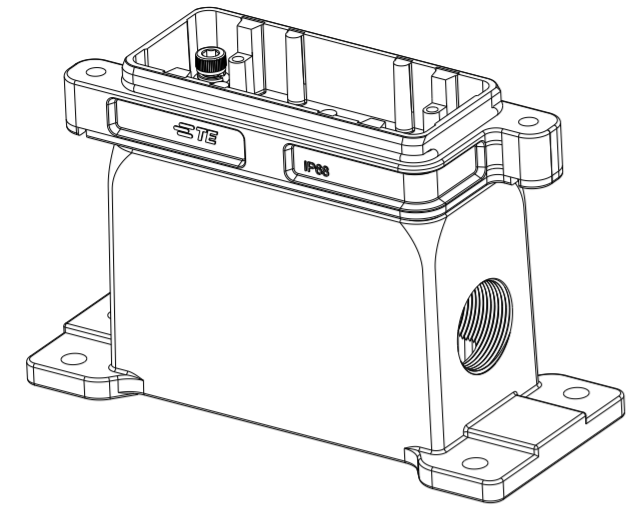


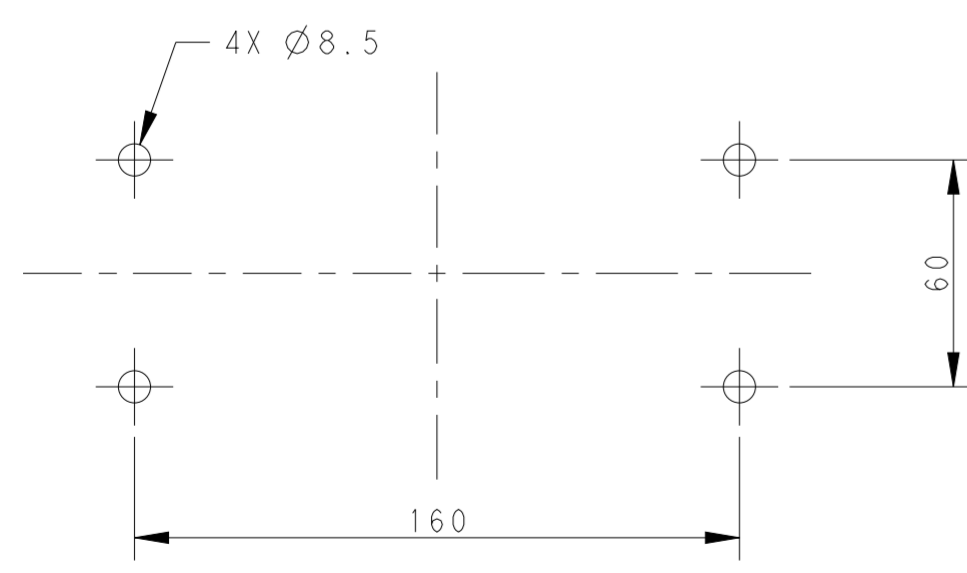
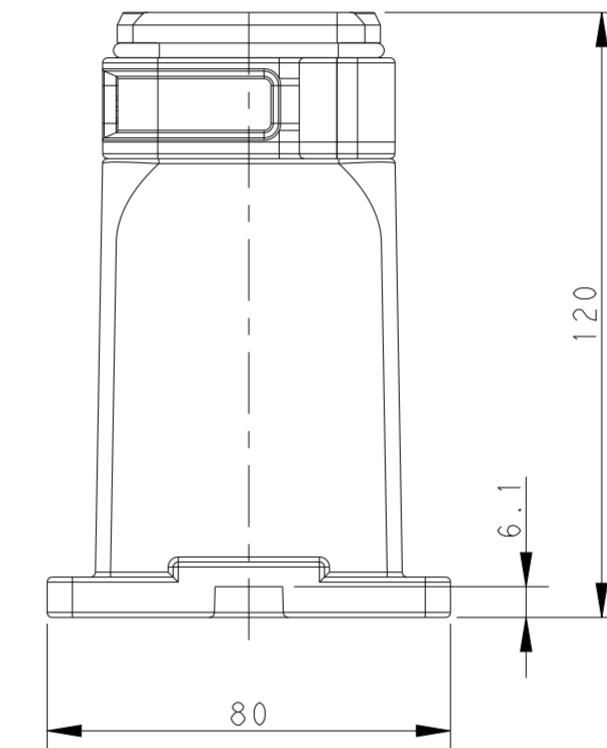
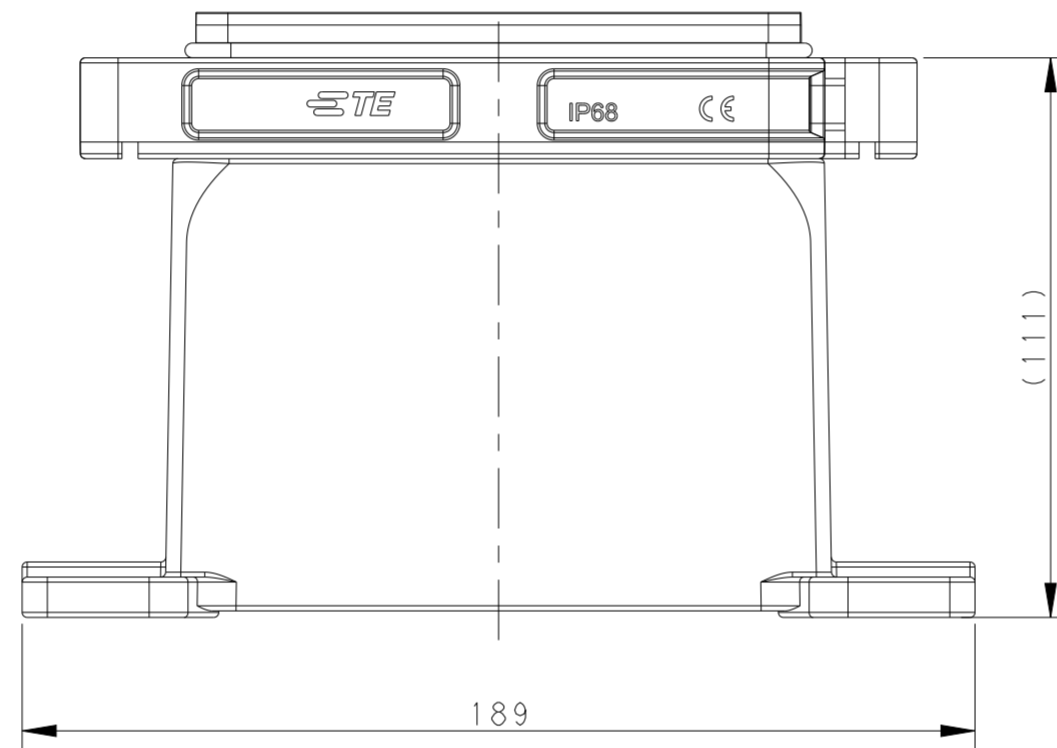
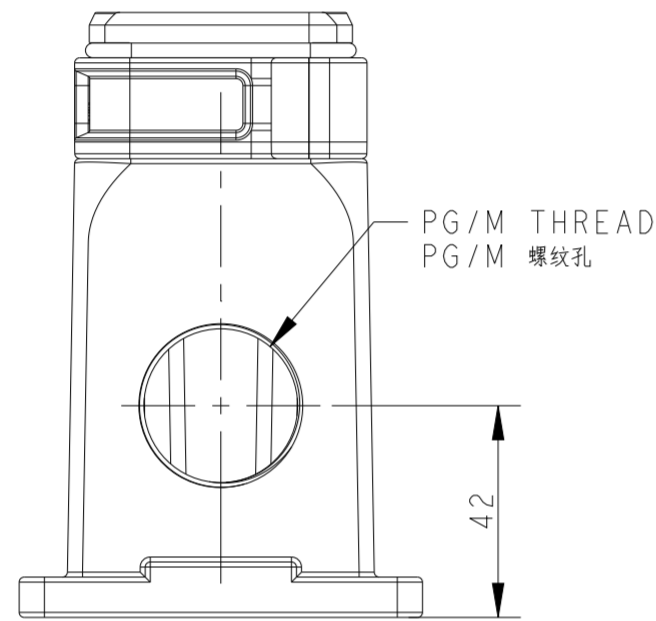
THIS DRAWING IS UNPUBLISHED. RELEASED FOR PUBLICATION
 © COPYRIGHT - BY - ALL RIGHTS RESERVED.

REVISIONS				
P	LTR	DESCRIPTION	DATE	APVD
A		INITIAL	05MAR2017	RL CW
A1		ECR-18-011763	06AUG2018	CD CW
A2		ECR-18-013704	30AUG2018	RG CW
B		ECR-20-012892	12MAY2021	BS CW

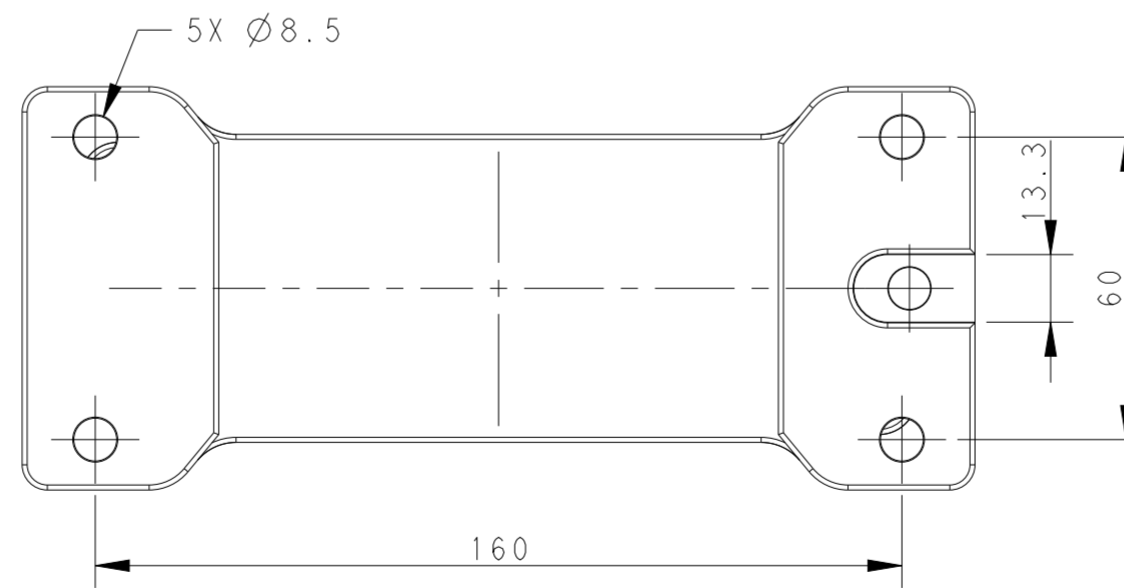


NOTES:
 1. TECHNICAL CHARACTERISTICS:
 HOOD MATERIAL: ALUMINIUM ALLOY
 SURFACE: POWDER COATED, BLACK
 DEGREE OF PROTECTION: IP68 (MATED)

注释:
 1. 技术参数:
 上壳材料: 铝合金
 表面处理: 黑色粉末喷涂
 防护等级: IP68 (配合)



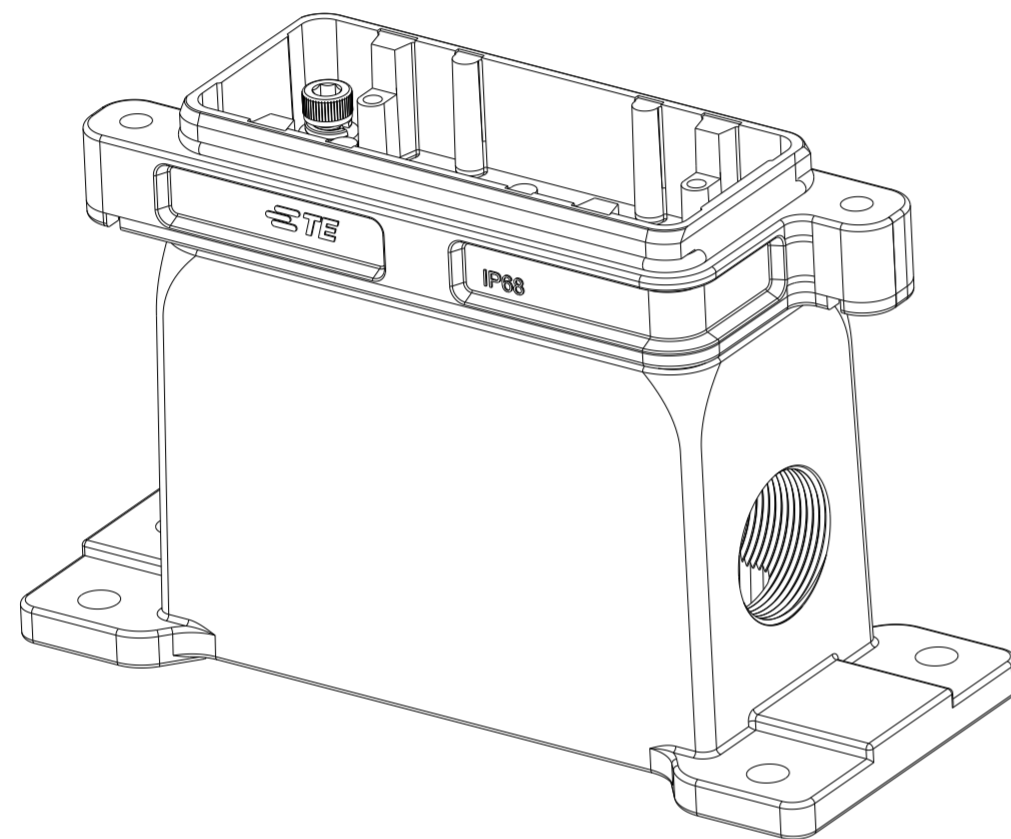
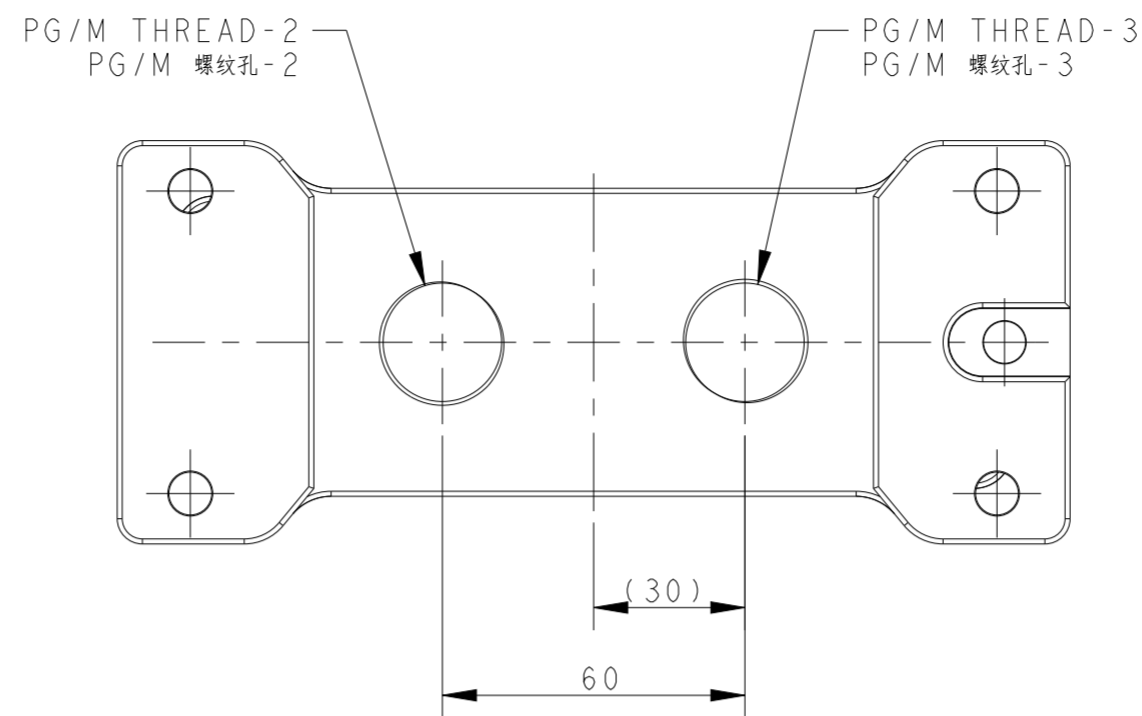
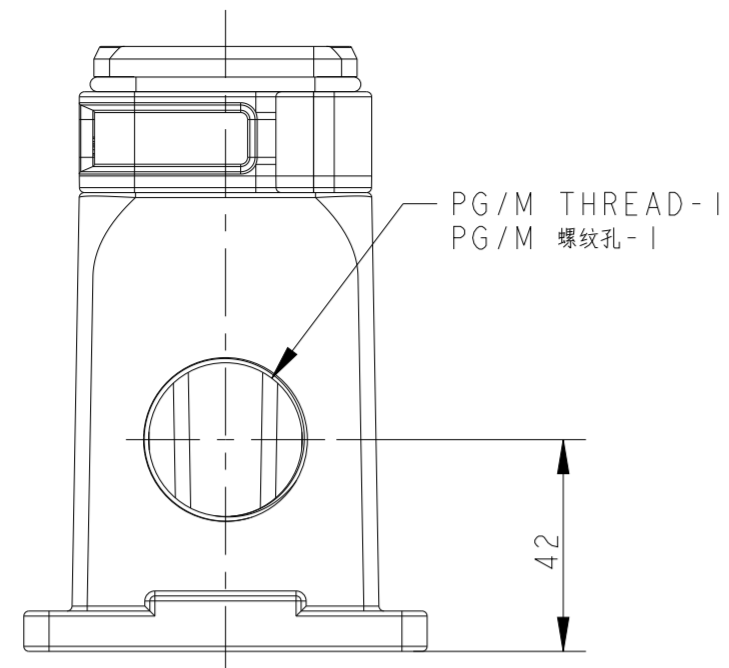
PANEL CUT OUT
 面板安装开孔尺寸



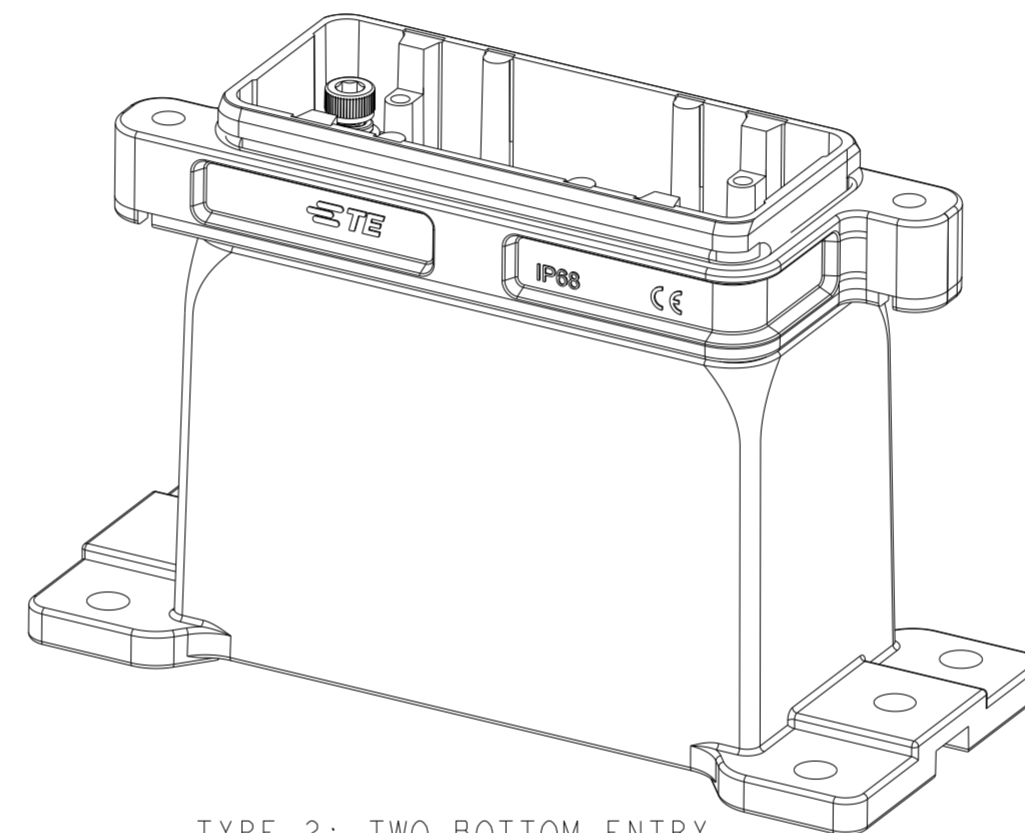
THIS DRAWING IS A CONTROLLED DOCUMENT.		DWN ROY LIU 05MAR2017	TE Connectivity															
DIMENSIONS: mm		CHK KYLE ZENG 05MAR2017																
TOLERANCES UNLESS OTHERWISE SPECIFIED:		APVD CHRIS WANG 05MAR2017	NAME H16BPR-SGRH-PG/M															
<table border="0"> <tr><td>0 PLC</td><td>±</td></tr> <tr><td>1 PLC</td><td>±</td></tr> <tr><td>2 PLC</td><td>±</td></tr> <tr><td>3 PLC</td><td>±</td></tr> <tr><td>4 PLC</td><td>±</td></tr> <tr><td>ANGLES</td><td>±</td></tr> <tr><td>FINISH</td><td>±</td></tr> </table>		0 PLC	±	1 PLC	±	2 PLC	±	3 PLC	±	4 PLC	±	ANGLES	±	FINISH	±	PRODUCT SPEC 108-137014	RESTRICTED TO	
0 PLC	±																	
1 PLC	±																	
2 PLC	±																	
3 PLC	±																	
4 PLC	±																	
ANGLES	±																	
FINISH	±																	
MATERIAL		APPLICATION SPEC 114-137014	SIZE A2	CAGE CODE -														
		WEIGHT -	DRAWING NO C-T19501601XX000															
		CUSTOMER DRAWING	SCALE 2:3	SHEET 1 OF 2														
			REV B															

THIS DRAWING IS UNPUBLISHED. RELEASED FOR PUBLICATION
 © COPYRIGHT - BY - ALL RIGHTS RESERVED.

REVISIONS				
P	LTR	DESCRIPTION	DATE	APVD
-		SEE SHEET 1	-	-



TYPE 1: ONE SIDE ENTRY
 类型1: 侧面一个出线孔



TYPE 2: TWO BOTTOM ENTRY
 类型2: 底面两个出线孔

ALL DIMENSION IS SAME AS SHEET 1, EXCEPT THOSE DEFINED IN TYPES
 除了在各类型中定义的尺寸外, 其它尺寸同表格1

PART NUMBER 料号	PART DESCRIPTION 描述	PG/M THREAD-1 PG/M 螺纹孔-1	PG/M THREAD-2 PG/M 螺纹孔-2	PG/M THREAD-3 PG/M 螺纹孔-3	TYPE 类型
T1950163220-000	H16BPR-SGRH-TM32/TM20 H16BPR HOUSING, DIAGONAL LOCKING, SURFACE MOUNTED, BOTTOM ENTRY M32-M20, POWDER COATED, BLACK H16BPR下壳, 对角锁定, 表面安装, 底出M32-M20, 黑色粉末喷涂	-	M32	M20	TYPE2 类型2
T1950162520-000	H16BPR-SGRH-TM25/TM20 H16BPR HOUSING, DIAGONAL LOCKING, SURFACE MOUNTED, BOTTOM ENTRY M25-M20, POWDER COATED, BLACK H16BPR下壳, 对角锁定, 表面安装, 底出M25-M20, 黑色粉末喷涂	-	M25	M20	TYPE2 类型2
T1950160121-000	H16BPR-SGRH-PG21 H16BPR HOUSING, DIAGONAL LOCKING, SURFACE MOUNTED, SIDE ENTRY PG21, POWDER COATED, BLACK H16BPR下壳, 对角锁定, 表面安装, 侧出PG21, 黑色粉末喷涂	PG21	-	-	TYPE1 类型1
T1950160129-000	H16BPR-SGRH-PG29 H16BPR HOUSING, DIAGONAL LOCKING, SURFACE MOUNTED, SIDE ENTRY PG29, POWDER COATED, BLACK H16BPR下壳, 对角锁定, 表面安装, 侧出PG29, 黑色粉末喷涂	PG29	-	-	TYPE1 类型1
T1950160136-000	H16BPR-SGRH-PG36 H16BPR HOUSING, DIAGONAL LOCKING, SURFACE MOUNTED, SIDE ENTRY PG36, POWDER COATED, BLACK H16BPR下壳, 对角锁定, 表面安装, 侧出PG36, 黑色粉末喷涂	PG36	-	-	TYPE1 类型1
T1950160125-000	H16BPR-SGRH-M25 H16BPR HOUSING, DIAGONAL LOCKING, SURFACE MOUNTED, SIDE ENTRY M25, POWDER COATED, BLACK H16BPR下壳, 对角锁定, 表面安装, 侧出M25, 黑色粉末喷涂	M25	-	-	TYPE1 类型1
T1950160132-000	H16BPR-SGRH-M32 H16BPR HOUSING, DIAGONAL LOCKING, SURFACE MOUNTED, SIDE ENTRY M32, POWDER COATED, BLACK H16BPR下壳, 对角锁定, 表面安装, 侧出M32, 黑色粉末喷涂	M32	-	-	TYPE1 类型1
T1950160140-000	H16BPR-SGRH-M40 H16BPR HOUSING, DIAGONAL LOCKING, SURFACE MOUNTED, SIDE ENTRY M40, POWDER COATED, BLACK H16BPR下壳, 对角锁定, 表面安装, 侧出M40, 黑色粉末喷涂	M40	-	-	TYPE1 类型1

THIS DRAWING IS A CONTROLLED DOCUMENT.

DIMENSIONS: mm	TOLERANCES UNLESS OTHERWISE SPECIFIED: 0 PLC ± 1 PLC ± 2 PLC ± 3 PLC ± 4 PLC ± ANGLES ± FINISH	DWN ROY LIU 05MAR2017 CHK KYLE ZENG 05MAR2017 APVD CHRIS WANG 05MAR2017 PRODUCT SPEC 108-137014 APPLICATION SPEC 114-137014 WEIGHT -	TE Connectivity NAME H16BPR-SGRH-PG/M SIZE A2 CAGE CODE - DRAWING NO. C-T19501601XX000 RESTRICTED TO B SCALE 2:3 SHEET 2 OF 2 REV B
MATERIAL -	FINISH -	CUSTOMER DRAWING	