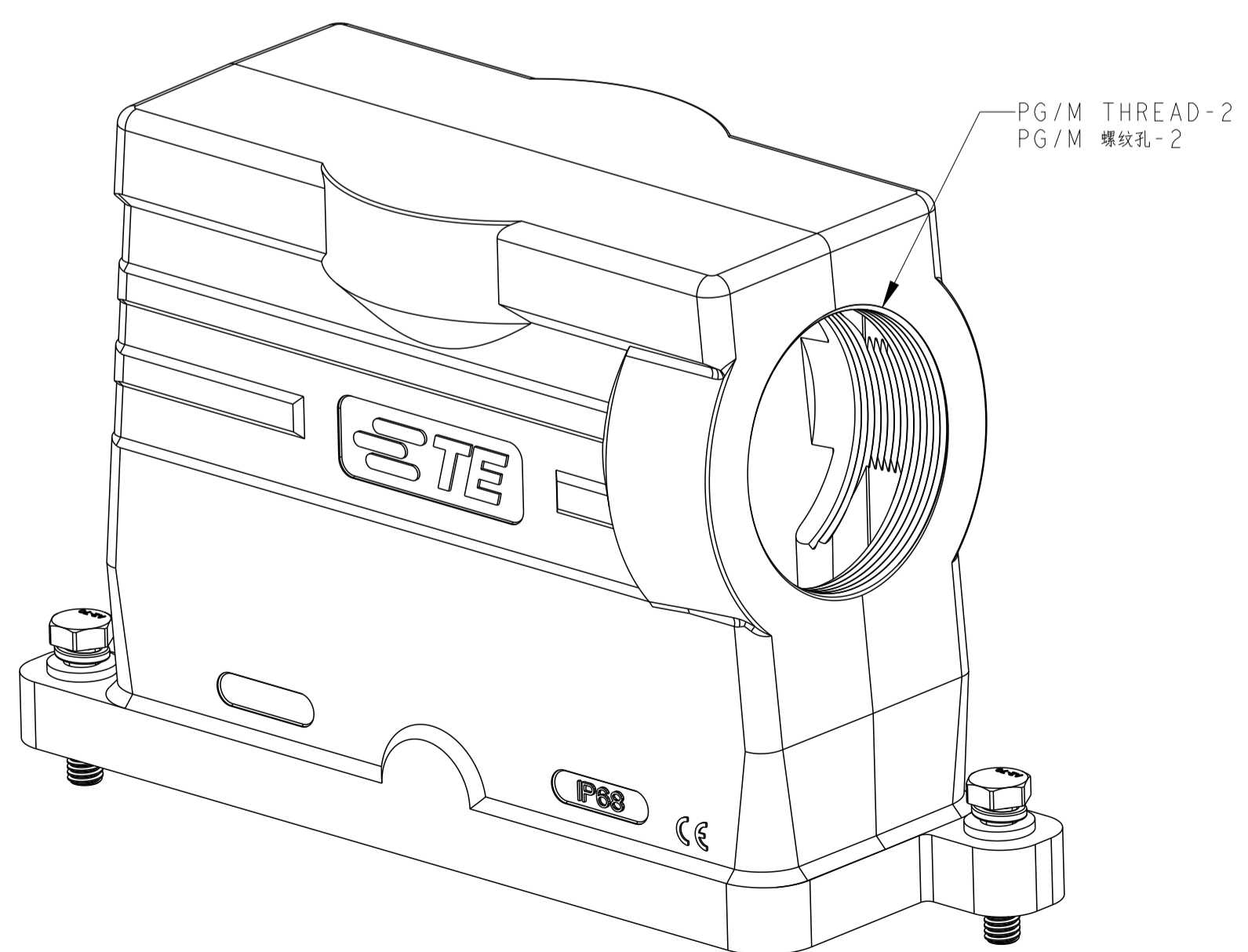
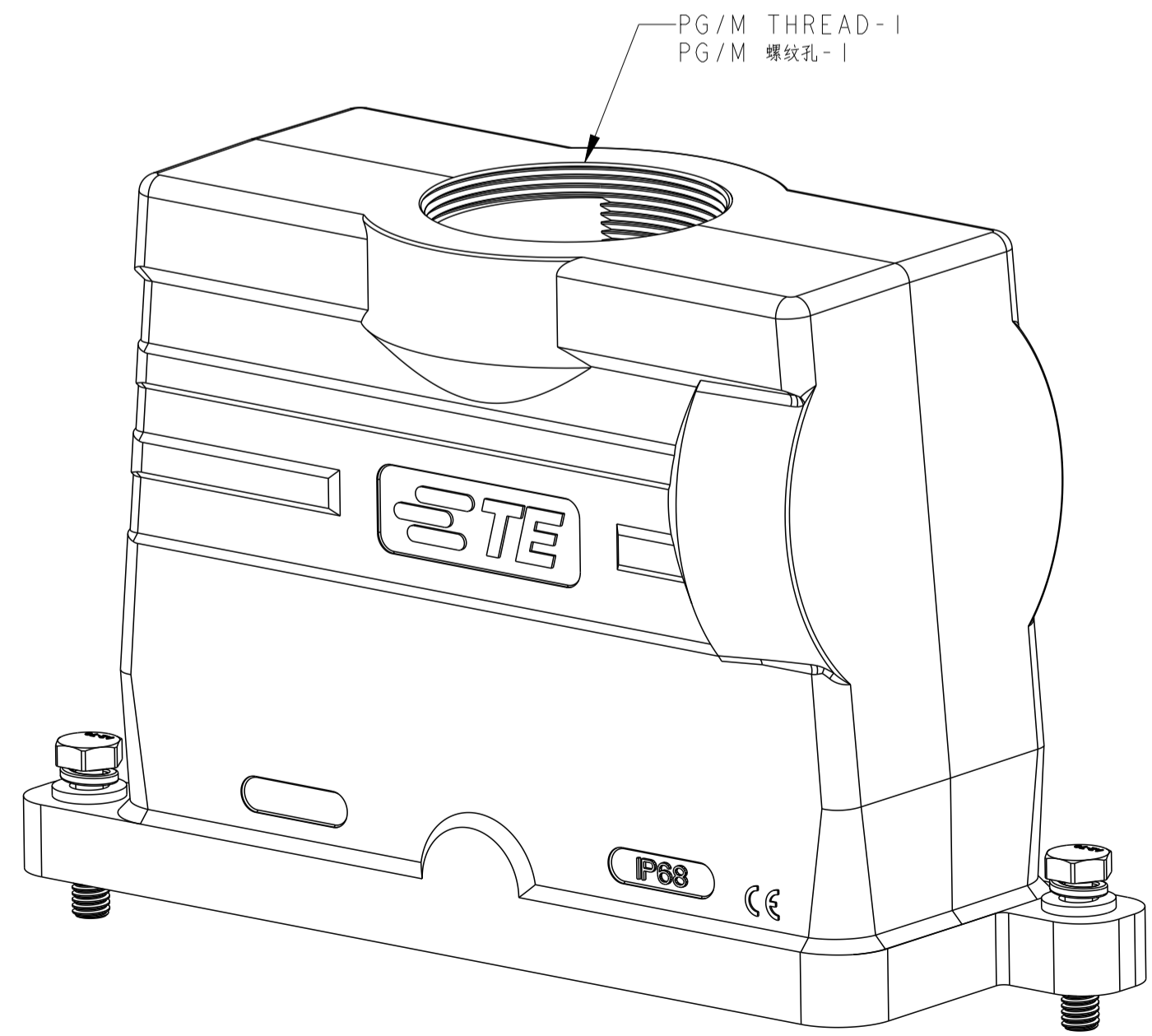
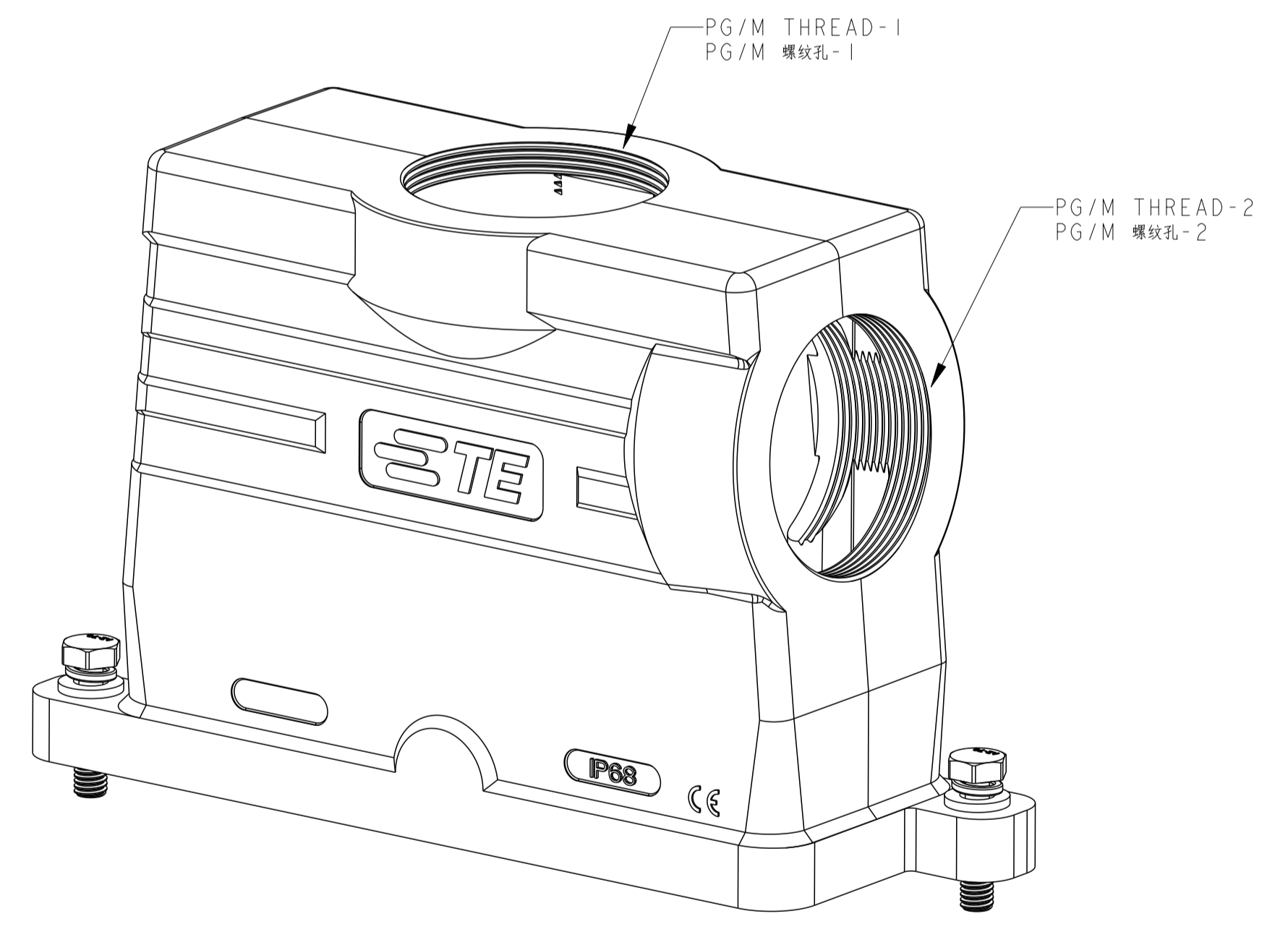
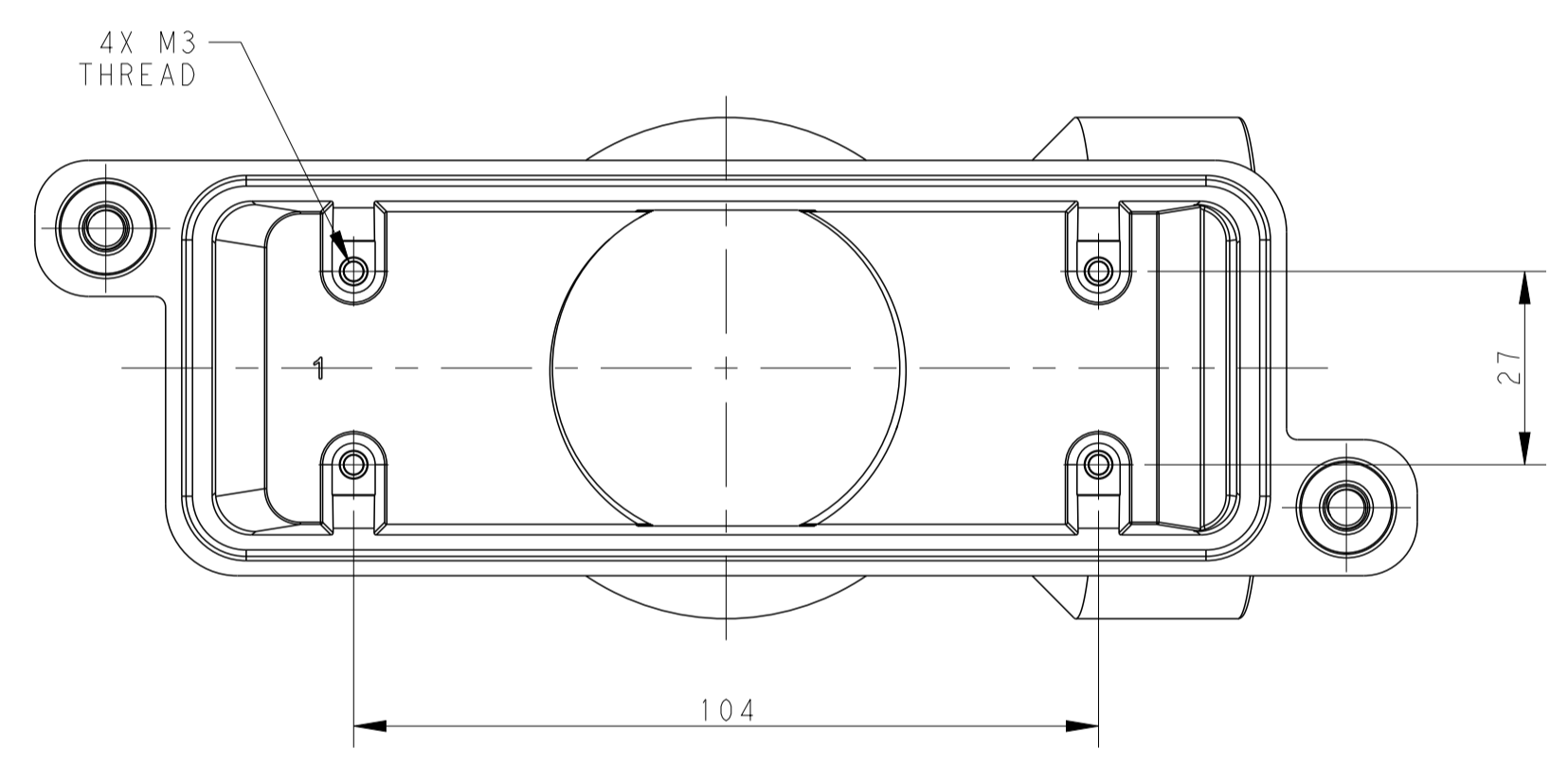
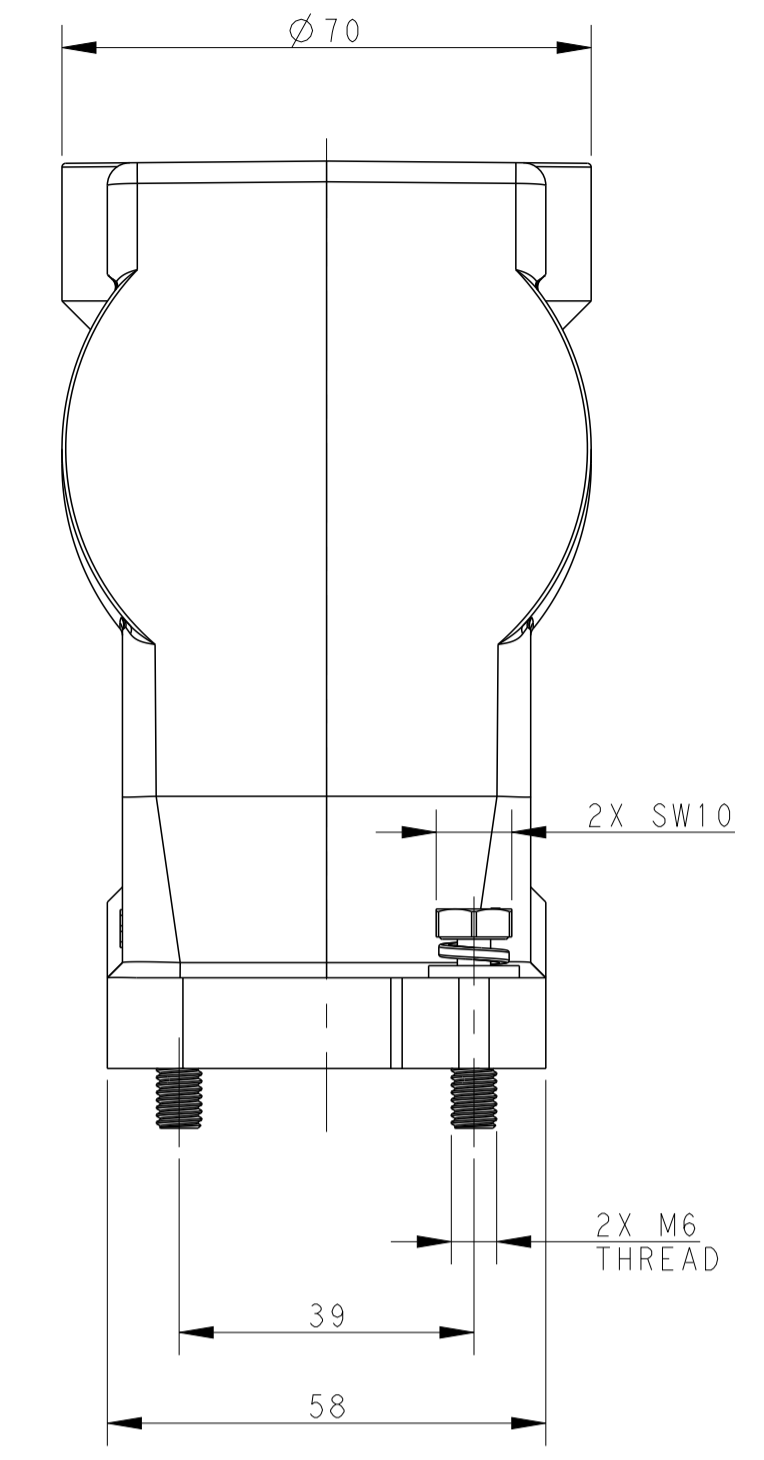
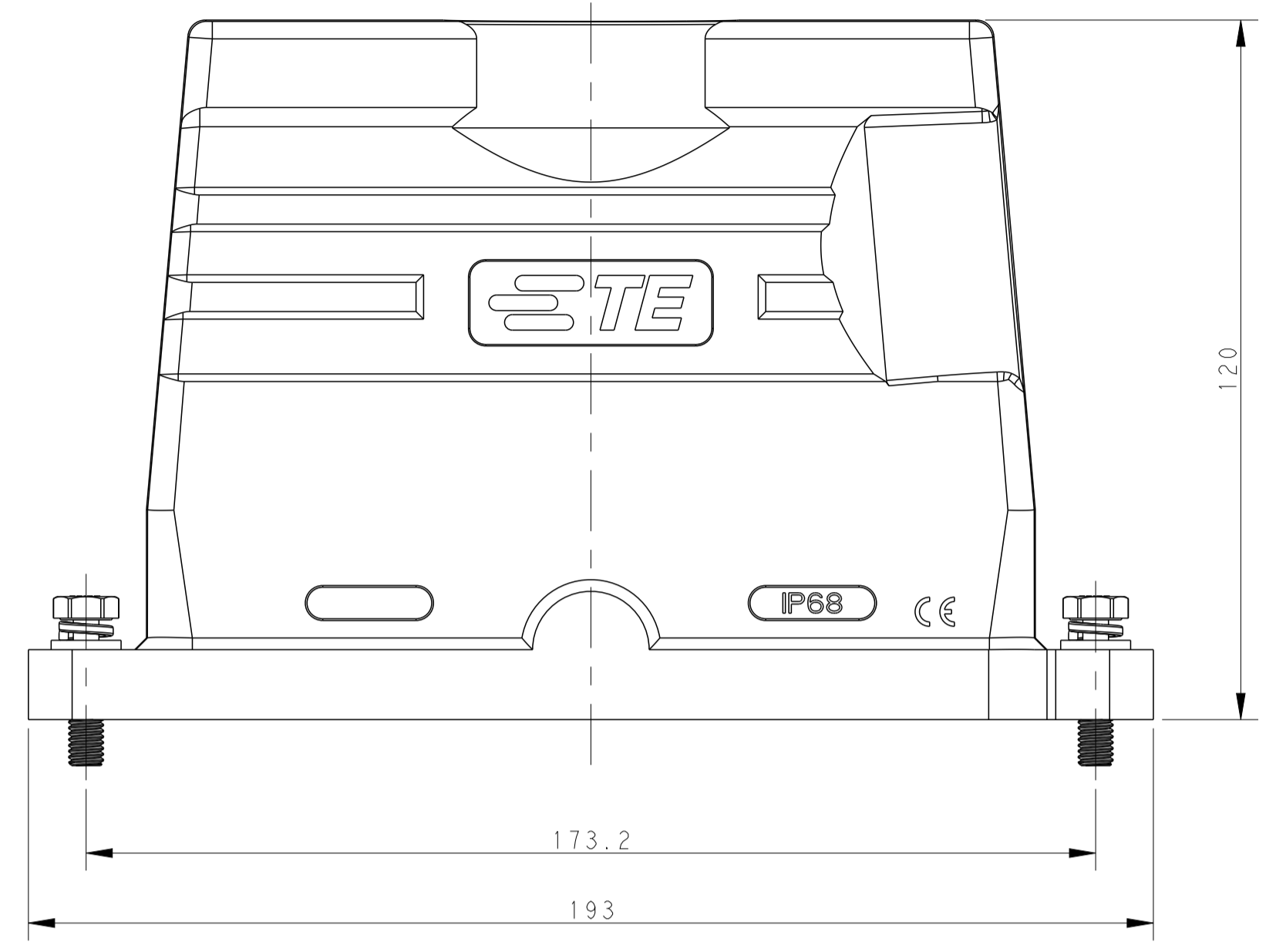


REVISIONS				
P	LTN	DESCRIPTION	DATE	APVD
A		INITIAL	12SEP2016	RL CW
A1		ECR-18-009563	24OCT2018	CD CW
B		ECR-20-014403	20MAY2021	BS CW
B1		ECR-23-166302	23FEB2023	AC CW



TYPE 3: SIDE & TOP ENTRY
 类型 3: 侧顶出

TYPE 1: TOP ENTRY / 类型 1: 顶出

TYPE 2: SIDE ENTRY / 类型 2: 侧出

NOTES:
 1. TECHNICAL CHARACTERISTICS:
 HOOD MATERIAL: ALUMINIUM ALLOY
 SURFACE: SEE TABLE
 DEGREE OF PROTECTION: IP68 (MATED)

注释:
 1. 技术参数:
 外壳材料: 铝合金
 表面处理: 见表格
 防护等级: IP68 (配合)


THIS DRAWING IS A CONTROLLED DOCUMENT.		DWN: ROY LIU 12SEP2016	TE Connectivity
DIMENSIONS: mm		CHK: KYLE ZENG 12SEP2016	
TOLERANCES UNLESS OTHERWISE SPECIFIED:		APVD: CHIRS WANG 12SEP2016	NAME: H24BPR-TGH/TSH-XL-M/PG
0 PLC	±	PRODUCT SPEC	SIZE: A1
1 PLC	±	108-137014	CAGE CODE: -
2 PLC	±	APPLICATION SPEC	DRAWING NO: C-T19X02401XX002
3 PLC	±	114-137014	RESTRICTED TO: -
4 PLC	±	WEIGHT: -	SCALE: 1:1
ANGLES	±	CUSTOMER DRAWING	SHEET 1 OF 2
FINISH	-		REV: B1

THIS DRAWING IS UNPUBLISHED. RELEASED FOR PUBLICATION. COPYRIGHT copyright dbt. ALL RIGHTS RESERVED.

REVISIONS				
P	LTN	DESCRIPTION	DATE	APPD
-	-	SEE SHEET 1	-	-

NOTES:
SEE SHEET 1
注释:
见 SHEET 1

T1900242250-002	H24BPR-TG/SH-XL-2M50	H24BPR HIGHTEN HOOD,DIAGONAL LOCKING,SIDE/TOP ENTRY 2M50, POWDER COATED, GREY H24BPR加高上壳, 对角锁定, 侧顶出2M50, 灰色粉末喷涂	M50	M50	TYPE 3 类型 3
T1910240132-002	H24BPR-TSH-XL-M32	H24BPR HEIGHTEN HOOD,DIAGONAL LOCKING,SIDE ENTRY M32, POWDER COATED, BLACK H24BPR加高上壳, 对角锁定, 侧出M32, 黑色粉末喷涂	-	M32	TYPE 2 类型 2
T1910240140-002	H24BPR-TSH-XL-M40	H24BPR HEIGHTEN HOOD,DIAGONAL LOCKING,SIDE ENTRY M40, POWDER COATED, BLACK H24BPR加高上壳, 对角锁定, 侧出M40, 黑色粉末喷涂	-	M40	
T1910240150-002	H24BPR-TSH-XL-M50	H24BPR HEIGHTEN HOOD,DIAGONAL LOCKING,SIDE ENTRY M50, POWDER COATED, BLACK H24BPR加高上壳, 对角锁定, 侧出M50, 黑色粉末喷涂	-	M50	
T1910240163-002	H24BPR-TSH-XL-M63	H24BPR HEIGHTEN HOOD,DIAGONAL LOCKING,SIDE ENTRY M63, POWDER COATED, BLACK H24BPR加高上壳, 对角锁定, 侧出M63, 黑色粉末喷涂	-	M63	
T1910240129-002	H24BPR-TSH-XL-PG29	H24BPR HEIGHTEN HOOD,DIAGONAL LOCKING,SIDE ENTRY PG29, POWDER COATED, BLACK H24BPR加高上壳, 对角锁定, 侧出PG29, 黑色粉末喷涂	-	PG29	
T1910240136-002	H24BPR-TSH-XL-PG36	H24BPR HEIGHTEN HOOD,DIAGONAL LOCKING,SIDE ENTRY PG36, POWDER COATED, BLACK H24BPR加高上壳, 对角锁定, 侧出PG36, 黑色粉末喷涂	-	PG36	
T1910240142-002	H24BPR-TSH-XL-PG42	H24BPR HEIGHTEN HOOD,DIAGONAL LOCKING,SIDE ENTRY PG42, POWDER COATED, BLACK H24BPR加高上壳, 对角锁定, 侧出PG42, 黑色粉末喷涂	-	PG42	
T1910240148-002	H24BPR-TSH-XL-PG48	H24BPR HEIGHTEN HOOD,DIAGONAL LOCKING,SIDE ENTRY PG48, POWDER COATED, BLACK H24BPR加高上壳, 对角锁定, 侧出PG48, 黑色粉末喷涂	-	PG48	
T1920240132-002	H24BPR-TGH-XL-M32	H24BPR HEIGHTEN HOOD,DIAGONAL LOCKING, TOP ENTRY M32, POWDER COATED, BLACK H24BPR加高上壳, 对角锁定, 顶出M32, 黑色粉末喷涂	M32	-	TYPE 1 类型 1
T1920240140-002	H24BPR-TGH-XL-M40	H24BPR HEIGHTEN HOOD,DIAGONAL LOCKING, TOP ENTRY M40, POWDER COATED, BLACK H24BPR加高上壳, 对角锁定, 顶出M40, 黑色粉末喷涂	M40	-	
T1920240150-002	H24BPR-TGH-XL-M50	H24BPR HEIGHTEN HOOD,DIAGONAL LOCKING, TOP ENTRY M50, POWDER COATED, BLACK H24BPR加高上壳, 对角锁定, 顶出M50, 黑色粉末喷涂	M50	-	
T1920240163-002	H24BPR-TGH-XL-M63	H24BPR HEIGHTEN HOOD,DIAGONAL LOCKING, TOP ENTRY M63, POWDER COATED, BLACK H24BPR加高上壳, 对角锁定, 顶出M63, 黑色粉末喷涂	M63	-	
T1920240129-002	H24BPR-TGH-XL-PG29	H24BPR HEIGHTEN HOOD,DIAGONAL LOCKING, TOP ENTRY PG29, POWDER COATED, BLACK H24BPR加高上壳, 对角锁定, 顶出PG29, 黑色粉末喷涂	PG29	-	
T1920240136-002	H24BPR-TGH-XL-PG36	H24BPR HEIGHTEN HOOD,DIAGONAL LOCKING, TOP ENTRY PG36, POWDER COATED, BLACK H24BPR加高上壳, 对角锁定, 顶出PG36, 黑色粉末喷涂	PG36	-	
T1920240142-002	H24BPR-TGH-XL-PG42	H24BPR HEIGHTEN HOOD,DIAGONAL LOCKING, TOP ENTRY PG42, POWDER COATED, BLACK H24BPR加高上壳, 对角锁定, 顶出PG42, 黑色粉末喷涂	PG42	-	
T1920240148-002	H24BPR-TGH-XL-PG48	H24BPR HEIGHTEN HOOD,DIAGONAL LOCKING, TOP ENTRY PG48, POWDER COATED, BLACK H24BPR加高上壳, 对角锁定, 顶出PG48, 黑色粉末喷涂	PG48	-	
PART NUMBER 料号	PART DESCRIPTION 描述		PG/M THREAD-1 PG/M螺纹孔	PG/M THREAD-2 PG/M螺纹孔	TYPE 类型

THIS DRAWING IS A CONTROLLED DOCUMENT.		OWN ROY LIU 12SEP2016	 TE Connectivity NAME H24BPR-TGH/TSH-XL-M/PG
DIMENSIONS:		CHK KYLE ZENG 12SEP2016	
TOLERANCES UNLESS OTHERWISE SPECIFIED:		APPD CHEBS WANG 12SEP2016	
mm 0 PLC ± 1 PLC ± 2 PLC ± 3 PLC ± 4 PLC ± ANGLES ± FINISH ±		PRODUCT SPEC 108-137014 APPLICATION SPEC 114-137014 WEIGHT CUSTOMER DRAWING	
MATERIAL		SIZE A1	CAGE CODE - DRAWING NO C-T19X02401XX002 RESTRICTED TO - SCALE 1:1 SHEET 2 OF 2 REV B1