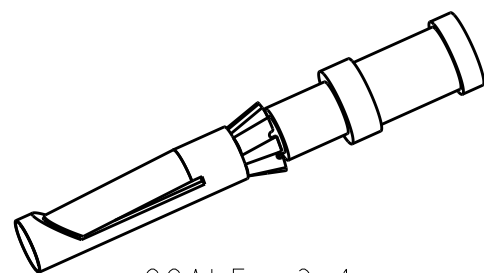


REVISIONS

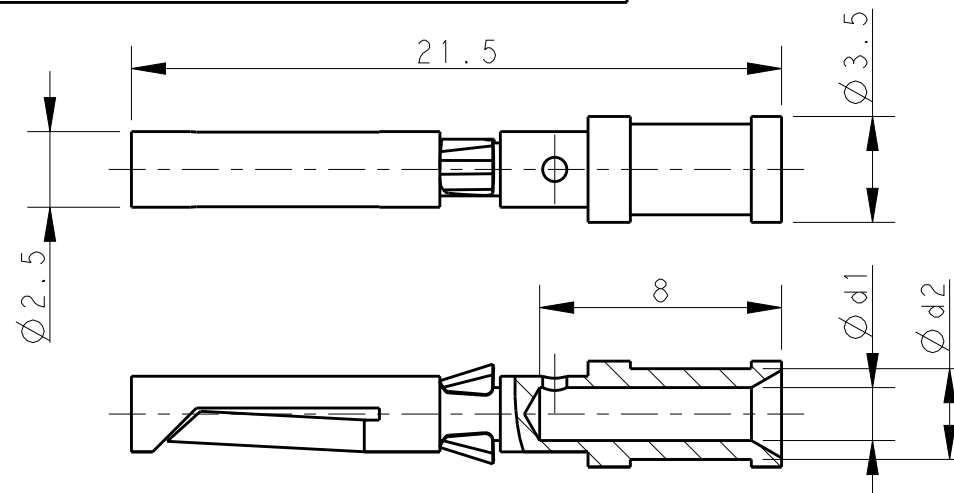
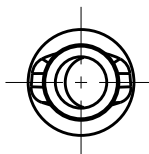
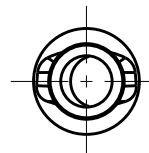
P	LTR	DESCRIPTION	DATE	DWN	APVD
	A	INITIAL RELEASE	30MAY2018	DW	CW



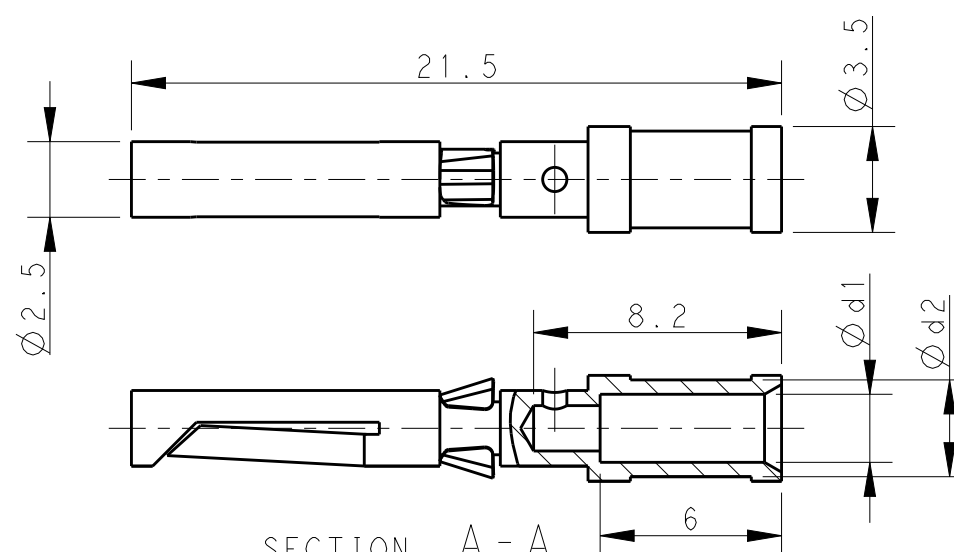
SCALE 3:1

1) $\varnothing d1=0.90, 1.10, 1.30, 1.45, 1.75$

2) $\varnothing d1=2.25$



SECTION A-A



SECTION A-A

NOTES:
 1. TECHNICAL CHARACTERISTICS:
 SOCKET CONTACT MATERIAL: BRASS
 SURFACE PLATING:
 GOLD PLATING: $\geq 0.125\mu m$
 CONTACT RESISTANCE: $\leq 5 m\Omega$
 WIRE RANGE: 0.14-2.5 mm² (26-14 AWG)
 OPERATION TEMPERATURE: -40-+125°C

注释:
 1. 技术参数:
 母针材料: 黄铜
 表面电镀:
 镀金: $\geq 0.125\mu m$
 接触电阻: $\leq 5 m\Omega$
 接线范围: 0.14-2.5 mm² (26-14 AWG)
 工作温度: -40-+125°C

GOLD PLATING 镀金		$\varnothing d1$	$\varnothing d2$	WIRE GAUGE 线规		STRIPPING LENGTH 剥线长度 (mm)
PART NUMBER 料号	PART DESCRIPTION 描述			MM ²	AWG	
T2020022002-000	DDF-T-0.3 DD母针 0.14-0.37mm ² , 镀金	0.90	2.55	0.14-0.37	26-22	8
T2020022005-000	DDF-T-0.5 DD母针 0.5mm ² , 镀金	1.10	2.60	0.5	20	
T2020022008-000	DDF-T-0.75 DD母针 0.75mm ² , 镀金	1.30	2.60	0.75	18	
T2020022010-000	DDF-T-1.0 DD母针 1.0mm ² , 镀金	1.45	2.60	1.0	18	
T2020022015-000	DDF-T-1.5 DD母针 1.5mm ² , 镀金	1.75	3.00	1.5	16	
T2020022025-000	DDF-T-2.5 DD母针 2.5mm ² , 镀金	2.25	3.20	2.5	14	6.2

THIS DRAWING IS A CONTROLLED DOCUMENT.		DWN 30MAY2018 DAVID WANG	STE TE Connectivity	
		CHK 30MAY2018 GINO YAO		
DIMENSIONS: mm		APVD 30MAY2018 CHRIS WANG	NAME CDF/DDF HD/HDD SOCKET CONTACT	
TOLERANCES UNLESS OTHERWISE SPECIFIED: 0 PLC ±- 1 PLC ±- 2 PLC ±- 3 PLC ±- 4 PLC ±- ANGLES ±-		PRODUCT SPEC 108-137042	RESTRICTED TO	
MATERIAL -		APPLICATION SPEC 114-137042	SIZE A3	CAGE CODE 00779
FINISH -		WEIGHT -	DRAWING NO T20200220XX000	
		CUSTOMER DRAWING	SCALE 4:1	SHEET 1 OF 1 REV A