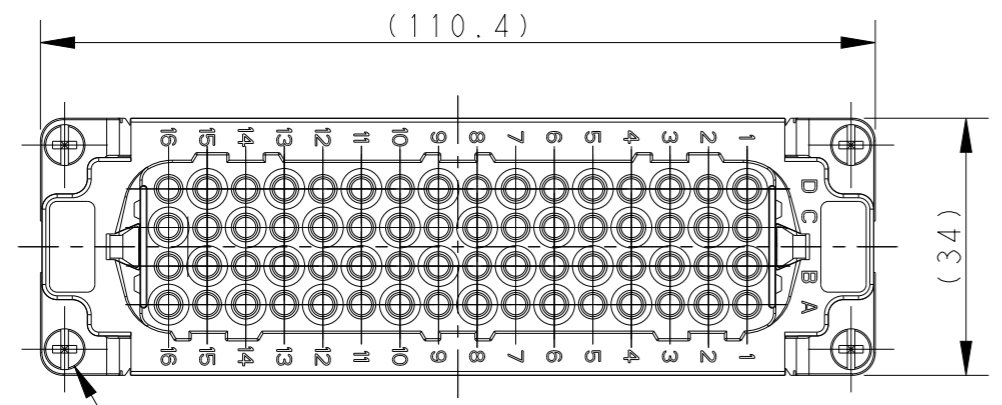


THIS DRAWING IS UNPUBLISHED. RELEASED FOR PUBLICATION 20
 © COPYRIGHT 20 BY - ALL RIGHTS RESERVED.

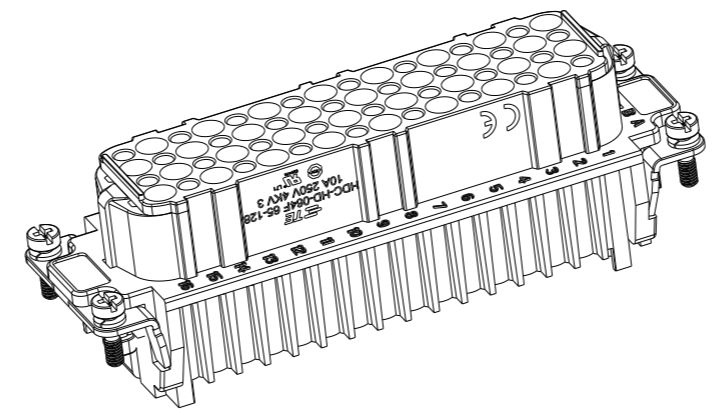
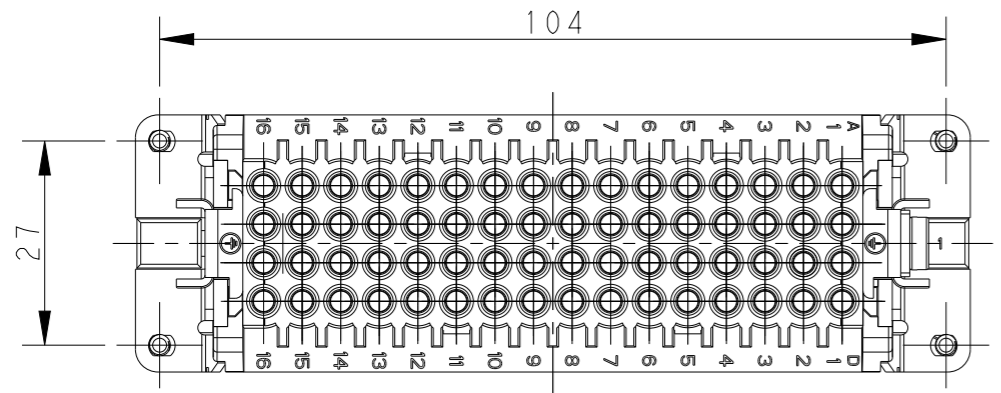
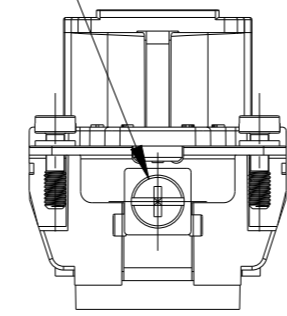
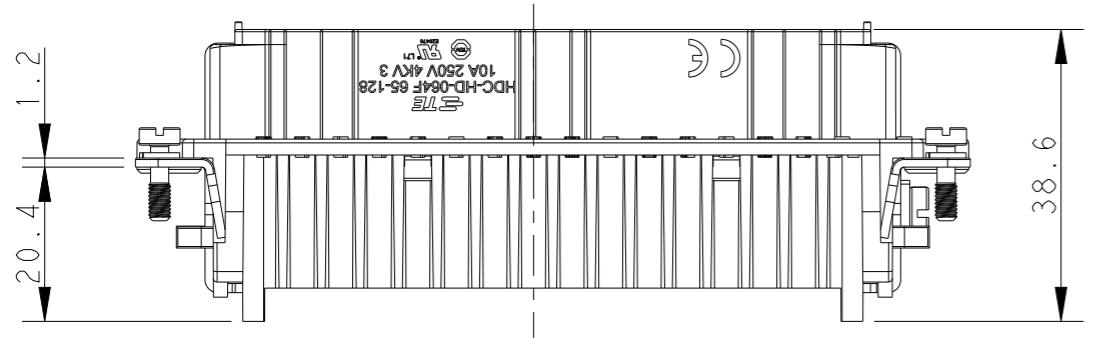
REVISIONS

P	LTR	DESCRIPTION	DATE	DWN	APVD
A		INITIAL	24AUG2018	BS	CW
B		ECR-21-105750	01JUL2021	BS	CW



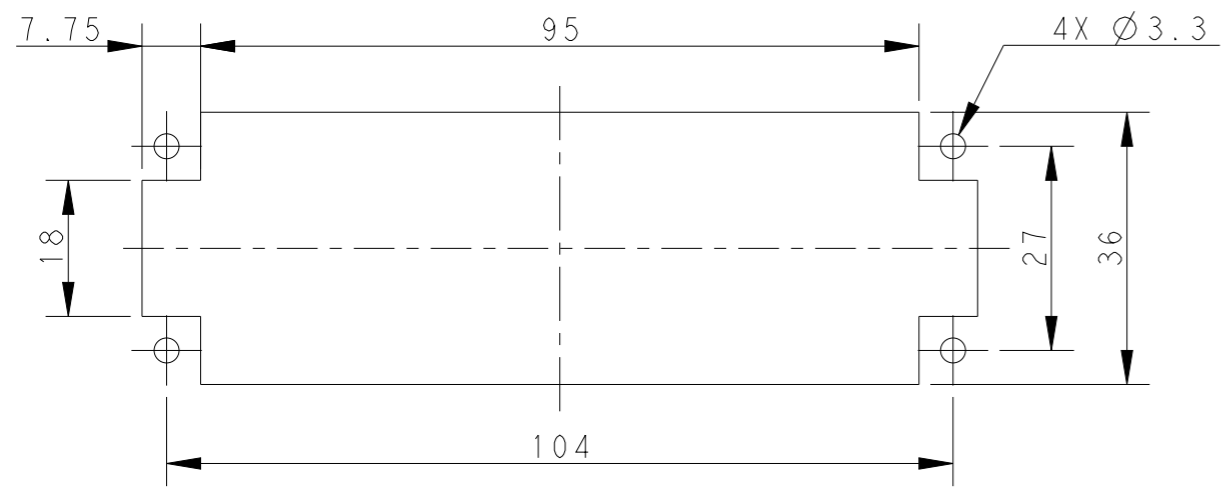
4X M3 SCREW RECOMMENDED
 TIGHTENING TORQUE 0.5Nm
 4X M3螺丝, 推荐锁紧力矩0.5Nm

M4 SCREW RECOMMENDED
 TIGHTENING TORQUE 1.2Nm
 M4 螺丝, 推荐锁紧力矩1.2Nm



- NOTES:
- TECHNICAL CHARACTERISTICS:
 INSULATION MATERIAL: PC
 RATED VOLTAGE: 250 V
 RATED CURRENT: 10 A
 INSULATION RESISTANCE: $\geq 400M\Omega$
 RATED IMPULSE VOLTAGE: 4 KV
 POLLUTION DEGREE: 3
 FLAMMABILITY: UL94V-0
 MATING CYCLES: 500 CYCLES
 WIRE RANGE: 0.14-2.5 mm² (26-14 AWG)
 CONTACT TYPE: CRIMP CONTACT
 - CONTACT NEED TO BE ORDERED SEPARATELY.
 (ORDER No. REFER TO DRAWING:T20200X20XX000)

- 注释:
- 技术参数:
 绝缘材料: PC
 额定电压: 250V
 额定电流: 10A
 绝缘电阻: $\geq 400M\Omega$
 额定脉冲电压: 4 KV
 污染等级: 3
 阻燃等级: UL94V-0
 插拔次数: 500次
 接线范围: 0.14-2.5 mm² (26-14 AWG)
 接线类型: 冷压接
 - 端子需要单独订购.
 (订货号参考图面: T20200X20XX000)



PANEL CUT FOR INSERTS FOR USE WITHOUT HOODS/ HOUSINGS
 不用防护外壳时芯件的安装开孔图

T2021282201-000	HD-064-F 65-128	HD-064 FEMALE INSERT 65-128 HD-064母插 65-128
PART NUMBER 零件料号	PART DESCRIPTION 零件描述	

THIS DRAWING IS A CONTROLLED DOCUMENT.		DWN BELL SU 24AUG2018	STE TE Connectivity	
DIMENSIONS: mm		CHK GINO YAO 24AUG2018		
TOLERANCES UNLESS OTHERWISE SPECIFIED:		APVD CHRIS WANG 24AUG2018	NAME HD-064-F 65-128	
0 PLC ±-		PRODUCT SPEC 108-137042	SIZE	
1 PLC ±-		APPLICATION SPEC 114-137042	CAGE CODE	
2 PLC ±-		WEIGHT -	DRAWING NO	
3 PLC ±-		CUSTOMER DRAWING	RESTRICTED TO	
4 PLC ±-			SCALE 1:1	
ANGLES ±-			SHEET 1 OF 1	
FINISH -			REV B	
MATERIAL -				