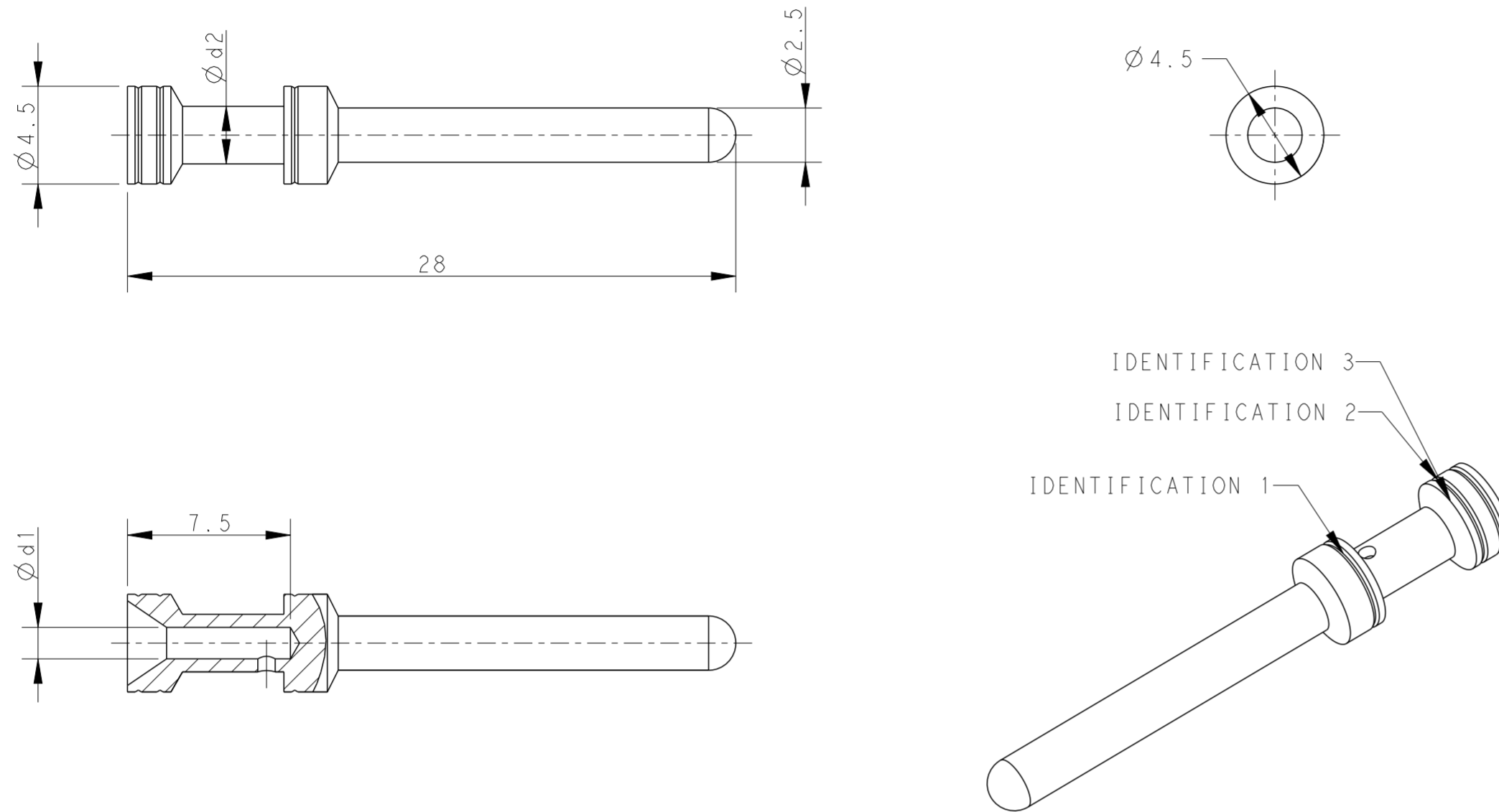


P	LTR	DESCRIPTION	DATE	DWN	APVD
	A	INITIAL	26OCT2021	DW	CW
	A1	ECR-22-130866	04MAR2022	DW	CW
	A2	ECR-23-165126	02FEB2023	DW	CW



NOTES:

- TECHNICAL CHARACTERISTICS:
 CONTACT MATERIAL: BRASS
 SURFACE PLATING: SILVER
 CONTACT RESISTANCE: $\leq 5 \text{ m}\Omega$
 WIRE RANGE: $0.14\text{-}4 \text{ mm}^2$ (26-12 AWG)

注释:

- 技术参数:
 公针材料: 黄铜
 表面电镀: 镀银
 接触电阻: $\leq 5 \text{ m}\Omega$
 接线范围: $0.14\text{-}4 \text{ mm}^2$ (26-12 AWG)

PART NUMBER 料号	PART DESCRIPTION 描述	$\phi d1$	$\phi d2$	WIRE GAUGE 线规		STRIPPING LENGTH 剥线长度 (mm)	IDENTIFICATION 1 识别1 (NUMBER OF GROOVES 沟槽数量)	IDENTIFICATION 2 识别2 (NUMBER OF GROOVES 沟槽数量)	IDENTIFICATION 3 识别3 (NUMBER OF GROOVES 沟槽数量)
				MM ²	AWG				
T2030031002-000	HEM-0.3, SILVER PLATING HEM公针 $0.14\text{-}0.37 \text{ mm}^2$, 镀银, 高插拔	0.90	2.50	0.14-0.37	26-22	7.5	I GROOVE	I GROOVE	I GROOVE
T2030031005-000	HEM-0.5, SILVER PLATING HEM公针 0.5 mm^2 , 镀银, 高插拔	1.15	2.50	0.5	20		NO GROOVE	NO GROOVE	I GROOVE
T2030031008-000	HEM-0.75, SILVER PLATING HEM公针 0.75 mm^2 , 镀银, 高插拔	1.30	2.50	0.75	18		NO GROOVE	I GROOVE	I GROOVE
T2030031010-000	HEM-1.0, SILVER PLATING HEM公针 1.0 mm^2 , 镀银, 高插拔	1.45	2.65	1.0	18		I GROOVE	NO GROOVE	I GROOVE
T2030031015-000	HEM-1.5, SILVER PLATING HEM公针 1.5 mm^2 , 镀银, 高插拔	1.75	3.00	1.5	16		2 GROOVES	NO GROOVE	I GROOVE
T2030031025-000	HEM-2.5, SILVER PLATING HEM公针 2.5 mm^2 , 镀银, 高插拔	2.25	3.45	2.5	14		3 GROOVES	NO GROOVE	I GROOVE
T2030031030-000	HEM-3.0, SILVER PLATING HEM公针 3.0 mm^2 , 镀银, 高插拔	2.55	3.75	3.0	12		I WIDE GROOVE	I GROOVE	I GROOVE
T2030031040-000	HEM-4.0, SILVER PLATING HEM公针 4.0 mm^2 , 镀银, 高插拔	2.85	3.85	4.0	12		NO GROOVE	NO GROOVE	I GROOVE

THIS DRAWING IS A CONTROLLED DOCUMENT.

DWN	DAVID WANG	26OCT2021
CHK	GINO YAO	26OCT2021
APVD	CHRIS WANG	26OCT2021

TE Connectivity

HEM EE PIN CONTACT

SIZE	A2	CAGE CODE	-	DRAWING NO	G-T20300310XX000	RESTRICTED TO	-
SCALE	4:1	SHEET	1 OF 1	REV	A2		

CUSTOMER DRAWING