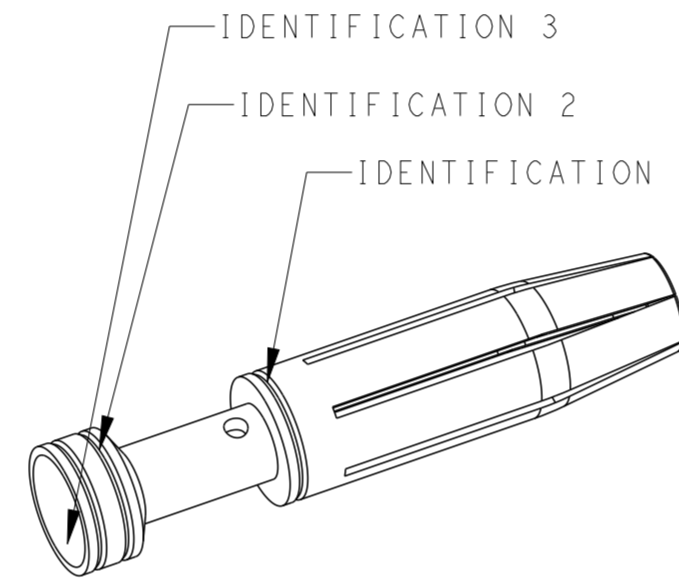
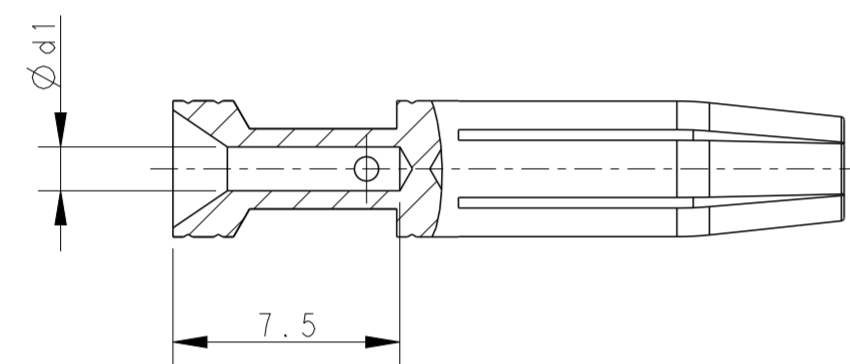
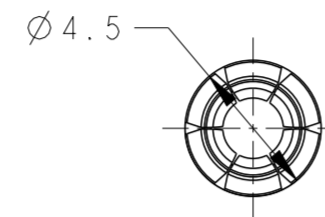
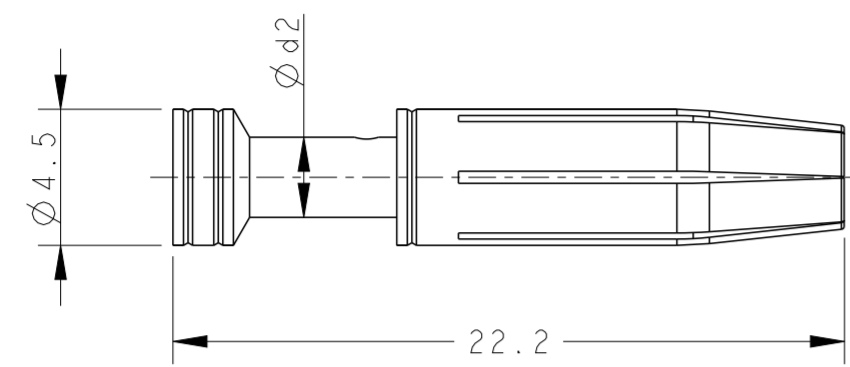


P	LTR	DESCRIPTION	DATE	DWN	APVD
A		INITIAL	26OCT2021	DW	CW
A1		ECR-22-130866	04MAR2022	DW	CW
A2		ECR-23-165126	02FEB2023	DW	CW



NOTES:

- 1. TECHNICAL CHARACTERISTICS:
 CONTACT MATERIAL: BRASS
 SURFACE PLATING: SILVER
 CONTACT RESISTANCE: $\leq 5 \text{ m}\Omega$
 WIRE RANGE: 0.14-4 mm² (26-12 AWG)

注释:

- 1. 技术参数:
 公针材料: 黄铜
 表面电镀: 镀银
 接触电阻: $\leq 5 \text{ m}\Omega$
 接线范围: 0.14-4 mm² (26-12 AWG)

PART NUMBER 料号	PART DESCRIPTION 描述	$\phi d1$	$\phi d2$	WIRE GAUGE 线规		STRIPPING LENGTH 剥线长度 (mm)	IDENTIFICATION 1 识别1 (NUMBER OF GROOVES 沟槽数量)	IDENTIFICATION 2 识别2 (NUMBER OF GROOVES 沟槽数量)	IDENTIFICATION 3 识别3 (NUMBER OF GROOVES 沟槽数量)
				MM ²	AWG				
T2030032002-000	HEF-0.3, SILVER PLATING HEF母针0.14-0.37mm ² , 镀银, 高插拔	0.90	2.50	0.14-0.37	26-22	7.5	1 GROOVE	1 GROOVE	1 GROOVE
T2030032005-000	HEF-0.5, SILVER PLATING HEF母针0.5mm ² , 镀银, 高插拔	1.15	2.50	0.5	20		NO GROOVE	NO GROOVE	1 GROOVE
T2030032008-000	HEF-0.75, SILVER PLATING HEF母针0.75mm ² , 镀银, 高插拔	1.30	2.50	0.75	18		NO GROOVE	1 GROOVE	1 GROOVE
T2030032010-000	HEF-1.0, SILVER PLATING HEF母针1.0mm ² , 镀银, 高插拔	1.45	2.65	1.0	18		1 GROOVE	NO GROOVE	1 GROOVE
T2030032015-000	HEF-1.5, SILVER PLATING HEF母针1.5mm ² , 镀银, 高插拔	1.75	3.00	1.5	16		2 GROOVES	NO GROOVE	1 GROOVE
T2030032025-000	HEF-2.5, SILVER PLATING HEF母针2.5mm ² , 镀银, 高插拔	2.25	3.45	2.5	14		3 GROOVES	NO GROOVE	1 GROOVE
T2030032030-000	HEF-3.0, SILVER PLATING HEF母针3.0mm ² , 镀银, 高插拔	2.55	3.75	3.0	12		1 WIDE GROOVE	1 GROOVE	1 GROOVE
T2030032040-000	HEF-4.0, SILVER PLATING HEF母针4.0mm ² , 镀银, 高插拔	2.85	3.85	4.0	12		NO GROOVE	NO GROOVE	1 GROOVE

THIS DRAWING IS A CONTROLLED DOCUMENT.

DWN: DAVID WANG 26OCT2021
 CHK: GINO YAO 26OCT2021
 APVD: CHRIS WANG 26OCT2021

STE TE Connectivity

NAME: HEF EE SOCKET CONTACT

SIZE: A2 CAGE CODE: 00779 DRAWING NO: T20300320XX000 RESTRICTED TO: -

CUSTOMER DRAWING SCALE: 4:1 SHEET: 1 OF 1 REV: A2