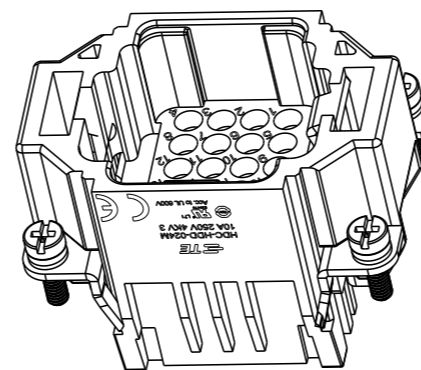
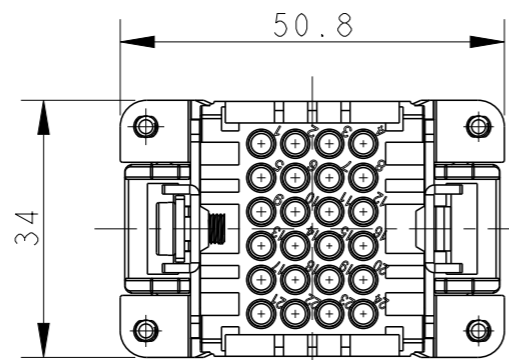


REVISIONS

P	LTR	DESCRIPTION	DATE	DWN	APVD
B1	ECR-16-015492		15NOV2016	QY	CW
C	ECR-21-105887		26JUL2021	BS	CW
D	ECR-22-150866		23SEP2022	DL	CW
D1	ECR-24-209682		27MAY2024	RW	CW



TYPE-1, T2030242101-000, TE LOGO  
 T2030242101-003, STAINLESS  
 STEEL SCREW, TE LOGO  
 类型-1, T2030242101-000, TE LOGO  
 T2030242101-003, 不锈钢螺丝, TE LOGO

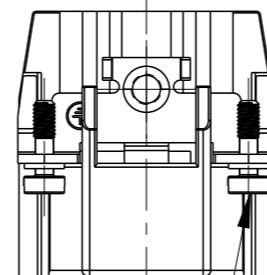
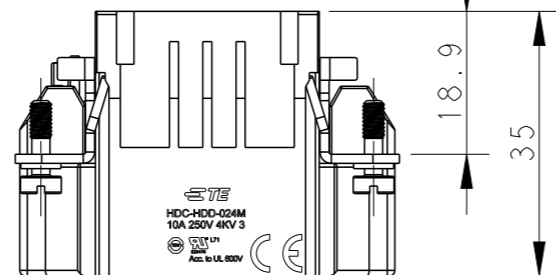
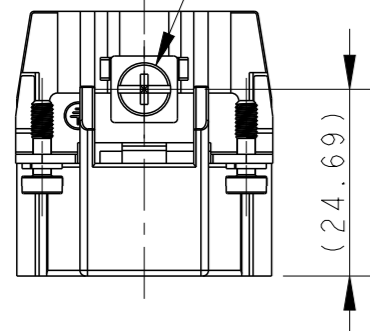
NOTES:

- TECHNICAL CHARACTERISTICS:  
 INSULATION MATERIAL: PC  
 RATED VOLTAGE: 250 V  
 RATED CURRENT: 10 A  
 INSULATION RESISTANCE:  $\geq 400M\Omega$   
 RATED IMPULSE VOLTAGE: 4 KV  
 POLLUTION DEGREE: 3  
 FLAMMABILITY: UL94V-0  
 MATING CYCLES: 500 CYCLES  
 WIRE RANGE: 0.14-2.5 mm<sup>2</sup> (26-14 AWG)  
 CONTACT TYPE: CRIMP CONTACT
- CONTACT NEED TO BE ORDERED SEPARATELY.  
 (ORDER No. REFER TO DRAWING: T20200X10XX000)

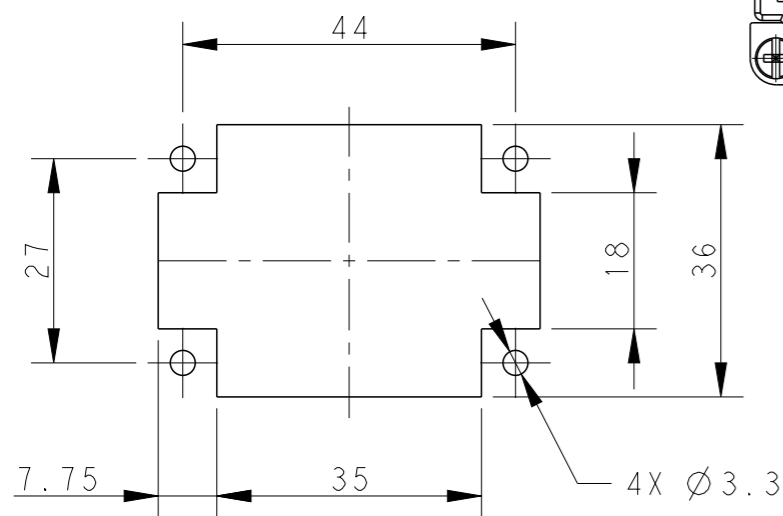
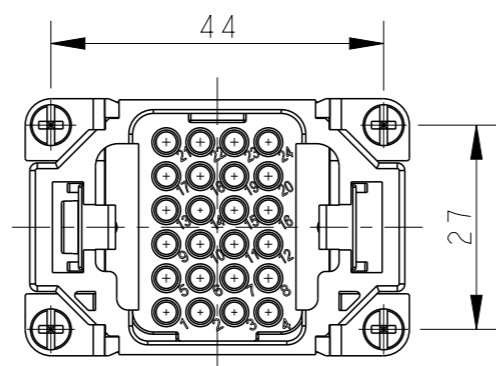
注释:

- 技术参数:  
 绝缘材料: PC  
 额定电压: 250V  
 额定电流: 10A  
 绝缘电阻:  $\geq 400M\Omega$   
 额定脉冲电压: 4 KV  
 污染等级: 3  
 阻燃等级: UL94V-0  
 插拔次数: 500次  
 接线范围: 0.14-2.5 mm<sup>2</sup> (26-14 AWG)  
 接线类型: 冷压接
- 端子需要单独订购.  
 (订货号参考图面: T20200X10XX000)

M4 SCREW RECOMMENDED  
 TIGHTENING TORQUE 1.2Nm  
 M4 螺丝, 推荐锁紧力矩 1.2Nm



4X M3 SCREW RECOMMENDED  
 TIGHTENING TORQUE 0.5Nm  
 4X M3螺丝, 推荐锁紧力矩 0.5Nm



PANEL CUT OUT FOR INSERTS FOR USING  
 WITHOUT HODDS/HOUSINGS  
 不用防护外壳时芯件的安装开孔图

THIS DRAWING IS A CONTROLLED DOCUMENT.

DIMENSIONS:	TOLERANCES UNLESS OTHERWISE SPECIFIED:
mm	
	0 PLC ±-
	1 PLC ±-
	2 PLC ±-
	3 PLC ±-
	4 PLC ±-
	ANGLES ±-
MATERIAL	FINISH
-	-
-	-

DWN	DAVIE LI	16MAR2015
CHK	CHRIS WANG	16MAR2015
APVD	XU XIANG	16MAR2015
PRODUCT SPEC	108-137043	
APPLICATION SPEC	114-137043	
WEIGHT	-	
CUSTOMER DRAWING		

		TE Connectivity	
		NAME: HDD-024-M	
SIZE	CAGE CODE	DRAWING NO	RESTRICTED TO
A3	-	©-T2030242101000	
SCALE		SHEET	REV
1:1		1 OF 2	D1

4

3

2

1

THIS DRAWING IS UNPUBLISHED.

RELEASED FOR PUBLICATION

20

© COPYRIGHT 20 BY -

ALL RIGHTS RESERVED.

REVISIONS

P	LTR	DESCRIPTION	DATE	DWN	APVD
		SEE SHEET 1	-	-	-

NOTE:  
SEE SHEET 1注释:  
见页 1







TYPE-2, T2030242101-002, STAINLESS STEEL SCREW, NO LOGO  
类型-2, T2030242101-002, 不锈钢螺丝, 无LOGO

ALL DIMENSIONS ARE SAME AS TYPE 1,  
EXCEPT THOSE DEFINED IN THIS TYPE.  
除了在本类型中定义的尺寸外, 其它尺寸同类型 |

T2030242101-002	HDD-024-M	HDD-024 MALE INSERT, STAINLESS STEEL SCREW, NO LOGO HDD-024 公插, 不锈钢螺丝, 无LOGO	TYPE-2 类型-2
T2030242101-003	HDD-024-M	HDD-024 MALE INSERT, STAINLESS STEEL SCREW, TE LOGO HDD-024 公插, 不锈钢螺丝, TE LOGO	TYPE-1 类型-1
T2030242101-000	HDD-024-M	HDD-024 MALE INSERT HDD-024 公插	
PART NUMBER 料号	PART DESCRIPTION 描述		TYPE 类型

THIS DRAWING IS A CONTROLLED DOCUMENT.		DWN 16MAR2015 DAVIE LI		
DIMENSIONS: mm		CHK 16MAR2015 CHRIS WANG		
TOLERANCES UNLESS OTHERWISE SPECIFIED:		APVD 16MAR2015 XU XIANG	NAME HDD-024-M	
0 PLC ±-		PRODUCT SPEC 108-137043	SIZE	
1 PLC ±-		APPLICATION SPEC 114-137043	CAGE CODE	
2 PLC ±-		WEIGHT	DRAWING NO	
3 PLC ±-		CUSTOMER DRAWING	RESTRICTED TO	
4 PLC ±-			SCALE 1:1	
ANGLES ±-			SHEET 2 OF 2	
FINISH			REV D1	
MATERIAL			DRAWING NO © T2030242101000	

1470-19 (3/13)