

REVISIONS

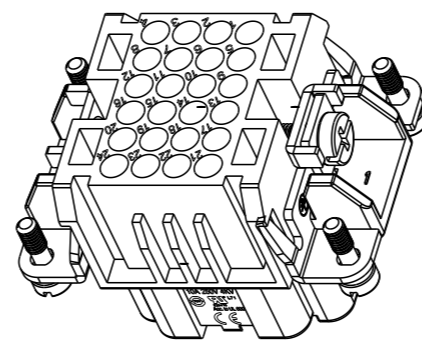
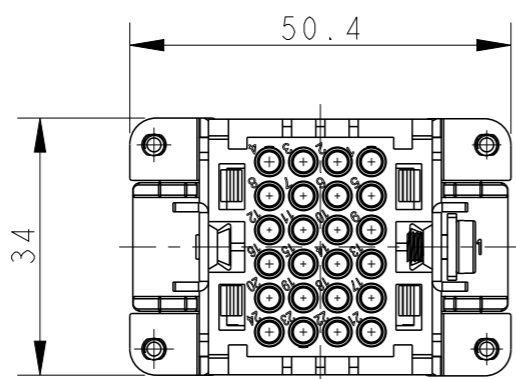
P	LTR	DESCRIPTION	DATE	DWN	APVD
B1	ECR-16-015492		15NOV2016	QY	CW
C	ECR-21-105887		26JUL2021	BS	CW
D	ECR-22-150866		23SEP2022	DL	CW
D1	ECR-24-209682		23MAY2024	RW	CW

NOTES:

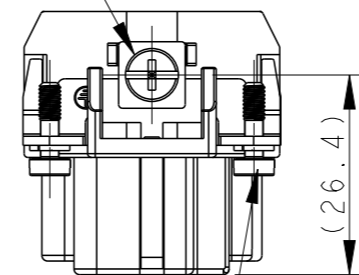
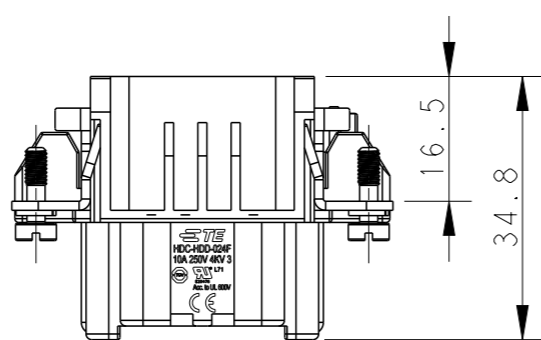
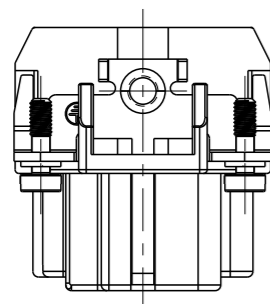
- TECHNICAL CHARACTERISTICS:
 INSULATION MATERIAL: PC
 RATED VOLTAGE: 250 V
 RATED CURRENT: 10 A
 INSULATION RESISTANCE: $\geq 400M\Omega$
 RATED IMPULSE VOLTAGE: 4 KV
 POLLUTION DEGREE: 3
 FLAMMABILITY: UL94V-0
 MATING CYCLES: 500 CYCLES
 WIRE RANGE: 0.14-2.5 mm² (26-14 AWG)
 CONTACT TYPE: CRIMP CONTACT
- CONTACT NEED TO BE ORDERED SEPARATELY.
 (ORDER No. REFER TO DRAWING: T20200X20XX000)

注释:

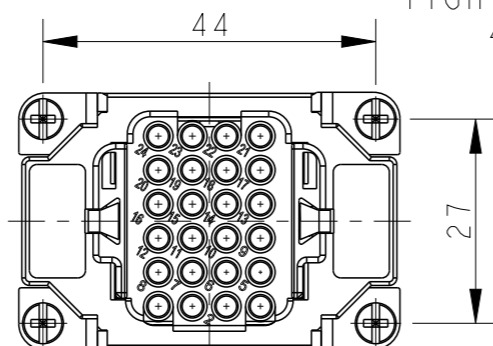
- 技术参数:
 绝缘材料: PC
 额定电压: 250V
 额定电流: 10A
 绝缘电阻: $\geq 400M\Omega$
 额定脉冲电压: 4 KV
 污染等级: 3
 阻燃等级: UL94V-0
 插拔次数: 500次
 接线范围: 0.14-2.5 mm² (26-14 AWG)
 接线类型: 冷压接
- 端子需要单独订购.
 (订货号参考图面: T20200X20XX000)



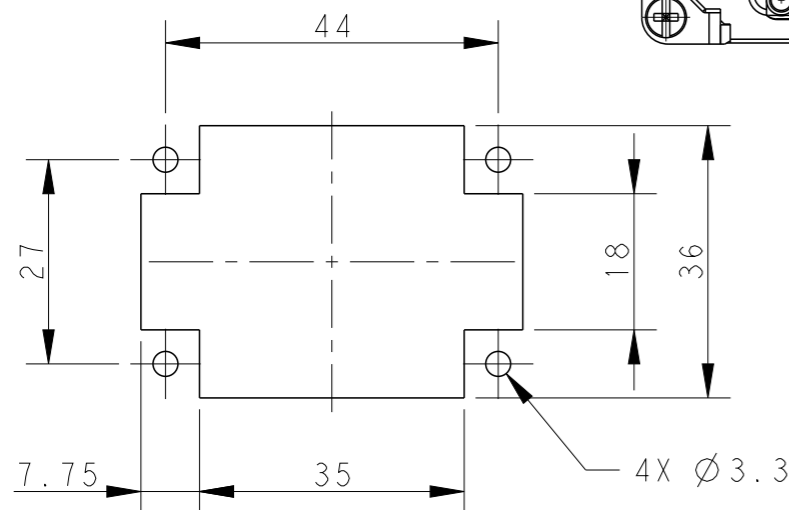
M4 SCREW RECOMMENDED
 TIGHTENING TORQUE 1.2Nm
 M4 螺丝, 推荐锁紧力矩1.2Nm




4X M3 SCREW RECOMMENDED
 TIGHTENING TORQUE 0.5Nm
 4X M3螺丝, 推荐锁紧力矩0.5Nm



TYPE-1, T2030242201-000, TE LOGO
 T2030242201-003, STAINLESS STEEL SCREW, TE LOGO
 类型-1, T2030242201-000, TE LOGO
 T2030242201-003, 不锈钢螺丝, TE LOGO



PANEL CUT OUT FOR INSERTS FOR USING
 WITHOUT HOODS/HOUSINGS
 不用防护外壳时芯件的安装开孔图

THIS DRAWING IS A CONTROLLED DOCUMENT.		DWN	DAVID LI	16MAR2015	 TE Connectivity			
DIMENSIONS: mm		CHK	CHRIS WANG	16MAR2015				
TOLERANCES UNLESS OTHERWISE SPECIFIED:		APVD	XU XIANG	16MAR2015				
0 PLC ±- 1 PLC ±- 2 PLC ±- 3 PLC ±- 4 PLC ±- ANGLES ±-		PRODUCT SPEC	NAME HDD-024-F					
MATERIAL	FINISH	APPLICATION SPEC	108-137043		SIZE	CAGE CODE	DRAWING NO	RESTRICTED TO
-	-	114-137043	WEIGHT		A3	-	©-T2030242201000	
CUSTOMER DRAWING		SCALE		1:1	SHEET		1 OF 2	REV
								D1

THIS DRAWING IS UNPUBLISHED.

RELEASED FOR PUBLICATION

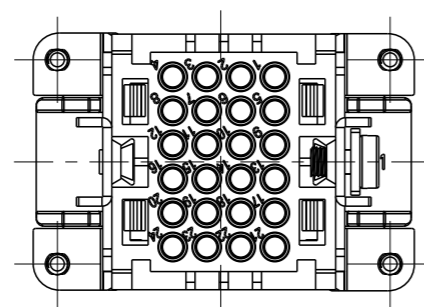
20

© COPYRIGHT 20 BY -

ALL RIGHTS RESERVED.

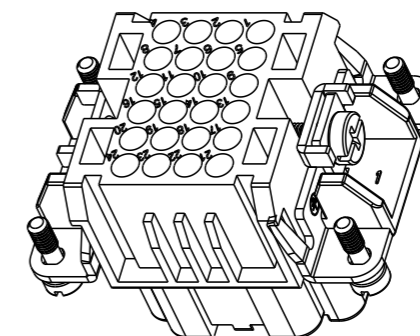
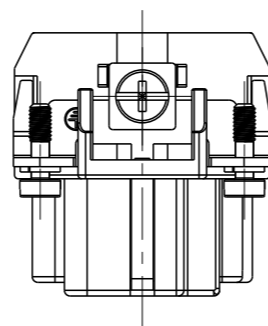
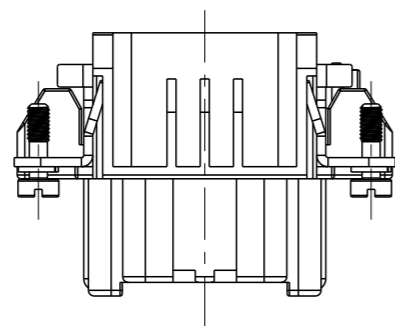
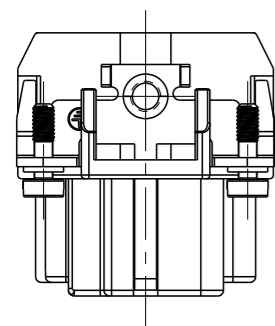
REVISIONS

P	LTR	DESCRIPTION	DATE	DWN	APVD
-	-	SEE SHEET 1	-	-	-

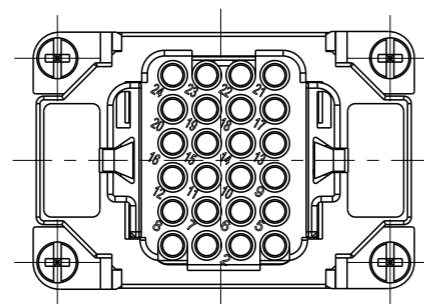


NOTE:
SEE SHEET 1

注释:
见页 1



TYPE-2, T2030242201-002, STAINLESS STEEL SCREW, NO LOGO
类型-2, T2030242201-002, 不锈钢螺丝, 无LOGO



T2030242201-002	HDD-024-F	HDD-024 FEMALE INSERT, CRIMPING SPLIT TYPE, STAINLESS STEEL SCREW, NO LOGO HDD-024 母插, 冷压针分体式, 不锈钢螺丝, 无LOGO	TYPE-2 类型-2
T2030242201-003	HDD-024-F	HDD-024 FEMALE INSERT, CRIMPING SPLIT TYPE STAINLESS STEEL SCREW, TE LOGO HDD-024 母插, 冷压针分体式, 不锈钢螺丝, TE LOGO	TYPE-1 类型-1
T2030242201-000	HDD-024-F	HDD-024 FEMALE INSERT, CRIMPING SPLIT TYPE HDD-024 母插, 冷压针分体式	
PART NUMBER 料号	PART DESCRIPTION 描述		TYPE 类型

ALL DIMENSIONS ARE SAME AS TYPE 1,
EXCEPT THOSE DEFINED IN THIS TYPE.
除了在本类型中定义的尺寸外, 其它尺寸同类型 1

THIS DRAWING IS A CONTROLLED DOCUMENT.

DIMENSIONS:	TOLERANCES UNLESS OTHERWISE SPECIFIED:
mm	
	0 PLC ±-
	1 PLC ±-
	2 PLC ±-
	3 PLC ±-
	4 PLC ±-
	ANGLES ±-
MATERIAL	FINISH
-	-
-	-

DWN	16MAR2015
DAVID LI	
CHK	16MAR2015
CHRIS WANG	
APVD	16MAR2015
XU XIANG	
PRODUCT SPEC	108-137043
APPLICATION SPEC	114-137043
WEIGHT	-
CUSTOMER DRAWING	

TE Connectivity		NAME		RESTRICTED TO
		HDD-024-F		
SIZE	CAGE CODE	DRAWING NO	-	
A3	-	©-T2030242201000	-	
SCALE		SHEET	OF	REV
1:1		2	2	D1