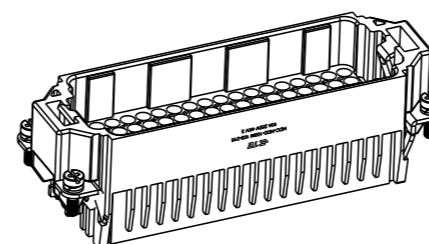
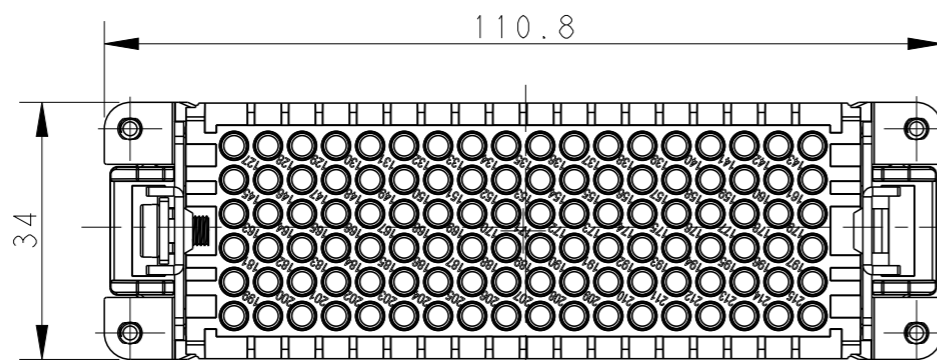


REVISIONS

P	LTR	DESCRIPTION	DATE	DWN	APVD
A		INITIAL RELEASE	23AUG2017	YC	CW
B		ECR-22-150866	27SEP2022	DL	CW



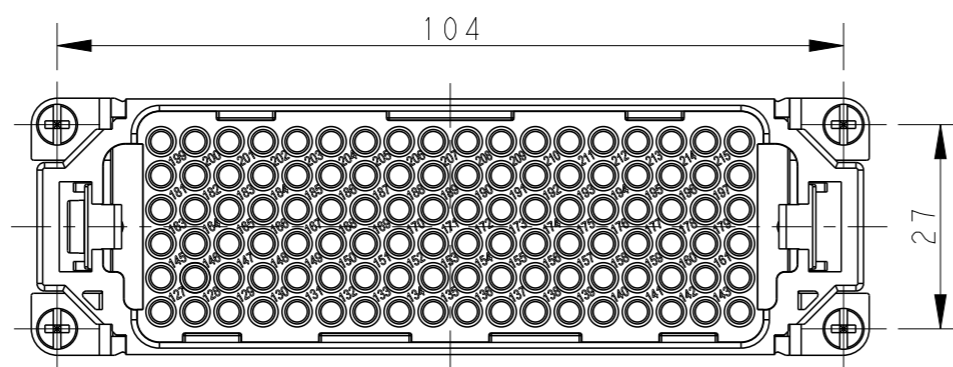
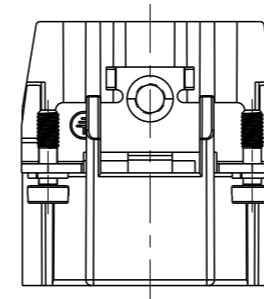
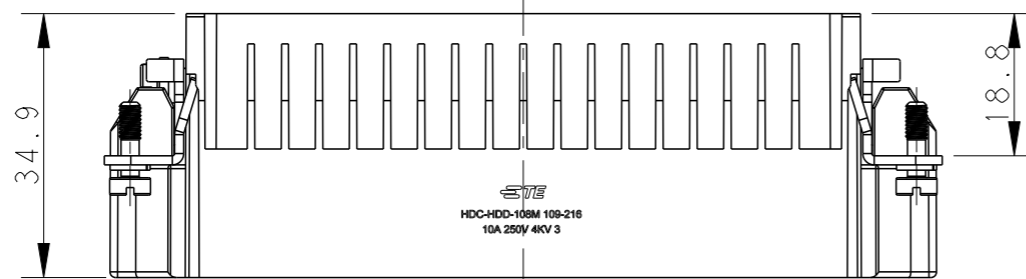
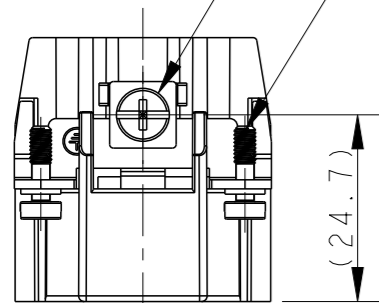
SCALE 1:2

NOTES:

- TECHNICAL CHARACTERISTICS:
 INSULATION MATERIAL: PC
 RATED VOLTAGE: 250 V
 RATED CURRENT: 10 A
 INSULATION RESISTANCE: $\geq 400M\Omega$
 RATED IMPULSE VOLTAGE: 4 KV
 POLLUTION DEGREE: 3
 FLAMMABILITY: UL94V-0
 MATING CYCLES: 500 CYCLES
 WIRE RANGE: 0.14-2.5 mm² (26-14 AWG)
 CONTACT TYPE: CRIMP CONTACT
- CONTACT NEED TO BE ORDERED SEPARATELY.
 (ORDER No. REFER TO DRAWING:T20200X10XX000)

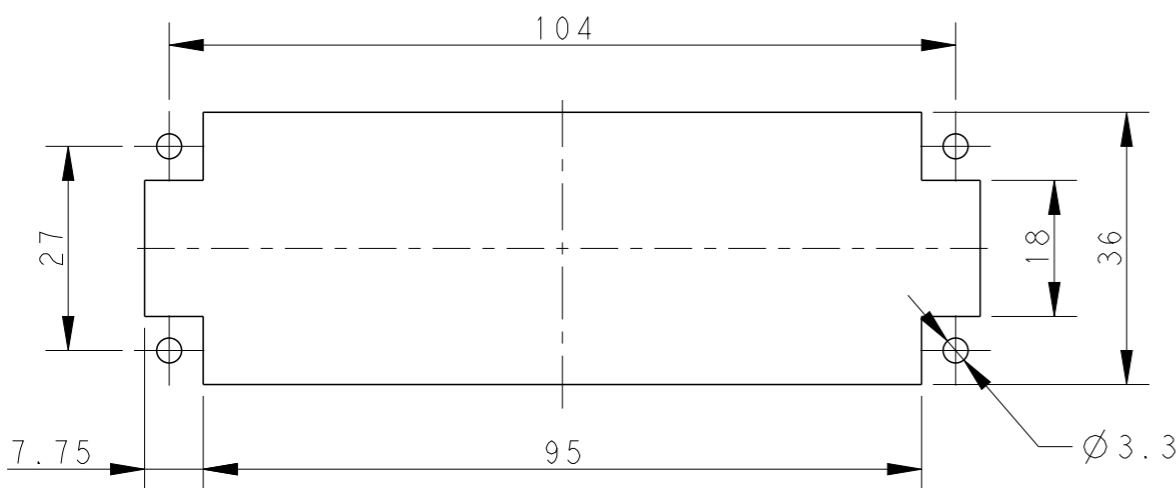
M4 SCREW
 RECOMMENDED TIGHTENING TORQUE 1.2N.m
 M4螺丝, 推荐拧紧力矩 1.2N.m

4X M3 SCREW
 RECOMMENDED TIGHTENING TORQUE 0.5N.m
 4X M3螺丝, 推荐拧紧力矩 0.5N.m



注释:

- 技术参数:
 绝缘材料: PC
 额定电压: 250V
 额定电流: 10A
 绝缘电阻: $\geq 400M\Omega$
 额定脉冲电压: 4 KV
 污染等级: 3
 阻燃等级: UL94V-0
 插拔次数: 500次
 接线范围: 0.14-2.5 mm² (26-14 AWG)
 接线类型: 冷压接
- 端子需要单独订购。
 (订货号参考图面: T20200X10XX000)



PANEL CUT OUT FOR INSERTS FOR USING
 WITHOUT HOODS/HOUSINGS
 不使用防护外壳时平面开孔尺寸

T2032162101-007	HDD-108-M 109-216	HDD-108 MALE INSERT 109-216 HDD-108 公插 109-216
PART NUMBER 料号	PART DESCRIPTION 产品描述	

THIS DRAWING IS A CONTROLLED DOCUMENT.

DIMENSIONS: mm	TOLERANCES UNLESS OTHERWISE SPECIFIED:
	0 PLC ±-
	1 PLC ±-
	2 PLC ±-
	3 PLC ±-
	4 PLC ±-
	ANGLES ±-
MATERIAL	FINISH
-	-
-	-

DWN	23AUG2017
YORK CHEN	
CHK	23AUG2017
GINO YAO	
APVD	23AUG2017
CHRIS WANG	
PRODUCT SPEC	108-137043
APPLICATION SPEC	114-137043
WEIGHT	-
CUSTOMER DRAWING	

STE TE Connectivity

NAME: HDD-108-M 109-216

SIZE	CAGE CODE	DRAWING NO	RESTRICTED TO
A3	-	©-T2032162101007	

SCALE 1:1 SHEET 1 OF 1 REV B