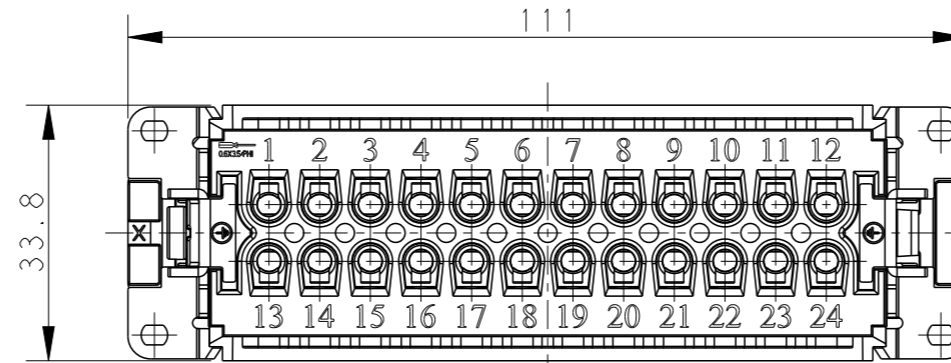
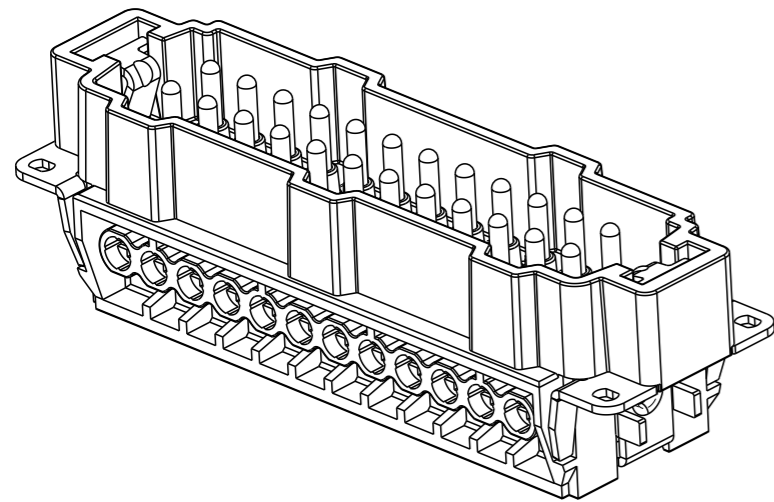


THIS DRAWING IS UNPUBLISHED. RELEASED FOR PUBLICATION 20
 © COPYRIGHT 20 BY - ALL RIGHTS RESERVED.

REVISIONS

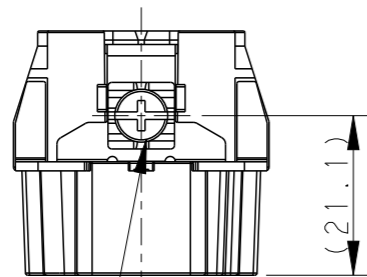
P	LTR	DESCRIPTION	DATE	DWN	APVD
A		INITIAL	02JUN2017	QY	CW
B		ECR-21-106515	12JUL2021	SQ	CW
C		ECR-22-148184	08AUG2022	AC	CW



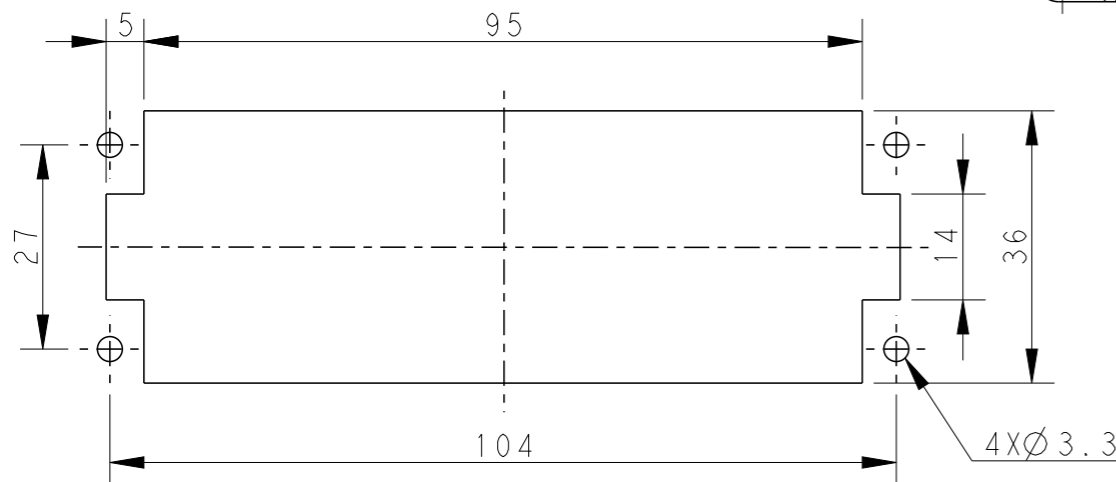
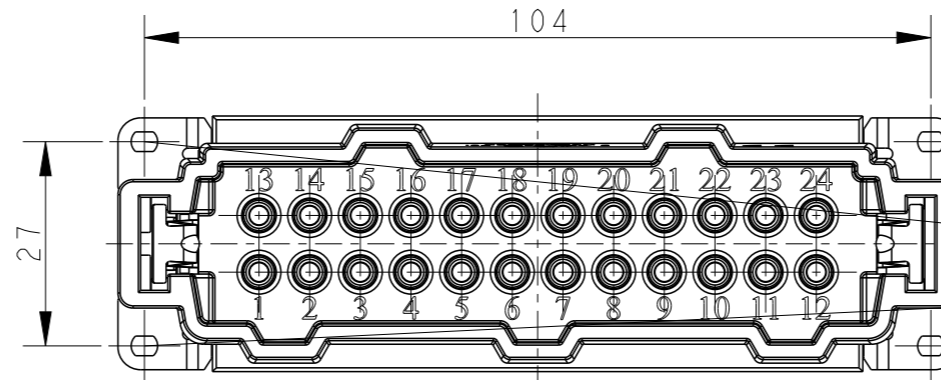
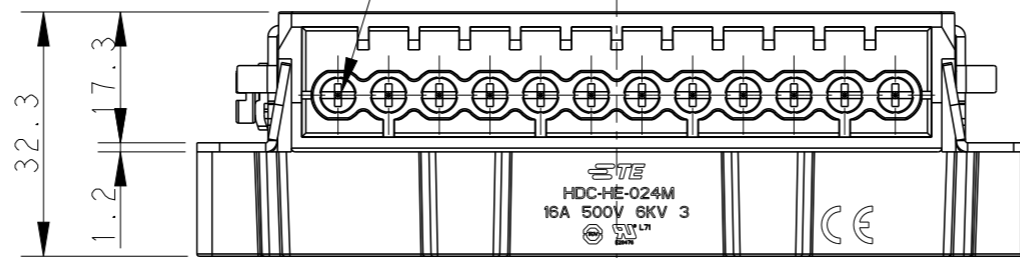
NOTES:
 1. TECHNICAL CHARACTERISTICS:
 INSULATION MATERIAL: PC
 RATED VOLTAGE: 500V
 RATED CURRENT: 16A
 INSULATION RESISTANCE: $\geq 400M\Omega$
 RATED IMPULSE VOLTAGE: 6KV
 POLLUTION DEGREE: 3
 FLAMMABILITY: UL94V-0
 MATING CYCLES: 500 CYCLES
 WIRE RANGE: 0.5mm²~2.5mm² (AWG20-AWG14)
 CONTACT TYPE: SCREW CLAMP (M3)

注释:
 1. 技术参数:
 绝缘材料: PC
 额定电压: 500V
 额定电流: 16A
 绝缘电阻: $\geq 400M\Omega$
 脉冲电压: 6KV
 污染等级: 3
 阻燃等级: UL94V-0
 插拔次数: 500 次
 接线范围: 0.5mm²~2.5mm² (AWG20-AWG14)
 接线类型: 螺丝压接 (M3)

24X M3 SCREW, RECOMMENDED
 TIGHTENING TORQUE 0.5Nm
 24X M3螺丝, 推荐锁紧力矩0.5Nm



M4 SCREW, RECOMMENDED
 TIGHTENING TORQUE 1.2Nm
 M4螺丝, 推荐锁紧力矩1.2Nm



PANEL CUT FOR INSERTS FOR USE
 WITHOUT HOODS/ HOUSINGS
 不使用防护外壳时芯件的安装开孔图

T2040242101-002	HE-024-M	HE-024 MALE INSERT, FIXED SCREW PACKAGE SEPARATELY HE-024 公插, 固定螺丝分开包装
PART NUMBER 料号	PART DESCRIPTION 描述	

THIS DRAWING IS A CONTROLLED DOCUMENT.		DWN 02JUN2017 QIANG YUAN	TE Connectivity	
DIMENSIONS: mm		CHK 02JUN2017 GINO YAO		
TOLERANCES UNLESS OTHERWISE SPECIFIED:		APVD 02JUN2017 CHRIS WANG	NAME HE-024-M	
0 PLC ±-		PRODUCT SPEC 108-137044	SIZE	
1 PLC ±-		APPLICATION SPEC 114-137044	CAGE CODE	
2 PLC ±-		WEIGHT -	DRAWING NO A300779	
3 PLC ±-		CUSTOMER DRAWING	RESTRICTED TO -	
4 PLC ±-			SCALE 1:1	
ANGLES ±-			SHEET 1 OF 1	
FINISH			REV C	