

THIS DRAWING IS UNPUBLISHED.

RELEASED FOR PUBLICATION

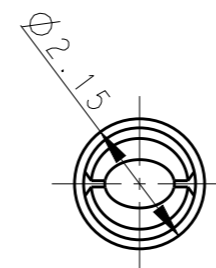
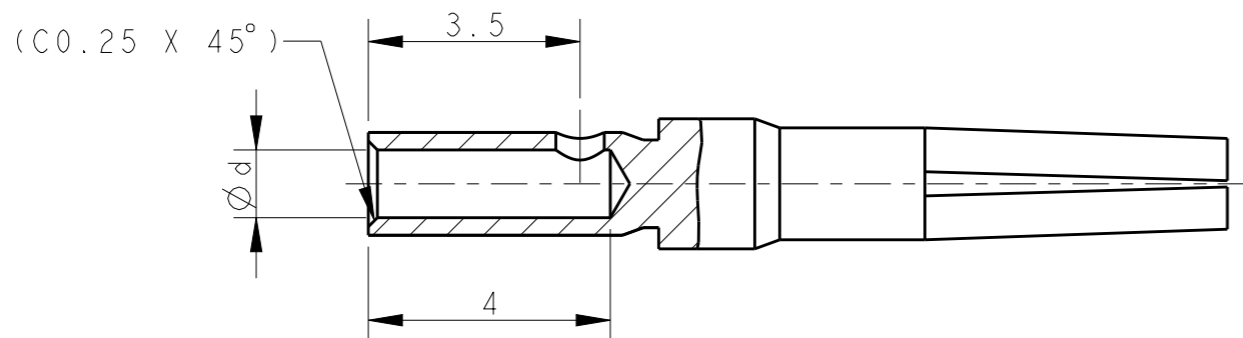
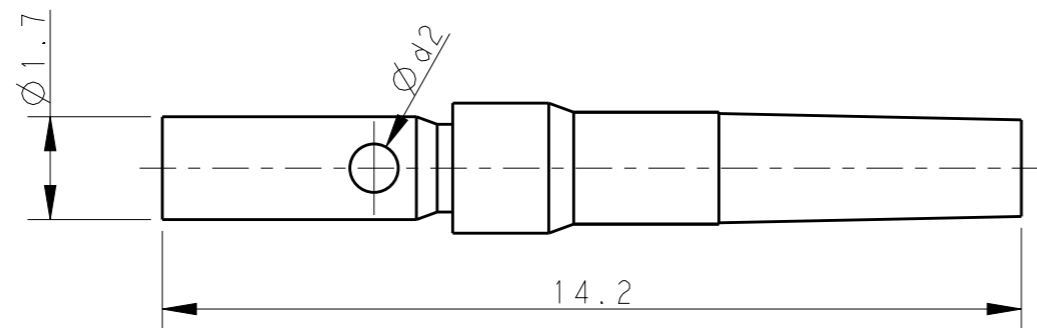
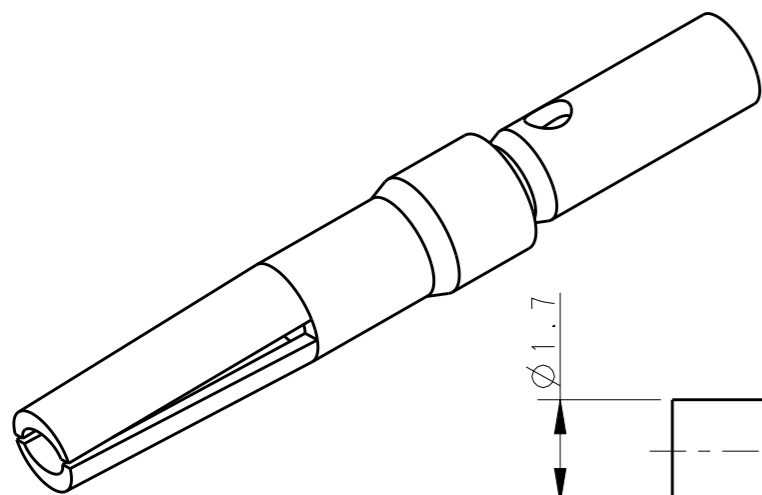
20

© COPYRIGHT 20 BY -

ALL RIGHTS RESERVED.

REVISIONS

P	LTR	DESCRIPTION	DATE	DWN	APVD
	A	INITIAL RELEASE	31MAY2018	DW	CW
	A1	ECR-21-000654	26JAN2021	BS	CW



NOTES:

- 1. TECHNICAL CHARACTERISTICS:  
 CONTACT MATERIAL: BRASS  
 SURFACE PLATING:  
 GOLD PLATING:  $\geq 0.125\mu\text{m}$   
 WIRE RANGE: 0.08-0.52 mm<sup>2</sup> (28-20 AWG)  
 OPERATION TEMPERATURE: -40-+125°C

注释:

- 1. 技术参数:  
 公针材料: 黄铜  
 表面电镀:  
 镀金:  $\geq 0.125\mu\text{m}$   
 接线范围: 0.08-0.52 mm<sup>2</sup> (28-20 AWG)  
 工作温度: -40-+125°C

GOLD PLATING 镀金			$\phi d$	$\phi d2$	WIRE GAUGE 线规		STRIPPING LENGTH 剥线长度 (mm)
PART NUMBER 料号	PART DESCRIPTION 描述				MM <sup>2</sup>	AWG	
T2070022008-000	DAF-T-08	DAF-T-08, GOLD PLATING HMN-025母针 0.08-0.21mm <sup>2</sup> , 镀金	0.7	0.6	0.08-0.21	28-24	4.0
T2070022013-000	DAF-T-13	DAF-T-13, GOLD PLATING HMN-025母针 0.13-0.33mm <sup>2</sup> , 镀金	0.9	0.8	0.13-0.33	26-22	
T2070022033-000	DAF-T-33	DAF-T-33, GOLD PLATING HMN-025母针 0.21-0.52mm <sup>2</sup> , 镀金	1.12	0.8	0.21-0.52	24-20	

THIS DRAWING IS A CONTROLLED DOCUMENT.

DWN 31MAY2018

DAVID WANG

CHK 31MAY2018

GINO YAO

APVD 31MAY2018

CHRIS WANG

PRODUCT SPEC

108-137064

APPLICATION SPEC

114-137064

WEIGHT

-

CUSTOMER DRAWING



TE Connectivity

NAME

CAF/DAF  
D-SUB SOCKET CONTACT

SIZE

CAGE CODE

DRAWING NO

RESTRICTED TO

A3

00779

CAF-T20700220XX000

-

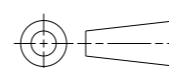
SCALE 8:1

SHEET 1 OF 1

REV A1

DIMENSIONS:

mm



TOLERANCES UNLESS OTHERWISE SPECIFIED:

- 0 PLC ±-
- 1 PLC ±-
- 2 PLC ±-
- 3 PLC ±-
- 4 PLC ±-
- ANGLES ±-

MATERIAL

-

FINISH

-