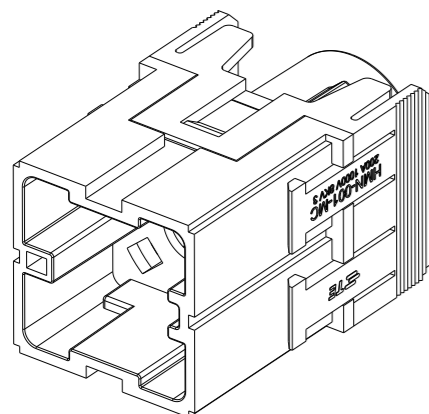
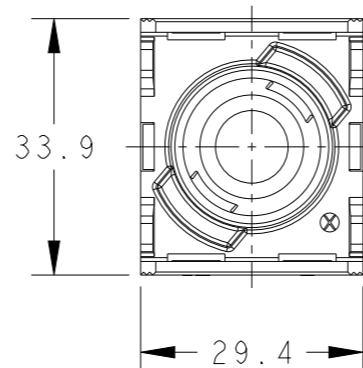


REVISIONS

P	LTR	DESCRIPTION	DATE	DWN	APVD
	A	INITIAL	18MAR2015	DW	CW
	B	ECR-15-018270	07DEC2015	DW	CW
	B1	ECR-18-018974	08DEC2018	WQR	CW
	C	ECR-21-111798	18SEP2021	WQR	CW



T2111013101-000 SHOWN

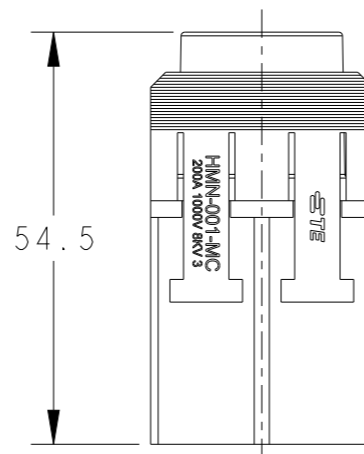
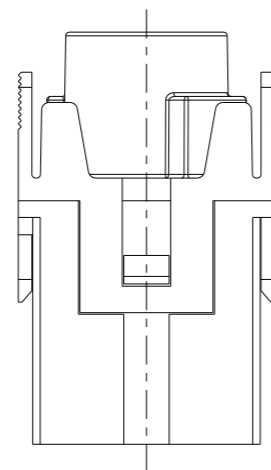
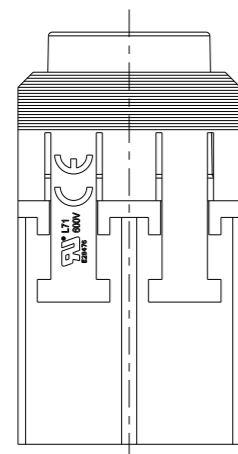


NOTES:

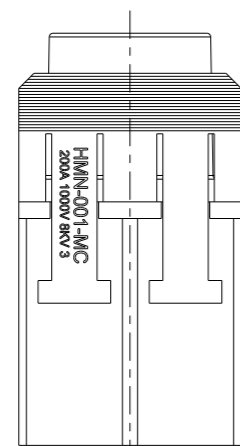
- 1. TECHNICAL CHARACTERISTICS:  
 INSULATION MATERIAL: PC  
 RATED VOLTAGE: 1000V  
 RATED CURRENT: 200A  
 INSULATION RESISTANCE:  $\geq 400M\Omega$   
 RATED IMPULSE VOLTAGE: 8KV  
 POLLUTION DEGREE: 3  
 CONTACT RESISTANCE:  $\leq 0.5m\Omega$   
 FLAMMABILITY: UL94V-0  
 MATING CYCLES: 500 CYCLES  
 WIRE RANGE: 25mm<sup>2</sup>~70mm<sup>2</sup>  
 CONTACT TYPE: CRIMP TYPE.

注释:

- 1. 技术参数:  
 绝缘材料: PC  
 额定电压: 1000V  
 额定电流: 200A  
 绝缘电阻:  $\geq 400M\Omega$   
 脉冲电压: 8KV  
 污染等级: 3  
 接触电阻:  $\leq 0.5m\Omega$   
 阻燃等级: UL94V-0  
 插拔次数: 500次  
 接线范围: 25mm<sup>2</sup>~70mm<sup>2</sup>  
 接线类型: 压接



T2111013101-000: WITH TE LOGO  
 T2111013101-000: 带TE LOGO



T2111013101-001: WITHOUT LOGO  
 T2111013101-001: 不带LOGO

T2111013101-001	HMN-001-MC	HMN-001 MALE MODULE INSERT, CRIMPING, NO LOGO HMN-001 冷压模块公插, 无LOGO
T2111013101-000		HMN-001 MALE MODULE INSERT, CRIMPING HMN-001 冷压模块公插

PART NUMBER 料号	PART DESCRIPTION 描述
-------------------	------------------------

THIS DRAWING IS A CONTROLLED DOCUMENT.		DWN 18MAR2015 David Wang		
DIMENSIONS: mm		CHK 18MAR2015 Chris Wang		
TOLERANCES UNLESS OTHERWISE SPECIFIED:		APVD 18MAR2015 Xiang Xu	NAME HMN-001-MC	
0 PLC ±-		PRODUCT SPEC 108-137057	SIZE	
1 PLC ±-		APPLICATION SPEC 114-137057	CAGE CODE	
2 PLC ±-		WEIGHT	DRAWING NO	
3 PLC ±-		Customer Drawing	A300779	
4 PLC ±-			SCALE 1:1	
ANGLES ±-			SHEET 1 OF 1	
FINISH			REV C	
MATERIAL			RESTRICTED TO	
			©-T2111013101000	