

THIS DRAWING IS UNPUBLISHED.

RELEASED FOR PUBLICATION

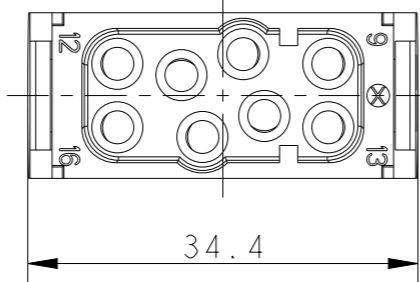
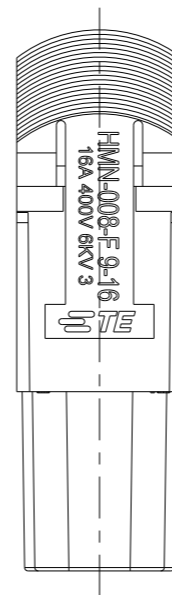
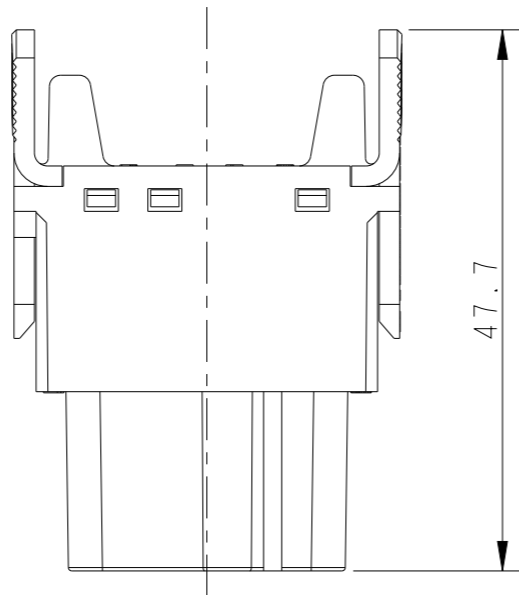
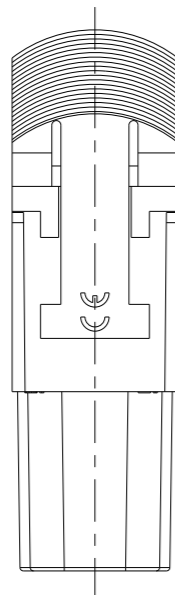
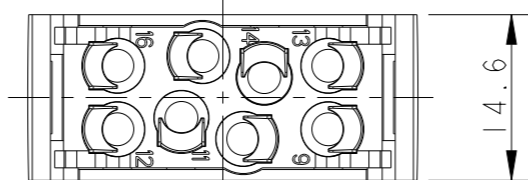
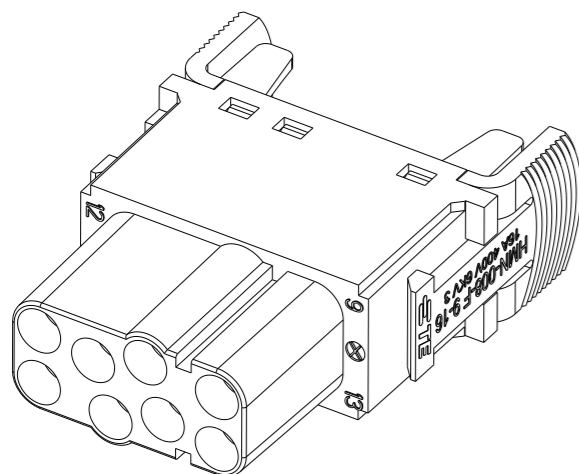
20

© COPYRIGHT 20 BY -

ALL RIGHTS RESERVED.

REVISIONS

P	LTR	DESCRIPTION	DATE	DWN	APVD
	A	INITIAL	04JUL2018	YC	CW
	B	ECR-21-111798	27SEP2021	WQR	CW



NOTES:

- TECHNICAL CHARACTERISTICS:
 INSULATION MATERIAL: PC
 RATED VOLTAGE: 400V
 RATED CURRENT: 16A
 INSULATION RESISTANCE: $\geq 400M\Omega$
 RATED IMPULSE VOLTAGE: 6KV
 POLLUTION DEGREE: 3
 FLAMMABILITY: UL94V-0
 MATING CYCLES: 500 CYCLES
 WIRE RANGE: 0.14~4 mm² (26~12 AWG)
 CONTACT TYPE: CRIMP CONTACT
- CONTACT NEED TO BE ORDERED SEPARATELY.
 (ORDER No. REFER TO DRAWING:T20300X20XX000)

注释:

- 技术参数:
 绝缘材料: PC
 额定电压: 400V
 额定电流: 16A
 绝缘电阻: $\geq 400M\Omega$
 额定脉冲电压: 6KV
 污染等级: 3
 阻燃等级: UL94V-0
 插拔次数: 500次
 接线范围: 0.14~4 mm² (26~12 AWG)
 接线类型: 冷压接
- 端子需要单独订购。
 (订货号参考图面: T20300X20XX000)

T2111082201-100	HMN-008-F 9-16	HMN-008 FEMALE MODULE INSERT 9-16 HMN-008 模块母插, 9-16
PART NUMBER 成品料号	PART DESCRIPTION 产品描述	

THIS DRAWING IS A CONTROLLED DOCUMENT.		DWN 04JUL2018 YORK CHEN												
DIMENSIONS: mm		CHK 04JUL2018 GINO YAO												
TOLERANCES UNLESS OTHERWISE SPECIFIED:		APVD 04JUL2018 CHRIS WANG												
<table border="1"> <tr> <td>0 PLC</td> <td>±-</td> </tr> <tr> <td>1 PLC</td> <td>±-</td> </tr> <tr> <td>2 PLC</td> <td>±-</td> </tr> <tr> <td>3 PLC</td> <td>±-</td> </tr> <tr> <td>4 PLC</td> <td>±-</td> </tr> <tr> <td>ANGLES</td> <td>±-</td> </tr> </table>		0 PLC			±-	1 PLC	±-	2 PLC	±-	3 PLC	±-	4 PLC	±-	ANGLES
0 PLC	±-													
1 PLC	±-													
2 PLC	±-													
3 PLC	±-													
4 PLC	±-													
ANGLES	±-													
MATERIAL	FINISH	PRODUCT SPEC 108-137061	SIZE	CAGE CODE	DRAWING NO	RESTRICTED TO								
-	-	APPLICATION SPEC 114-137061	A3	00779	©-T2111082201100	-								
CUSTOMER DRAWING		WEIGHT	SCALE		SHEET	REV								
-		-	3:2		1 OF 1	B								