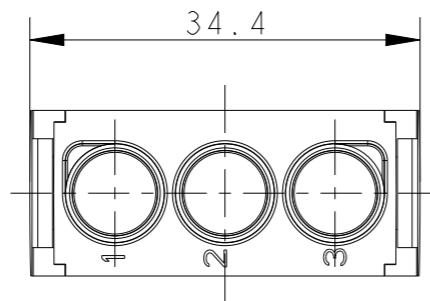
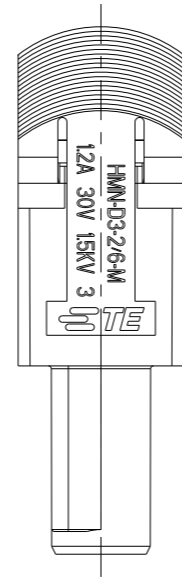
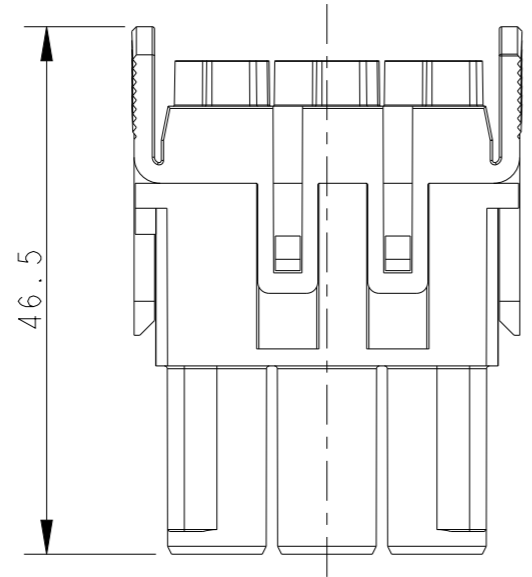
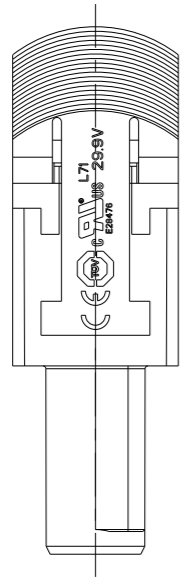
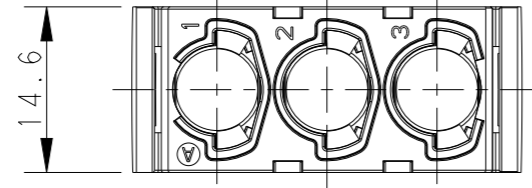
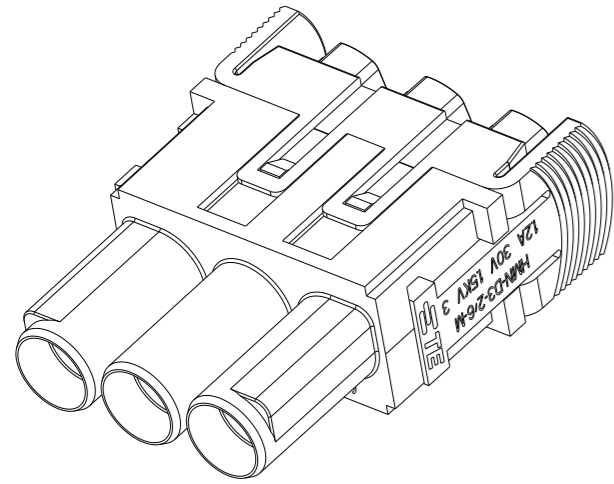


P	LTR	DESCRIPTION	DATE	DWN	APVD
	A	INITIAL	15NOV2019	DW	CW
	A1	ECR-20-008707	29JUN2020	DW	CW
	B	ECR-21-111798	07OCT2021	WQR	CW



NOTES:

- TECHNICAL CHARACTERISTICS:
 INSULATION MATERIAL: PC
 RATED VOLTAGE: 30V
 RATED CURRENT: 1.2A
 INSULATION RESISTANCE: $\geq 400M\Omega$
 RATED IMPULSE VOLTAGE: 1.5KV
 POLLUTION DEGREE: 3
 FLAMMABILITY: UL94V-0
 MATING CYCLES: 500 CYCLES
 TEMPERATURE RANGE: $-20\sim+125^{\circ}C$
 WIRE RANGE: FOR 210 DATE: $0.14\sim 1.0\text{ mm}^2$ (26~18 AWG)
 FOR 606 DATE: $0.08\sim 0.34\text{ mm}^2$ (28~22 AWG)
 CONTACT TYPE: CRIMP CONTACT
- DATA ELEMENT NEED TO BE ORDERED SEPARATELY.
 (ORDER No. REFER TO PARTS:
 FOR 210 DATE: 40.A722.00 + 61.253.11;
 FOR 606 DATE: 40.A703.00 + 61.252.11)

注释:

- 技术参数:
 绝缘材料: PC
 额定电压: 30V
 额定电流: 1.2A
 绝缘电阻: $\geq 400M\Omega$
 额定脉冲电压: 1.5KV
 污染等级: 3
 阻燃等级: UL94V-0
 插拔次数: 500次
 温度范围: $-20\sim+125^{\circ}C$
 接线范围: 210数据传输模块: $0.14\sim 1.0\text{ mm}^2$ (26~18 AWG)
 606数据传输模块: $0.08\sim 0.34\text{ mm}^2$ (28~22 AWG)
 接线类型: 冷压接
- 数据传输模块需要单独订购。
 (订货号参考: 210数据传输模块: 40.A722.00 + 61.253.11
 606数据传输模块: 40.A703.00 + 61.252.11)

T2115032101-000	HMN-D3-2/6-M	HMN-D3-2/6 MALE MODULE INSERT HMN-D3-2/6 模块公插
PART NUMBER 料号	PART DESCRIPTION 描述	

THIS DRAWING IS A CONTROLLED DOCUMENT.		DWN 12JUL2019 DAVID WANG												
DIMENSIONS: mm		CHK 12JUL2019 GINO YAO												
TOLERANCES UNLESS OTHERWISE SPECIFIED:		APVD 12JUL2019 CHRIS WANG												
<table border="0"> <tr><td>0 PLC</td><td>±-</td></tr> <tr><td>1 PLC</td><td>±-</td></tr> <tr><td>2 PLC</td><td>±-</td></tr> <tr><td>3 PLC</td><td>±-</td></tr> <tr><td>4 PLC</td><td>±-</td></tr> <tr><td>ANGLES</td><td>±-</td></tr> </table>		0 PLC			±-	1 PLC	±-	2 PLC	±-	3 PLC	±-	4 PLC	±-	ANGLES
0 PLC	±-													
1 PLC	±-													
2 PLC	±-													
3 PLC	±-													
4 PLC	±-													
ANGLES	±-													
MATERIAL	FINISH	PRODUCT SPEC 108-137419	SIZE	CAGE CODE	DRAWING NO	RESTRICTED TO								
-	-	APPLICATION SPEC 114-137419	A3	00779	©-T2115032101000									
RESTRICTED CUSTOMER			SCALE	SHEET	OF	REV								
			3:2	1	1	B								