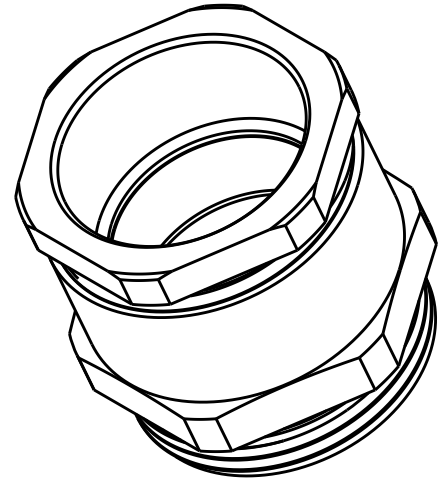
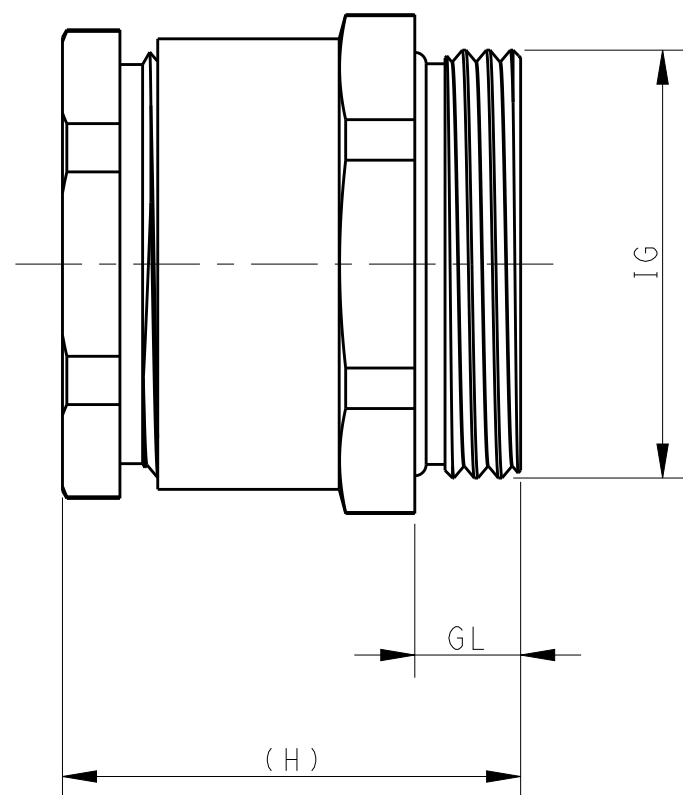
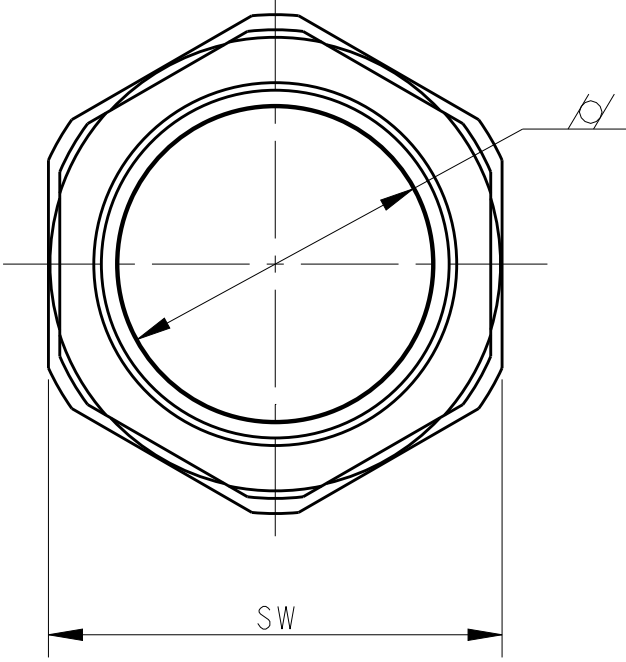


THIS DRAWING IS UNPUBLISHED. RELEASED FOR PUBLICATION 20  
 © COPYRIGHT 20 BY - ALL RIGHTS RESERVED.

REVISIONS				
P	LTR	DESCRIPTION	DATE	APVD
A		INITIAL	13JUN2016	YC CW
A1		ECR-19-004297	20MAR2019	SR CW



SCALE 3:2



NOTE:  
 1. TECHNICAL CHARACTERISTICS:  
 SHELL MATERIAL : BRASS, NICKEL PLATED  
 SEAL MATERIAL : NBR  
 PROTECTION DEGREE : IP65  
 WIRE RANGE : SEE TABLE

注释:  
 1. 技术参数:  
 主体材料: 铜镍镀  
 密封材料: NBR  
 防护等级: IP65  
 夹线范围: 见表格

OBSOLETE

OBSOLETE

T3111320102-000	METAL FLAT GLANDS WITH NORMAL SEAL M32 金属平口接头(带单层密封圈) M32	DCSM-32-SM	23-25	M32X1.5	40	24.8	33.2	8
T3111250102-000	METAL FLAT GLANDS WITH NORMAL SEAL M25 金属平口接头(带单层密封圈) M25	DCSM-25-SM	18-21	M25X1.5	30	20.8	30.3	7
T3111200102-000	METAL FLAT GLANDS WITH NORMAL SEAL M20 金属平口接头(带单层密封圈) M20	DCSM-20-SM	10-12	M20X1.5	20	12	24.8	6
T3111160102-000	METAL FLAT GLANDS WITH NORMAL SEAL M16 金属平口接头(带单层密封圈) M16	DCSM-16-SM	8-10	M16X1.5	17	10.5	24.6	6
T3111480101-000	METAL FLAT GLANDS WITH NORMAL SEAL PG48 金属平口接头(带单层密封圈) PG48	DCSM-48-S	43-45	PG48	64	46	45.5	10
T3111420101-000	METAL FLAT GLANDS WITH NORMAL SEAL PG42 金属平口接头(带单层密封圈) PG42	DCSM-42-S	39-41	PG42	57	42	42.4	10
T3111360101-000	METAL FLAT GLANDS WITH NORMAL SEAL PG36 金属平口接头(带单层密封圈) PG36	DCSM-36-S	33-35	PG36	50	35.2	38.4	9
T3111290101-000	METAL FLAT GLANDS WITH NORMAL SEAL PG29 金属平口接头(带单层密封圈) PG29	DCSM-29-S	23-25	PG29	40	24.8	31.7	6.5
T3111210101-000	METAL FLAT GLANDS WITH NORMAL SEAL PG21 金属平口接头(带单层密封圈) PG21	DCSM-21-S	18-21	PG21	30	20.8	30.3	7
T3111160101-000	METAL FLAT GLANDS WITH NORMAL SEAL PG16 金属平口接头(带单层密封圈) PG16	DCSM-16-S	14-16	PG16	24	16	28.4	6.5
T3111130101-000	METAL FLAT GLANDS WITH NORMAL SEAL PG13.5 金属平口接头(带单层密封圈) PG13.5	DCSM-13.5-S	12-14	PG13.5	22	13.8	25.8	6.5
T3111110101-000	METAL FLAT GLANDS WITH NORMAL SEAL PG11 金属平口接头(带单层密封圈) PG11	DCSM-11-S	10-12	PG11	20	12	25.3	6
T3111090101-000	METAL FLAT GLANDS WITH NORMAL SEAL PG9 金属平口接头(带单层密封圈) PG9	DCSM-9-S	8-10	PG9	17	10.5	23.6	6
ASSEMBLY PART NUMBER 成品料号	ASSEMBLY PART DESCRIPTION 成品描述	TYPE 类型	WIRE RANGE 夹线范围	IG	SW	∅	H	GL

THIS DRAWING IS A CONTROLLED DOCUMENT.

DIMENSIONS:	TOLERANCES UNLESS OTHERWISE SPECIFIED:
mm	0 PLC ±
	1 PLC ±
	2 PLC ±
	3 PLC ±
	4 PLC ±
	ANGLES ±
	FINISH

DWN	YORK CHEN	06 JUN 2016
CHK	KYLE ZENG	06 JUN 2016
APVD	CHRIS WANG	06 JUN 2016
PRODUCT SPEC		
APPLICATION SPEC		
WEIGHT		
CUSTOMER DRAWING		

**STE** TE Connectivity

NAME: METAL FLAT GLANDS WITH NORMAL SEAL

SIZE: A2 CAGE CODE: 00779 DRAWING NO: T3111XX010X000 RESTRICTED TO

SCALE: 2:1 SHEET 1 OF 1 REV: A1