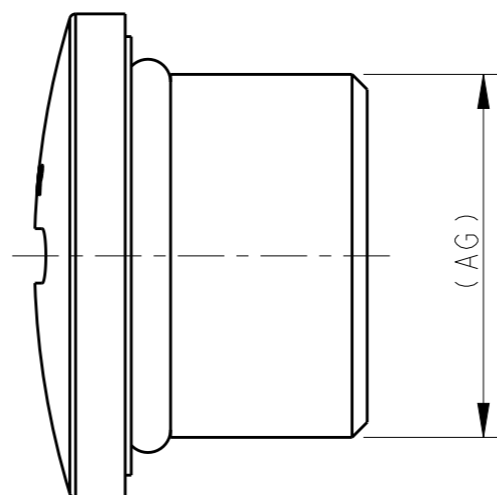
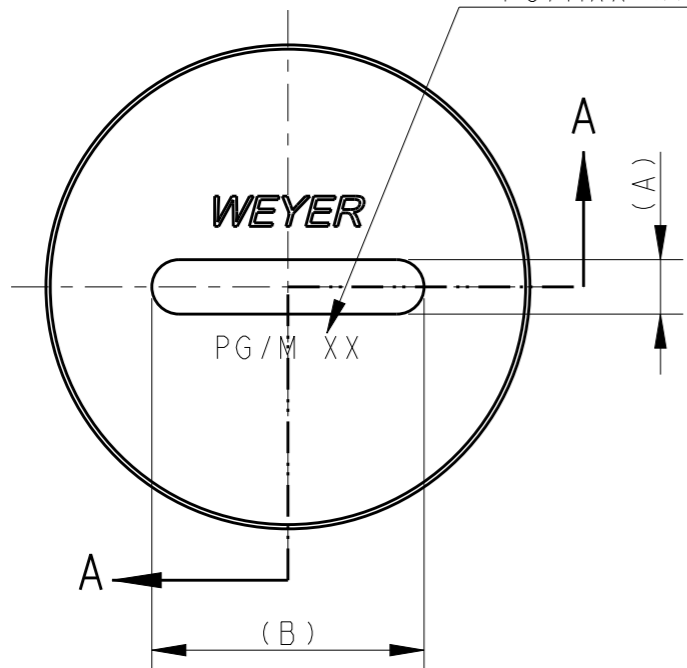


REVISIONS

P	LTR	DESCRIPTION	DATE	DWN	APVD
A		INITIAL RELEASE	21NOV2016	GY	CW
B		ECR-17-007002	15MAY2017	GY	CW

PG/MXX Identification marking
(Location may be at other area)
PG/MXX 标识 (位置可能在其他区域)



NOTES:

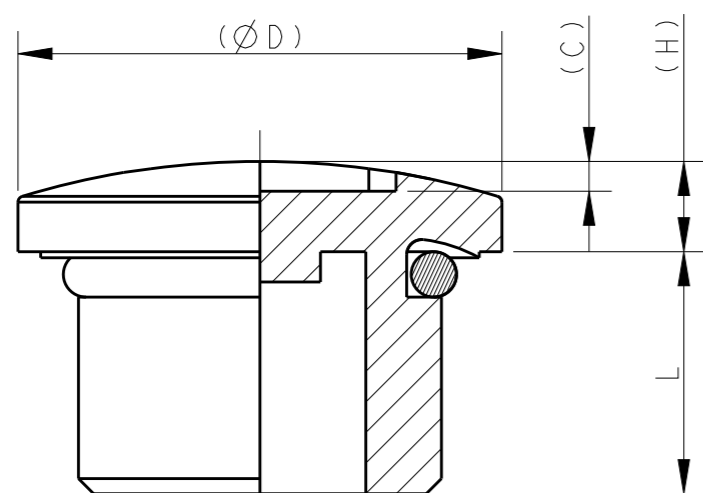
1. TECHNICAL CHARACTERISTICS:

BODY MATERIAL: PA (COLOR: GREY)
SEALER MATERIAL: ELASTIC RUBBER
OPERATION TEMPERATURE: -40°C~+100°C
PROTECTION DEGREE: IP65

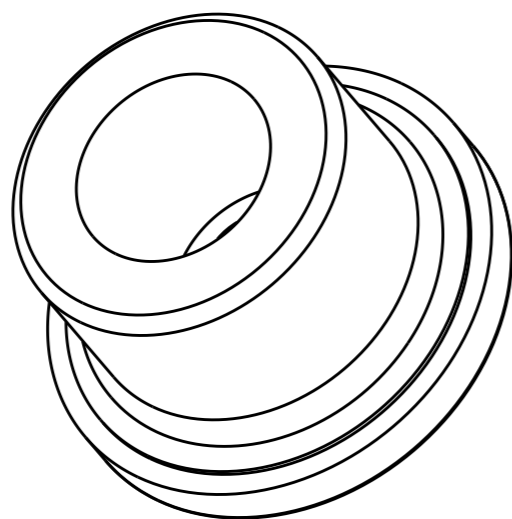
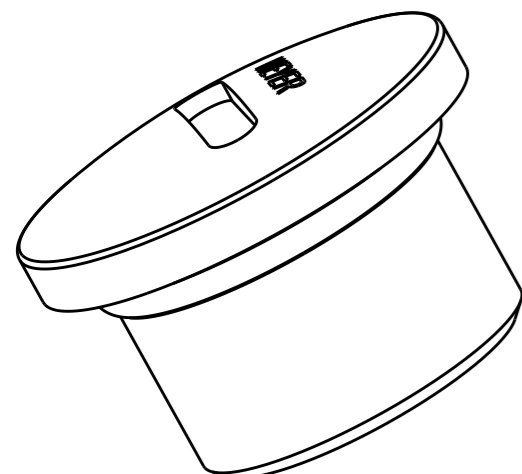
注释:

1. 技术参数:

主体材料: PA (颜色: 灰色)
密封圈材料: 弹性橡胶
工作温度: -40°C~+100°C
防护等级: IP65



SECTION A-A



M63X1.5	70	6	15	3	15	2.5	BLIND-63-PM	塑料堵头M63	T3166630111-000
M50X1.5	57	4	15	2.5	15	2.5	BLIND-50-PM	塑料堵头M50	T3166500111-000
M40X1.5	46	4	13	2.5	15	2.5	BLIND-40-PM	塑料堵头M40	T3166400111-000
M32X1.5	39	4	11	2.5	12	2	BLIND-32-PM	塑料堵头M32	T3166320111-000
M25X1.5	30	4	11	2.5	12	2	BLIND-25-PM	塑料堵头M25	T3166250111-000
M20X1.5	25	3.5	9	2	9	1.8	BLIND-20-PM	塑料堵头M20	T3166200111-000
M16X1.5	20	3	8	2	8	1.8	BLIND-16-PM	塑料堵头M16	T3166160111-000
M12X1.5	16	3	8	2	9	1.8	BLIND-12-PM	塑料堵头M12	T3166120111-000
PG48	69	6	15	3	15	2.5	BLIND-48-P	塑料堵头PG48	T3166480101-000
PG42	62	4	15	2.5	15	2.5	BLIND-42-P	塑料堵头PG42	T3166420101-000
PG36	55	4	13	2.5	15	2	BLIND-36-P	塑料堵头PG36	T3166360101-000
PG29	44	4	11	2.5	12	2	BLIND-29-P	塑料堵头PG29	T3166290101-000
PG21	33	4	11	2.5	12	1.8	BLIND-21-P	塑料堵头PG21	T3166210101-000
PG16	27	3	10	2	9	1.8	BLIND-16-P	塑料堵头PG16	T3166160101-000
PG13.5	25	4	8	2	9	1.8	BLIND-13-P	塑料堵头PG13.5	T3166130101-000
PG11	23	3	8	2	8	1.8	BLIND-11-P	塑料堵头PG11	T3166110101-000
PG9	19	3	8	2	8	1.8	BLIND-9-P	塑料堵头PG9	T3166090101-000
AG	ØD	H	L	C	B	A	DESCRIPTION	PART NUMBER	
							成品描述	成品料号	

THIS DRAWING IS A CONTROLLED DOCUMENT.

DWN 07JUL2015

GINO.YAO

CHK 07JUL2015

CHRIS.WANG

APVD 07JUL2015

XIANG.XU

PRODUCT SPEC

-

APPLICATION SPEC

-

WEIGHT

-

NAME PLASTIC BLIND PLUG

SIZE CAGE CODE DRAWING NO RESTRICTED TO

A3 - ©T3166XX01X1000 -

Customer Drawing SCALE 5:1 SHEET 1 OF 1 REV B

DIMENSIONS:

mm



TOLERANCES UNLESS OTHERWISE SPECIFIED:

0 PLC ±-
1 PLC ±-
2 PLC ±-
3 PLC ±-
4 PLC ±-
ANGLES ±-

MATERIAL

-

-

FINISH

-

-



TE Connectivity