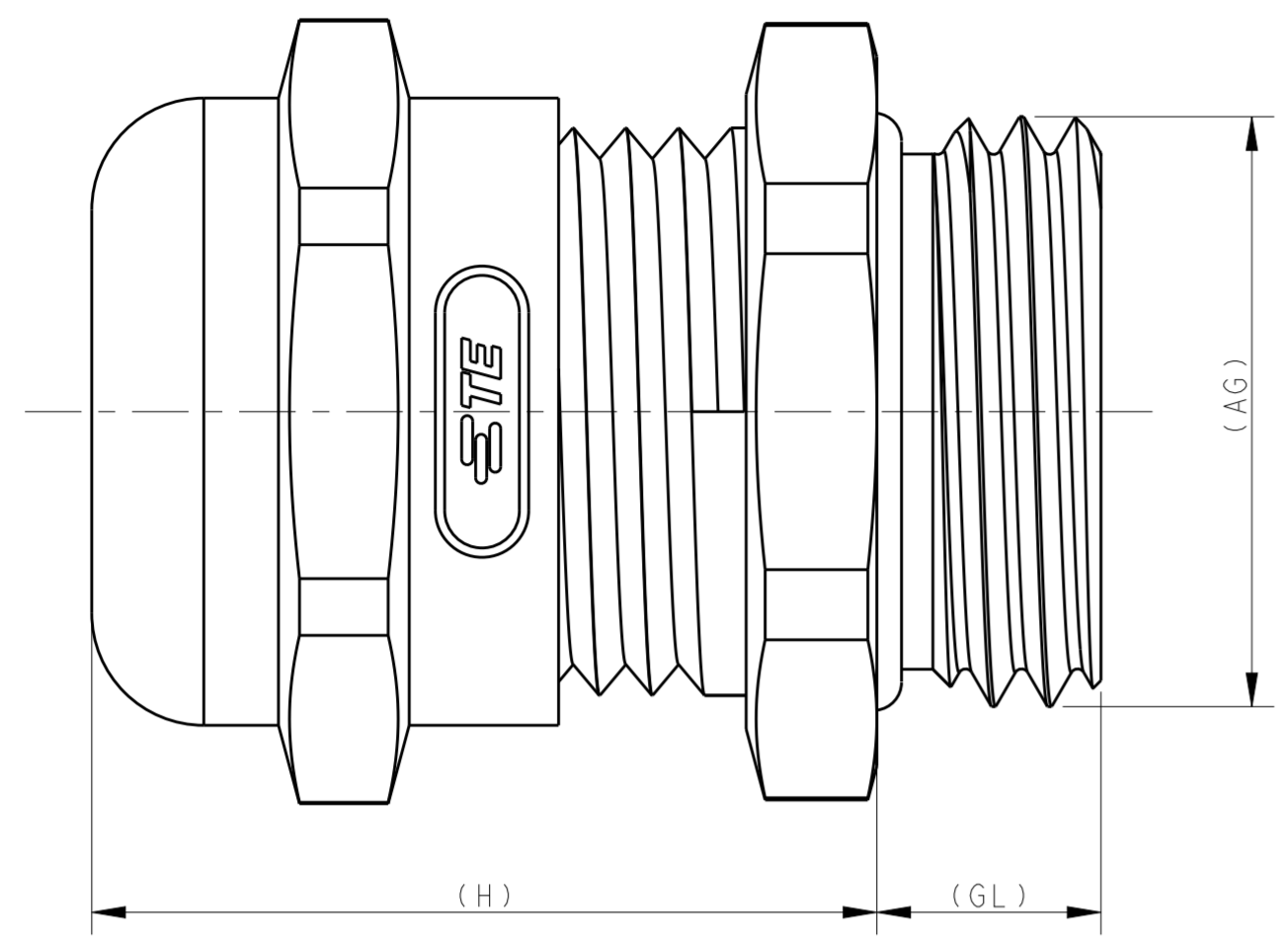
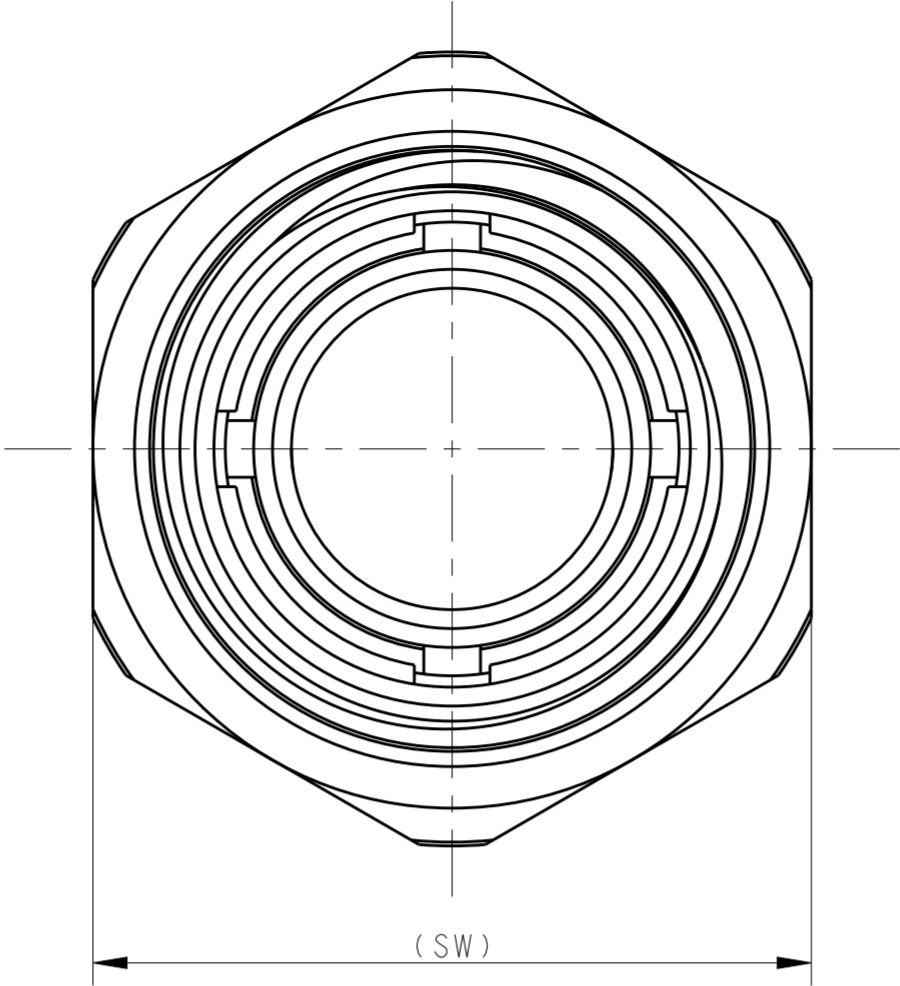


THIS DRAWING IS UNPUBLISHED. RELEASED FOR PUBLICATION 20  
 © COPYRIGHT 20 BY - ALL RIGHTS RESERVED.

REVISIONS					
P	LTR	DESCRIPTION	DATE	DWN	APVD
A		INITIAL RELEASE	06MAY2016	GY	CW
A1		ECR-19-004297	21MAR2019	SR	CW



T360XXXXXXX-000 SHOWN  
带TE LOGO

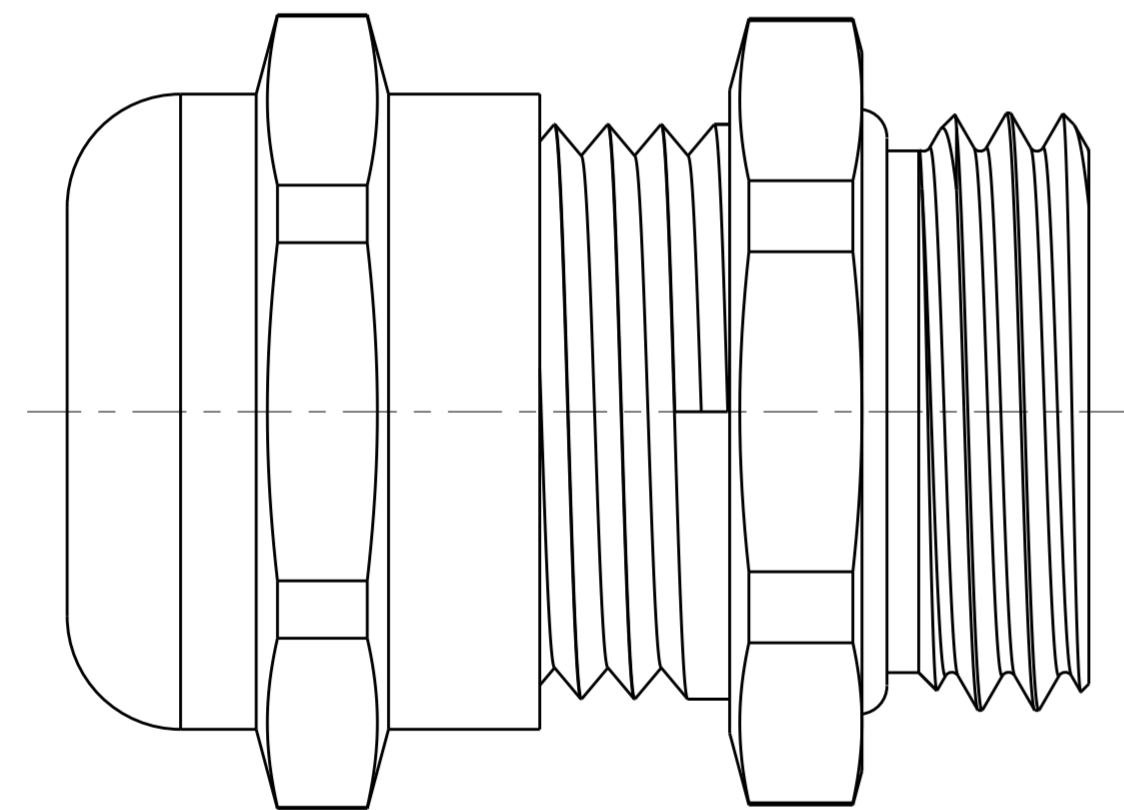


(SW)

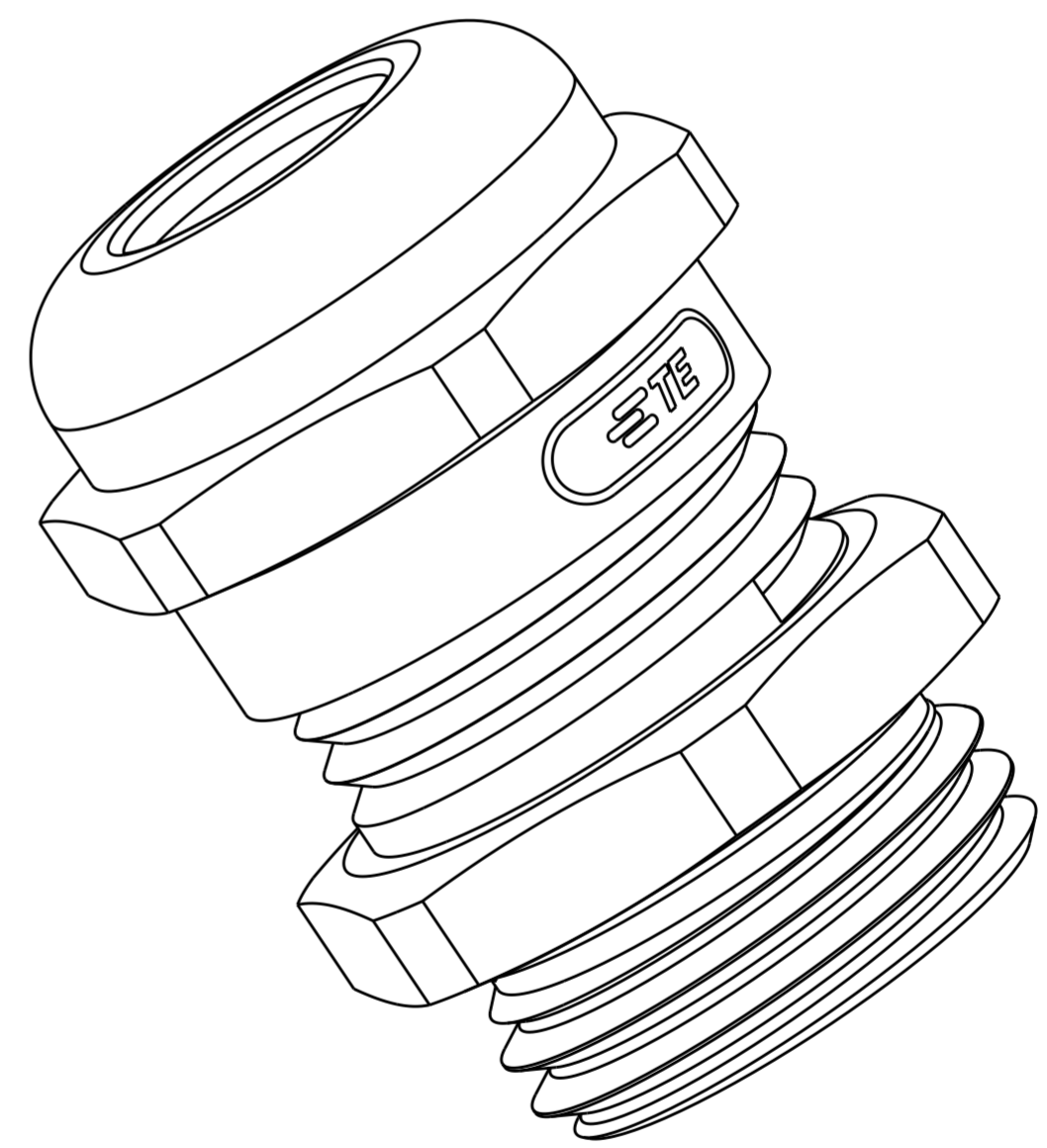
NOTES / 技术指标:

1. TECHNICAL CHARACTERISTICS / 技术参数:  
 SHELL MATERIAL / 主体材料: NICKEL PLATED BRASS / 铜镍镀  
 SEAL MATERIAL / 密封材料: NBR  
 PINCH RING MATERIAL / 夹紧件材料: PA  
 OPERATION TEMPERATURE / 工作温度: -40°C - +100°C  
 PROTECTION DEGREE / 防护等级: IP68  
 WIRE RANGE / 夹线范围: SEE TABLE / 见表格

2. OBSOLETE / 料号已停用



T360XXXXXXX-001 SHOWN, ALL DIMENSIONS ARE  
SAME AS T360XXXXXXX-000, EXCEPT WITHOUT LOGO  
除去不带 TE LOGO, 其余所有尺寸同T360XXXXXXX-000



T360XXXXXXX-000 SHOWN  
带TE LOGO

M16x1.5	4-8	6		21	19	DLX-16-MB	T3609160132-000	T3609160132-001
M16x1.5	5-10	6		21	20	DLX-16-MB	T3609160322-000	T3609160322-001
M16x1.5	4-8		10	21	19	DLX-16-LM	T3609160232-000	T3609160232-001
M16x1.5	5-10		10	21	20	DLX-16-LMB	T3609160242-000	T3609160242-001
M20x1.5	6-12	6		23	22	DLX-20-M	T3609200132-000	T3609200132-001
M40x1.5	28-33		15	37	50	DLX-40-LM	T3609400232-000	T3609400232-001
M32x1.5	18-25		12	31	40	DLX-32-LM	T3609320202-000	T3609320202-001
M32x1.5	13-20		12	31	40	DLX-32-LMT	T3609320212-000	T3609320212-001
AG	WIRE RANG 夹线范围 (∅)	GL	GL (Lengthen 加长)	H	SW	DESCRIPTION 产品描述	PART NUMBER WITH TE LOGO 成品料号(带TE Logo)	PART NUMBER WITHOUT LOGO 成品料号(不带TE Logo)

2

2

2

THIS DRAWING IS A CONTROLLED DOCUMENT.		DWN Gino Yao 06MAY2016	TE Connectivity	
DIMENSIONS: mm		CHK Chris Wang 06MAY2016		
TOLERANCES UNLESS OTHERWISE SPECIFIED:		APVD Xiang Xu 06MAY2016	NAME Metal Cable Gland	
		PRODUCT SPEC	SIZE A2	
MATERIAL		APPLICATION SPEC	CAGE CODE	
FINISH		WEIGHT	DRAWING NO G-T3609XX0XX2000	
		CUSTOMER DRAWING	RESTRICTED TO	
		SCALE 5:1	SHEET 1 OF 1	
			REV A1	