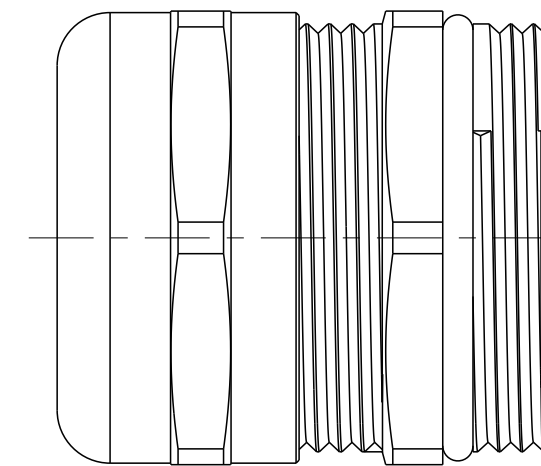
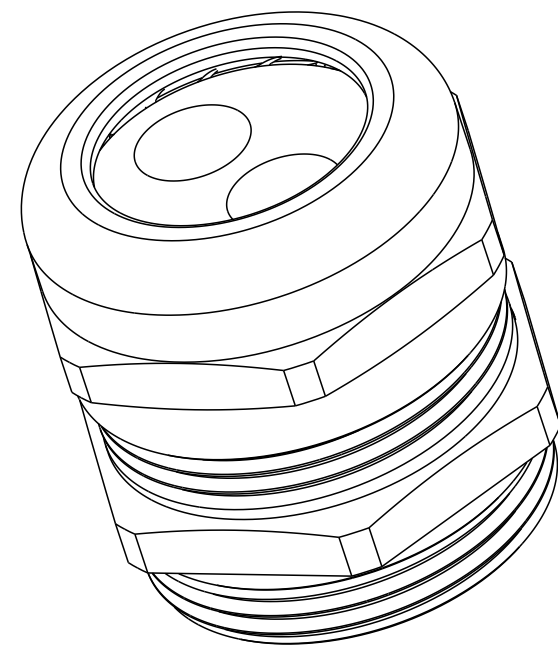
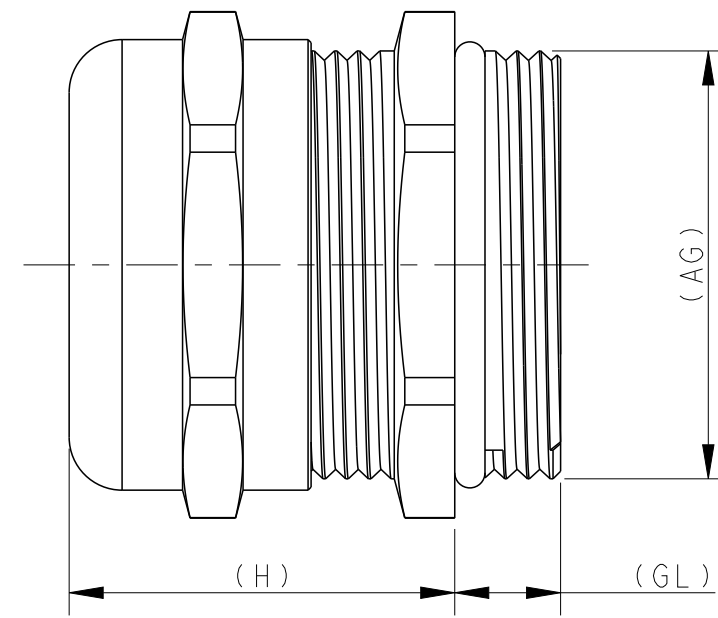
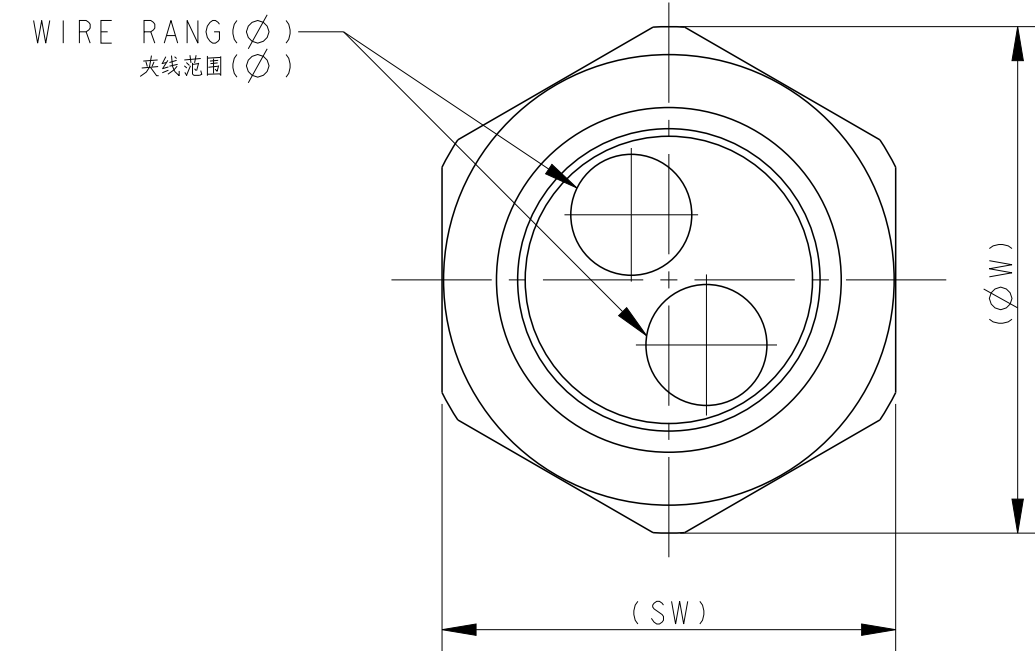


THIS DRAWING IS UNPUBLISHED. RELEASED FOR PUBLICATION 20  
 © COPYRIGHT 20 BY - ALL RIGHTS RESERVED.

TYPE I  
 类型 I

| REVISIONS |     |               |           |     |      |
|-----------|-----|---------------|-----------|-----|------|
| P         | LTR | DESCRIPTION   | DATE      | DWN | APVD |
|           | A   | INITIAL       | 14JUL2016 | GY  | CW   |
|           | B   | ECR-17-004266 | 10APR2017 | GY  | CW   |
|           | B1  | ECR-18-000246 | 11JAN2018 | YC  | CW   |
|           | B2  | ECR-24-224231 | 11NOV2024 | SC  | RB   |



NOTES:

1. TECHNICAL CHARACTERISTICS:  
 SHELL MATERIAL: NICKEL PLATED BRASS  
 SEAL MATERIAL: ELASTIC RUBBER  
 PINCH RING MATERIAL: PA  
 PROTECTION DEGREE: IP65  
 WIRE RANGE: SEE TABLE

技术指标:

1. 技术参数:  
 主体材料: 黄铜镀镍  
 密封件材料: 弹性橡胶  
 夹紧件材料: 尼龙  
 防护等级: IP65  
 夹线范围: 见表格

|                |         |                           |      |      |    |    |                     |                                                                                              |                 |
|----------------|---------|---------------------------|------|------|----|----|---------------------|----------------------------------------------------------------------------------------------|-----------------|
| Obsolete       | M40X1.5 | 1*Ø16/2*Ø9                | 55   | 38   | 8  | 50 | DLX-40-M 1X16/2X9   | MULTIPLE SEALING INSERT METAL CABLE GLAND M40 (1*16/2*9)<br>多孔金属接头M40 (1*16/2*9)             | T3729402916-000 |
|                | M40X1.5 | 5*Ø9                      | 55   | 37   | 8  | 50 | DLX-40-1KM          | MULTIPLE SEALING INSERT METAL CABLE GLAND M40 (5*9), TE LOGO<br>多孔金属接头M40 (5*9), TE LOGO     | T3729400102-000 |
|                | M32X1.5 | 4*Ø9                      | 44   | 31   | 8  | 40 | DLX-32-2KM          | MULTIPLE SEALING INSERT METAL CABLE GLAND M32 (4*9), TE LOGO<br>多孔金属接头M32 (4*9), TE LOGO     | T3729320202-000 |
| Obsolete       | M32X1.5 | 6*Ø6.5                    | 44   | 33   | 8  | 40 | DLX-32-1KM          | MULTIPLE SEALING INSERT METAL CABLE GLAND M32 (6*6.5)<br>多孔金属接头M32 (6*6.5)                   | T3729320102-000 |
|                | M25X1.5 | 2*Ø8                      | 33.5 | 26   | 7  | 30 | DLX-25-4KM          | MULTIPLE SEALING INSERT METAL CABLE GLAND M25 (2*8)<br>多孔金属接头M25 (2*8)                       | T3729250402-000 |
| TYPE I<br>类型 I | M25X1.5 | 4*Ø6                      | 33.5 | 26   | 7  | 30 | DLX-25-1KM          | MULTIPLE SEALING INSERT METAL CABLE GLAND M25 (4*6)<br>多孔金属接头M25 (4*6)                       | T3729250102-000 |
|                | M20X1.5 | 3*Ø4                      | 24.5 | 23.5 | 7  | 22 | DLX-20-KM           | MULTIPLE SEALING INSERT METAL CABLE GLAND M20 (3*4)<br>多孔金属接头M20 (3*4)                       | T3729200102-000 |
|                | PG29    | 3*Ø10                     | 44   | 30   | 8  | 40 | DLX-29-MS 3*10      | MULTIPLE SEALING INSERT METAL CABLE GLAND PG29 (3*10), TE LOGO<br>多孔金属接头PG29 (3*10), TE LOGO | T3729290401-000 |
| Obsolete       | PG29    | 3*Ø9                      | 44.5 | 30.7 | 8  | 40 | DLX-29-MS 3*9       | MULTIPLE SEALING INSERT METAL CABLE GLAND PG29 (3*9)<br>多孔金属接头PG29 (3*9)                     | T3729290301-000 |
|                | PG29    | 4*Ø9                      | 44   | 33   | 8  | 40 | DLX-29-MS 4*9       | MULTIPLE SEALING INSERT METAL CABLE GLAND PG29 (4*9)<br>多孔金属接头PG29 (4*9)                     | T3729290201-000 |
|                | PG21    | 2*Ø8                      | 33.5 | 26   | 7  | 30 | DLX-21-3KMS         | MULTIPLE SEALING INSERT METAL CABLE GLAND PG21 (2*8)<br>多孔金属接头PG21 (2*8)                     | T3729210301-000 |
| TYPE I<br>类型 I | AG      | WIRE RANG (Ø)<br>夹线范围 (Ø) | ØW   | H    | GL | SW | DESCRIPTION<br>产品描述 | PART NUMBER<br>成品料号                                                                          |                 |

THIS DRAWING IS A CONTROLLED DOCUMENT.

DWN: GINO.YAO 14JUL2016  
 CHK: CHRIS.WANG 14JUL2016  
 APVD: XIANG.XU 14JUL2016

**STE** TE Connectivity

NAME: MULTIPLE SEALING INSERT METAL CABLE GLAND

SIZE: A2 CAGE CODE: - DRAWING NO: T3729XXXXX000 RESTRICTED TO: -

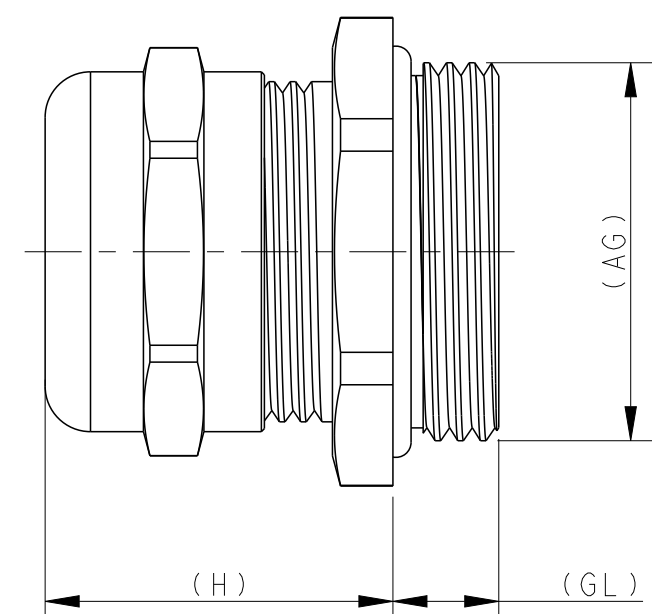
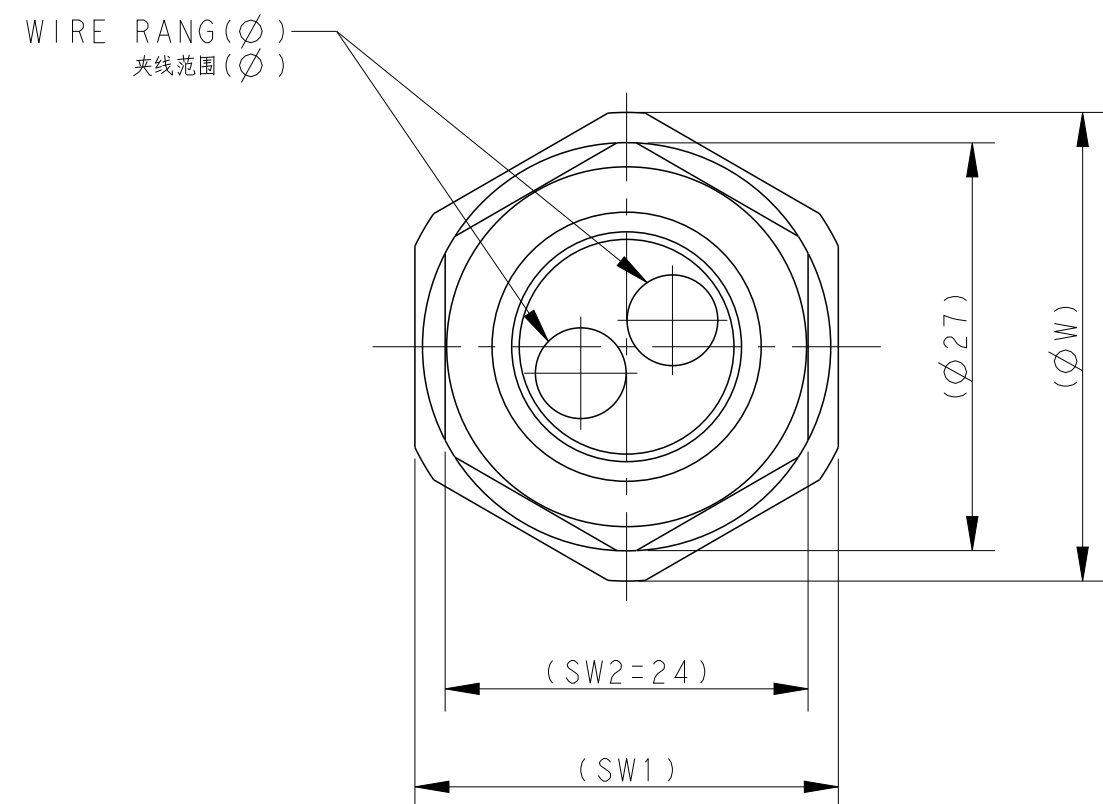
MATERIAL: - DIMENSIONS: mm TOLERANCES UNLESS OTHERWISE SPECIFIED: 0 PLC ±, 1 PLC ±, 2 PLC ±, 3 PLC ±, 4 PLC ±, ANGLES ±, FINISH -

CUSTOMER DRAWING SCALE: 1:1 SHEET: 1 OF 2 REV: B2

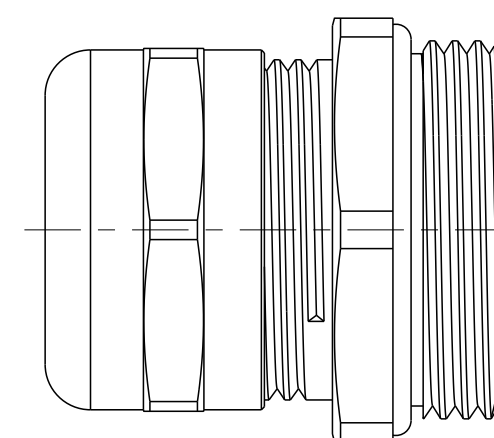
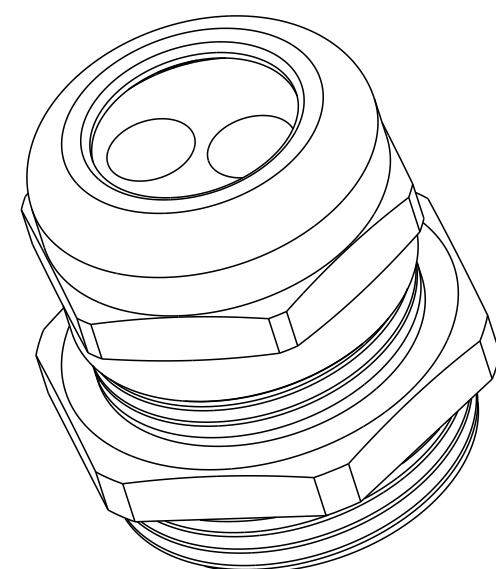
THIS DRAWING IS UNPUBLISHED. RELEASED FOR PUBLICATION 20  
 © COPYRIGHT 20 BY - ALL RIGHTS RESERVED.

| REVISIONS |     |               |           |     |      |
|-----------|-----|---------------|-----------|-----|------|
| P         | LTR | DESCRIPTION   | DATE      | DWN | APVD |
| -         |     | SEE SHEET 1/2 | -         | -   | -    |
| B2        |     | ECR-24-224231 | 11NOV2024 | SC  | RB   |
|           |     |               |           |     |      |
|           |     |               |           |     |      |

TYPE II  
 类型 II



NOTES:  
 SEE SHEET 1/2  
 技术指标:  
 见1/2页



|                  |         |                         |    |    |    |     |                     |                                                                       |                     |
|------------------|---------|-------------------------|----|----|----|-----|---------------------|-----------------------------------------------------------------------|---------------------|
| TYPE II<br>类型 II | M25X1.5 | 2*∅6                    | 31 | 23 | 7  | 28  | DLX-25-3KM          | MULTIPLE SEALING INSERT METAL CABLE GLAND M25 (2*6)<br>多孔金属接头M25(2*6) | T3729250302-000     |
| TYPE<br>类型       | AG      | WIRE RANG(∅)<br>夹线范围(∅) | ∅W | H  | GL | SWI | DESCRIPTION<br>产品描述 |                                                                       | PART NUMBER<br>成品料号 |

THIS DRAWING IS A CONTROLLED DOCUMENT.

|      |            |           |
|------|------------|-----------|
| DWN  | GINO.YAO   | 14JUL2016 |
| CHK  | CHRIS.WANG | 14JUL2016 |
| APVD | XIANG.XU   | 14JUL2016 |

NAME: MULTIPLE SEALING INSERT METAL CABLE GLAND

STE TE Connectivity

|      |           |                  |               |
|------|-----------|------------------|---------------|
| SIZE | CAGE CODE | DRAWING NO       | RESTRICTED TO |
| A2   | -         | ©-T3729XXXXXX000 | -             |

CUSTOMER DRAWING SCALE 1:1 SHEET 2 OF 2 REV B2