

THIS DRAWING IS UNPUBLISHED. RELEASED FOR PUBLICATION 20  
 © COPYRIGHT 20 BY - ALL RIGHTS RESERVED.

REVISIONS				
P	LTR	DESCRIPTION	DATE	APVD
A		INITIAL RELEASE	25FEB2016	N.P X.X

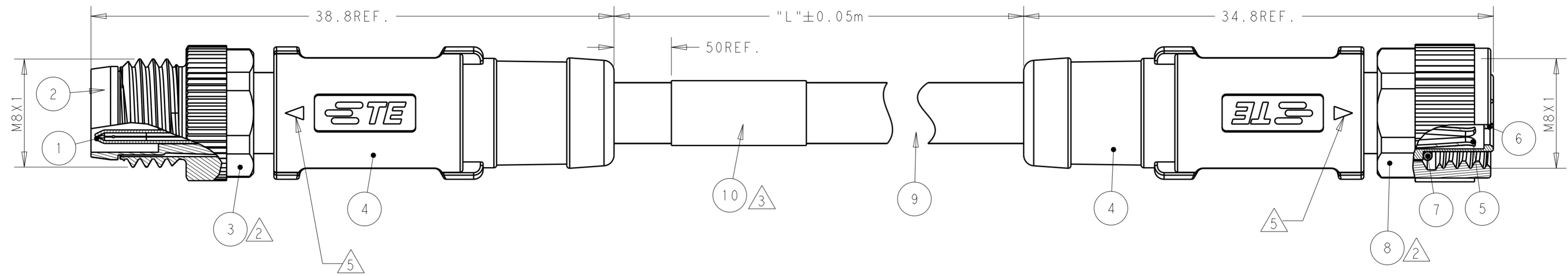


TABLE 1

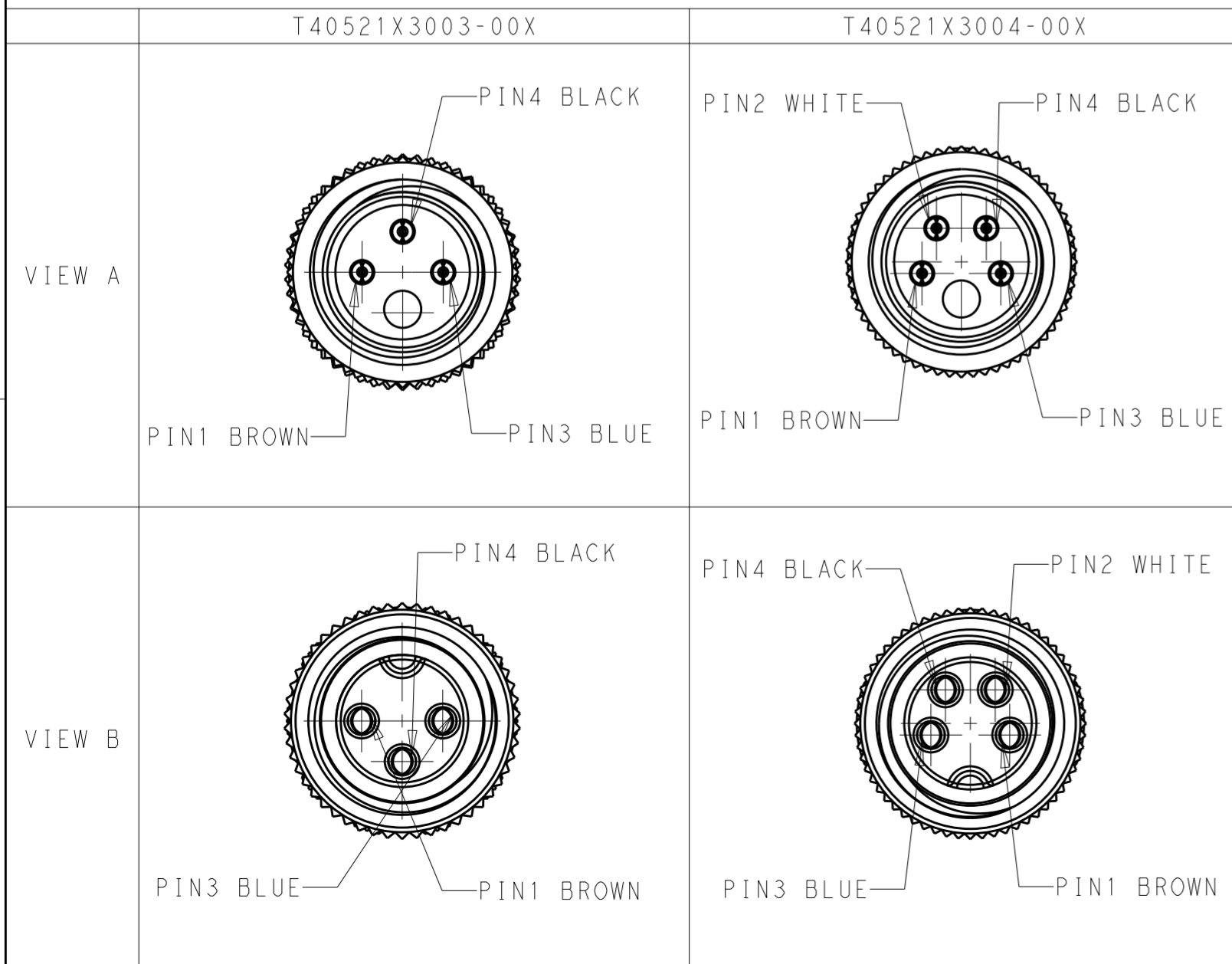
TECHNICAL DATA	T40521X3003-00X	T40521X3004-00X
RATED VOLTAGE	60V	30V
RATED CURRENT		3A
POLLETION DEGREE		3
OVERVOLTAGE CATEGORY		II
MATERIAL GROUP		II
DEGREE OF PROTECTION		IP67

NOTES:

- 1. TECHNICAL DATA: SEE TABLE 1
- 2. RECOMMEND TORQUE 0.4Nm
- 3. TE LABEL AREA.
- 4. -\*\* : CABLE LENGHT. -0.5:0.5m, -1.0:1.0m, -1.5:1.5m...
- 5. INSERT MARK FOR MATING.
- 6. ALL PRODUCT MUST COMPLIANCE WITH ROHS AND REACH.

注意事项

- 1. 技术参数：见表1
- 2. 推荐扭矩0.4Nm；
- 3. TE 标签位置；
- 4. -\*\*线长：-0.5:0.5m, -1.0:1.0m, -1.5:1.5m
- 5. 产品对插标示；
- 6. 产品必须符合ROHS与REACH.



ITEM	DESCRIPTION	QUANTITY
10	TE LABEL	10
9	CABLE	9
8	COPPER ALLOY NUT	8
7	RUBBER O-RING	7
6	PA66 HOUSING	6
5	COPPER ALLOY CONTACT	5
4	POLYURETHANE OVER-MOLDING	4
3	COPPER ALLOY COUPLING NUT	3
2	BALCK COLOR PA66 HOUSING	2
1	GOLD FLASH COPPER ALLOY CONTACT	1

WIRE CHARACTERISTIC	LENGTH "L"	RECOMMEND OPERATION TEMPERATURE FOR CABLE	JACKET COLOR	JACKET MATERIAL	TYPE	POS.	PART NUMBER	
WIRES: 0.25mm <sup>2</sup> (24AWG)	-001: 0.5m	FIXED: -25°C~80°C FLXIBLE: -10°C~80°C	GRAY	PUR (UL)	RPC-M8-4MS-**-M8-4FS-PUR	4	T4052123004-00X	
	-002: 1.0m				RPC-M8-3MS-**-M8-3FS-PUR	3	T4052123003-00X	
	-003: 1.5m							
	-004: 3.0m	FIXED: -10°C~80°C FLXIBLE: -5°C~80°C	BLACK	PVC (UL)	RPC-M8-4MS-**-M8-4FS-PVC	4	T4052113004-00X	
	-005: 5.0m				RPC-M8-3MS-**-M8-3FS-PVC	3	T4052113003-00X	
	-006: 7.0m							
	-007: 10.0m							

THIS DRAWING IS A CONTROLLED DOCUMENT.

DIMENSIONS: mm

TOLERANCES UNLESS OTHERWISE SPECIFIED:

0 PLC	±
1 PLC	±0.5
2 PLC	±0.35
3 PLC	±
4 PLC	±

ANGLES FINISH

MATERIAL: TBD

APVD: Xiang Xu

108-106140

APPLICATION SPEC

WEIGHT: -

CUSTOMER DRAWING

SCALE: 1:1

SHEET: 1 OF 1

REV: A

STE TE Connectivity

M8 CABLE ASSEMBLY UNSHIELDED TYPE DOUBLE ENDED